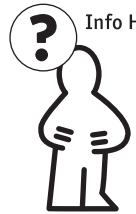




Safety Instructions



0,1,2,3,4,6,7,9,11,
15,18,22,25,26,27



Info Hotline **+49 (0) 5041 998 389**

Mon.-Do. 7⁰⁰ - 20⁰⁰

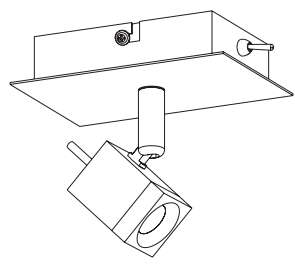
Fr. 7⁰⁰ - 17⁰⁰

Paulmann Licht GmbH
31832 Springe / Germany
www.paulmann.com

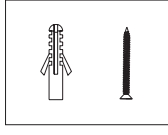
Art.-Nr.:
601.18

(+MA 173)

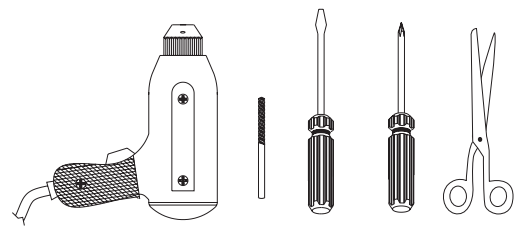
PWA 06/11



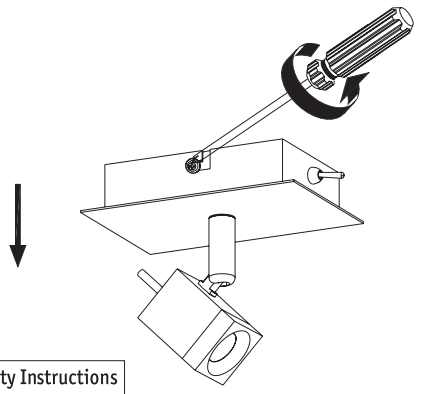
Incl.



X1

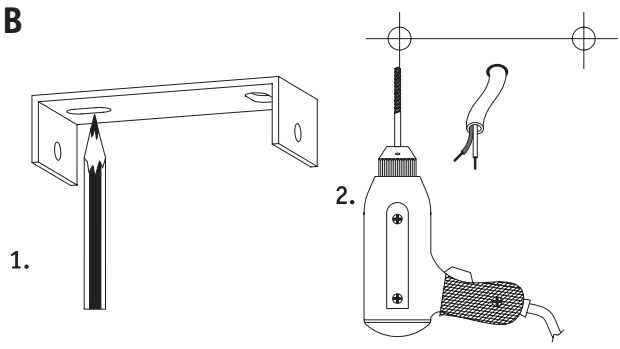


A



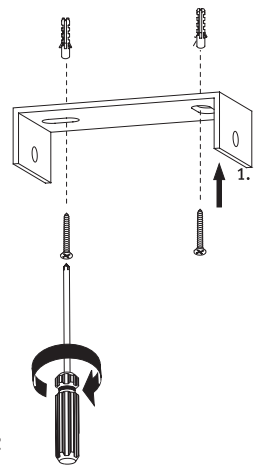
Safety Instructions
Nr.0,1,2

B



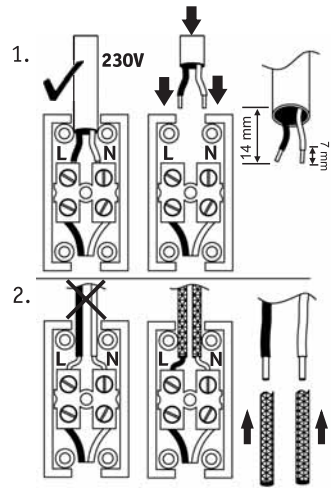
Safety Instructions
Nr.0,1,2

C



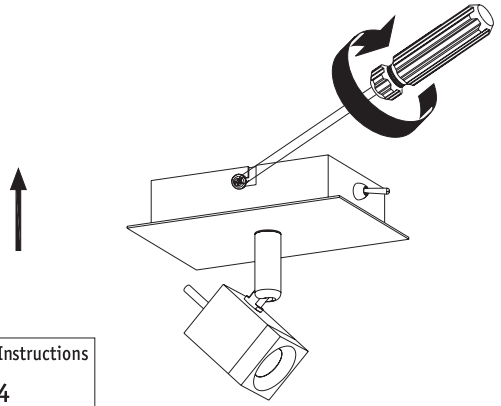
Safety Instructions
Nr. 4

D



Safety Instructions
Nr. 3,4

E



Safety Instructions
Nr. 4

A,B,C,D,E

