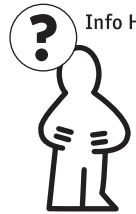




Safety Instructions



0,1,2,3,4,6,7,9,11,
15,18,22,25,26,27



Info Hotline **+49 (0) 5041 998 389**

Mon.-Do. 7⁰⁰ - 20⁰⁰

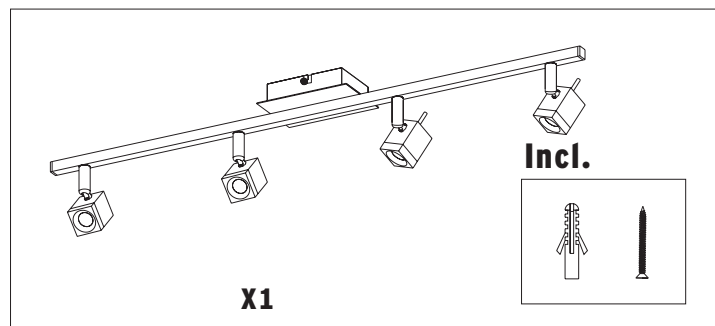
Fr. 7⁰⁰ - 17⁰⁰

Paulmann Licht GmbH
31832 Springe / Germany
www.paulmann.com

Art.-Nr.:
601.21

(+MA 173)

PWA 06/11



X1

