

## Safety Instructions



0,1,2,4,6,7,8,9,11,  
15,18,20,22,25,27



Info Hotline

+49 (0) 5041 998 389

Mon.-Do. 7<sup>00</sup>-20<sup>00</sup>

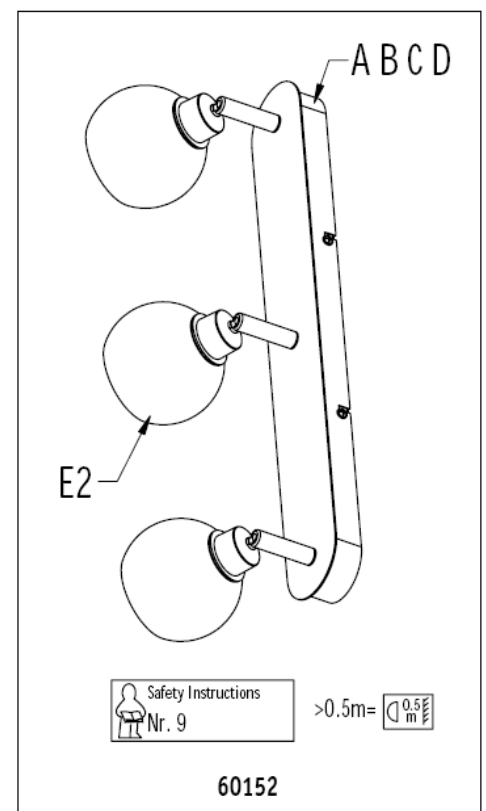
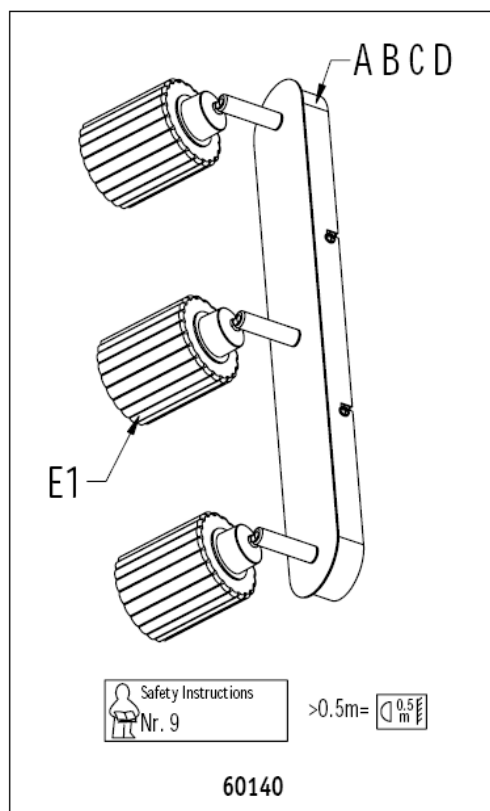
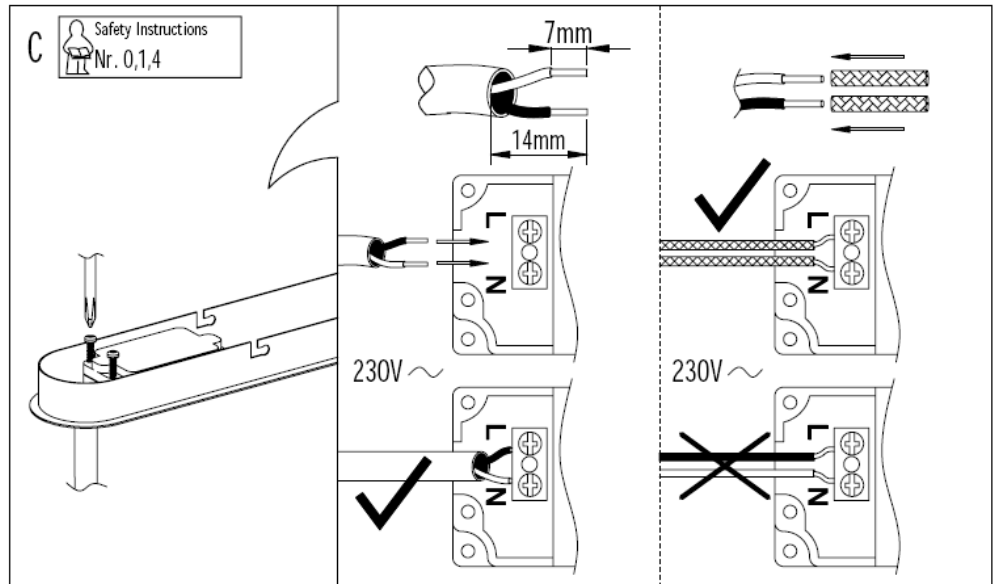
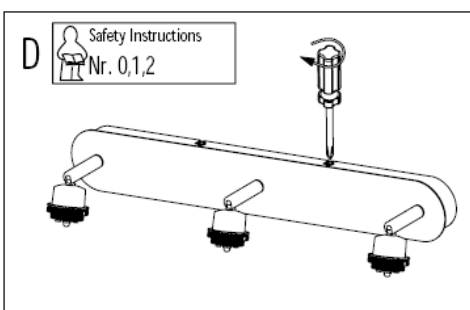
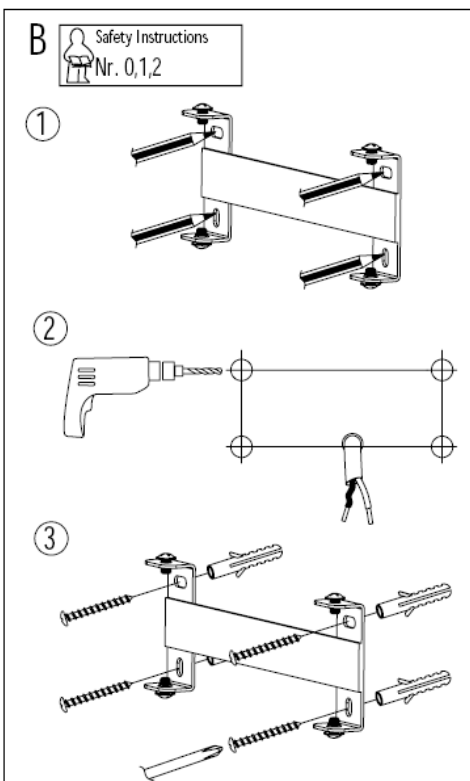
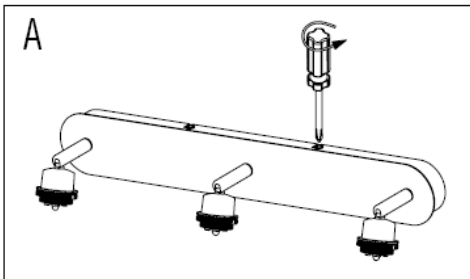
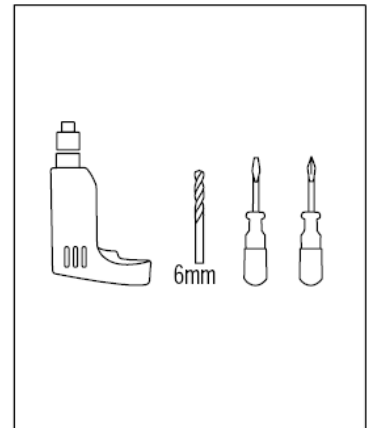
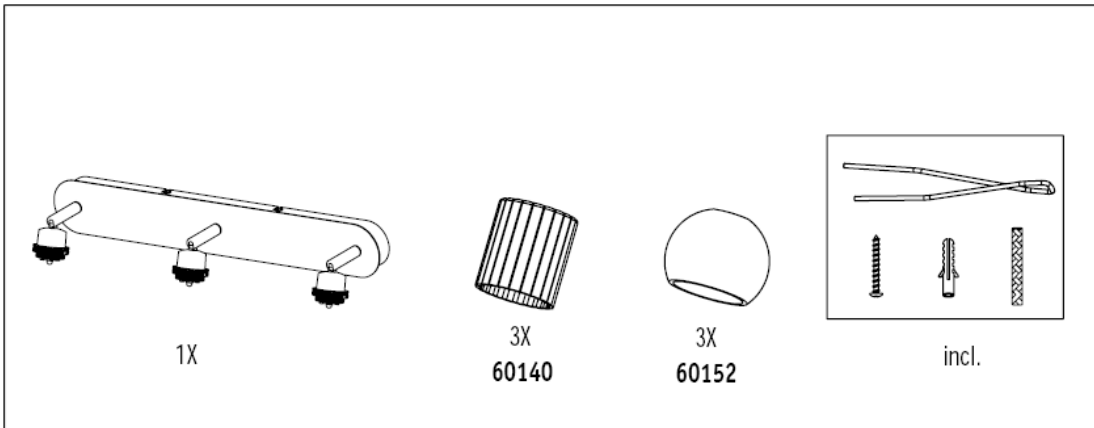
Fr. 7<sup>00</sup>-17<sup>00</sup>

Paulmann Licht GmbH  
31832 Springe / Germany  
www.paulmann.com

Art.-Nr.:  
60140  
60152

(+MA 173)

PDG 04/11





0,1,2,4,6,7,8,9,11,  
15,18,20,22,25,27



Info Hotline

+49 (0) 5041 998 389

Mon.-Do. 7<sup>00</sup>-20<sup>00</sup>

Fr. 7<sup>00</sup>-17<sup>00</sup>

Paulmann Licht GmbH  
31832 Springe / Germany  
www.paulmann.com

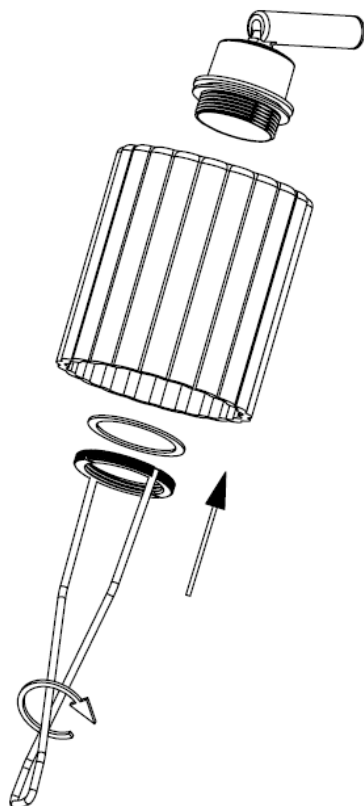
Art.-Nr.:  
60140  
60152

(+MA 173)

PDG 04/11

E1

Safety Instructions  
Nr. 0,1



E2

Safety Instructions  
Nr. 0,1

