



# Safety Instructions



0, 1, 2, 4, 6, 7, 11,  
15, 19, 22, 27



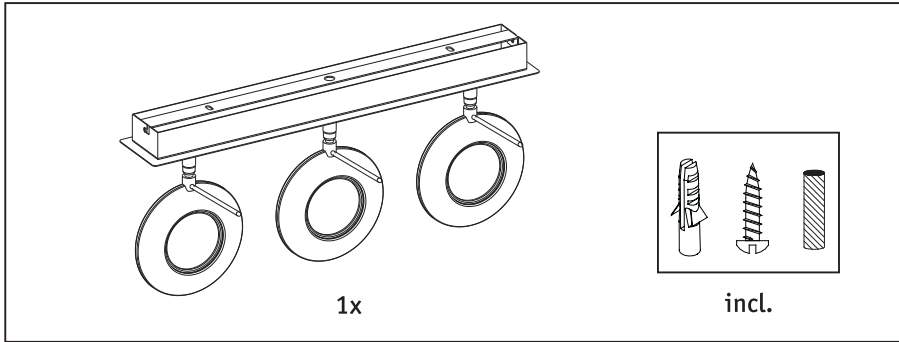
Info Hotline **+49 (0) 5041 998 389**

Mon. - Do. 7<sup>00</sup> - 20<sup>00</sup>  
Fr. 7<sup>00</sup> - 17<sup>00</sup>

Paulmann Licht GmbH  
31832 Springe / Germany  
www.paulmann.com

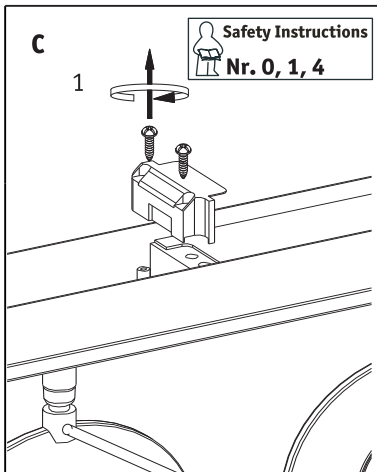
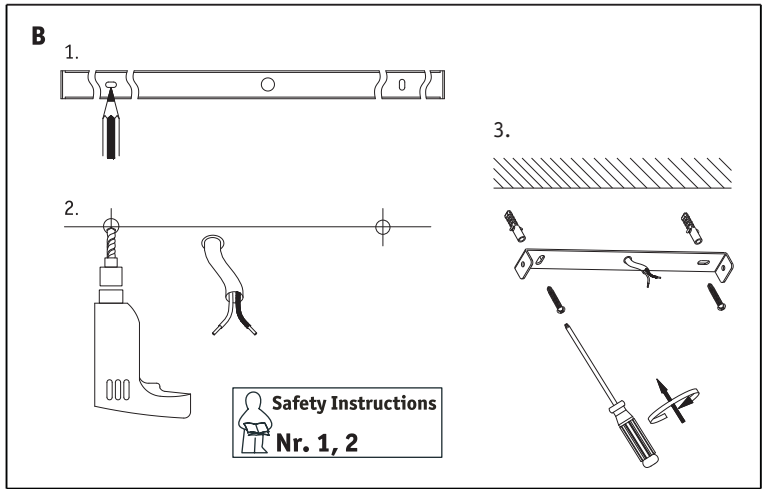
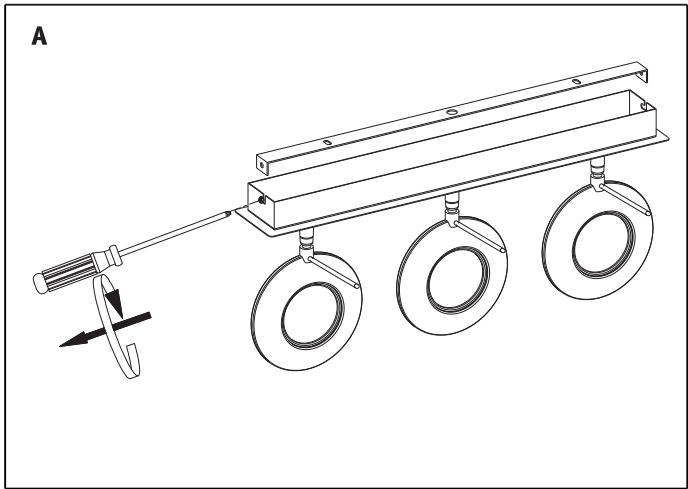
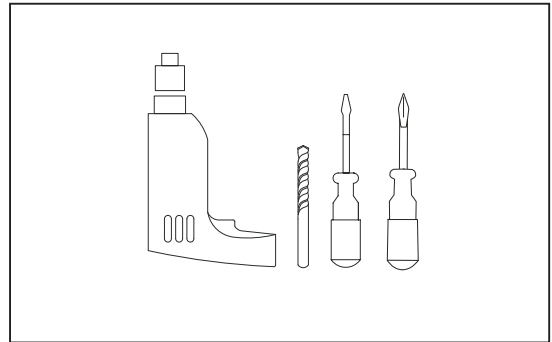
Art.-Nr.:  
**602.49**  
**602.52**  
**602.55**  
(+MA 173)

PMY 06/13



1x

incl.



Safety Instructions  
Nr. 0, 1, 4

