



Safety Instructions



0, 1, 2, 3, 4, 6, 7, 8, 9, 11,
15, 18, 22, 25, 26, 27



Info Hotline

+49 (0) 5041 998 389

Mon. - Do. 7⁰⁰ - 20⁰⁰

Fr. 7⁰⁰ - 17⁰⁰

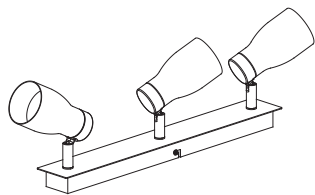


Paulmann Licht GmbH
31832 Springe / Germany
www.paulmann.com

Art.-Nr.:
662.70

(+MA 173)

PEA 11/13



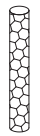
1X



3X



1X



2X



2X

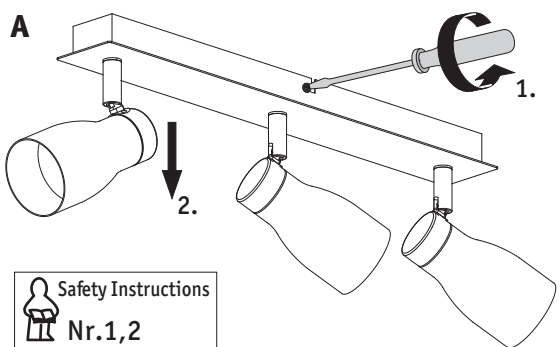
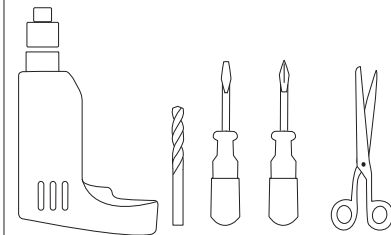


2X

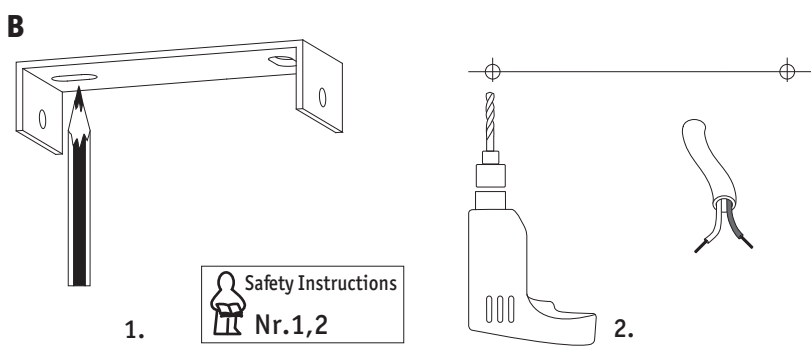
incl.
3 x 3.5W
GU10



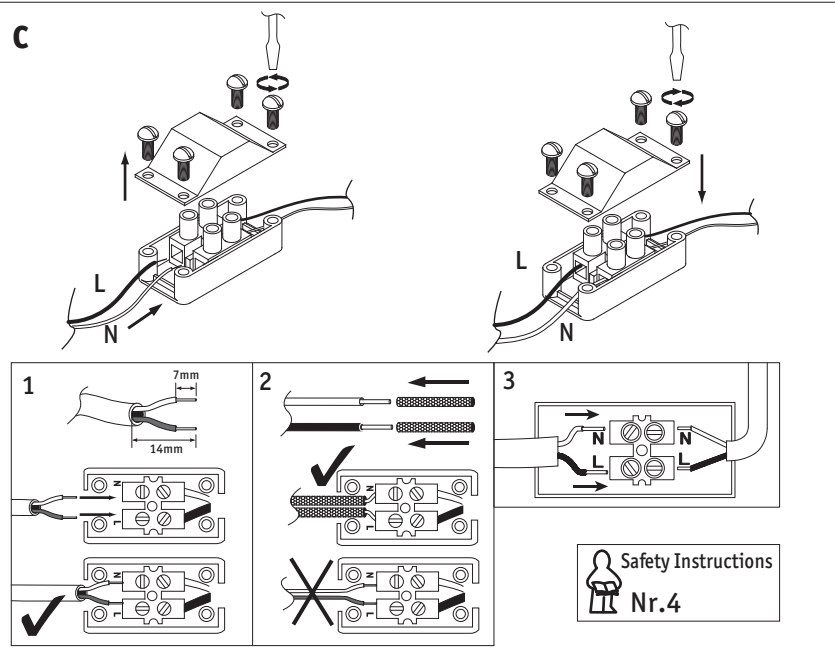
Paulmann
Art.-Nr. 282.19



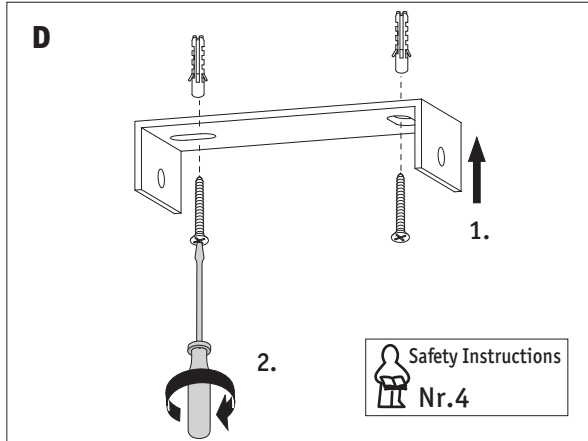
Safety Instructions
Nr.1,2



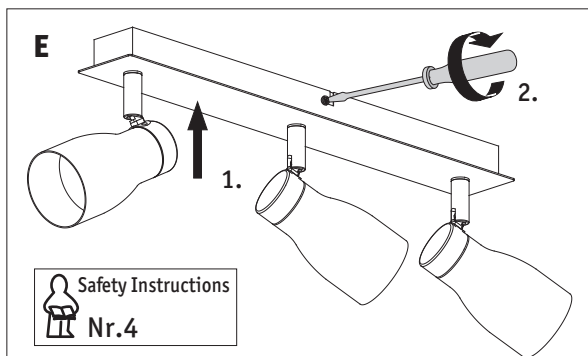
Safety Instructions
Nr.1,2



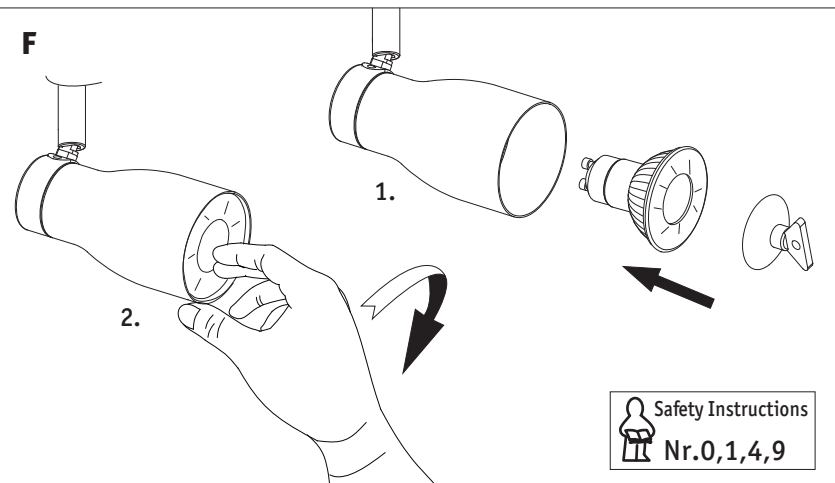
Safety Instructions
Nr.4



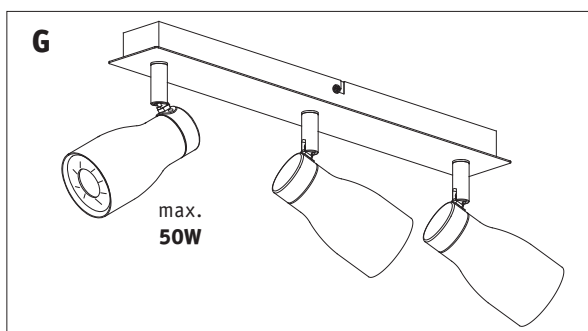
Safety Instructions
Nr.4



Safety Instructions
Nr.4



Safety Instructions
Nr.0,1,4,9



max.
50W