

Safety Instructions



0, 1, 2, 4, 6, 7, 9, 11,
15, 18, 22, 25, 27

Info Hotline

+49 (0) 5041 998 389

Mon. - Do. 7⁰⁰ - 20⁰⁰

Fr. 7⁰⁰ - 17⁰⁰

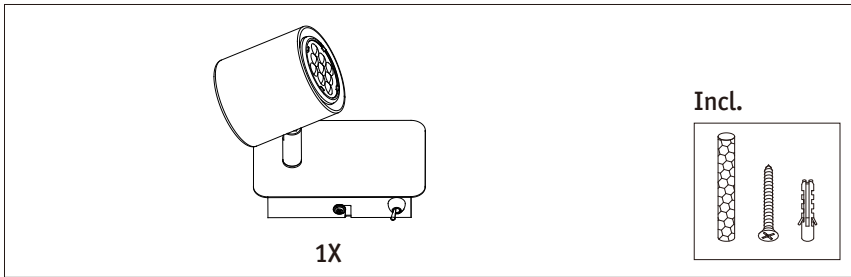


Paulmann Licht GmbH
31832 Springe / Germany
www.paulmann.com

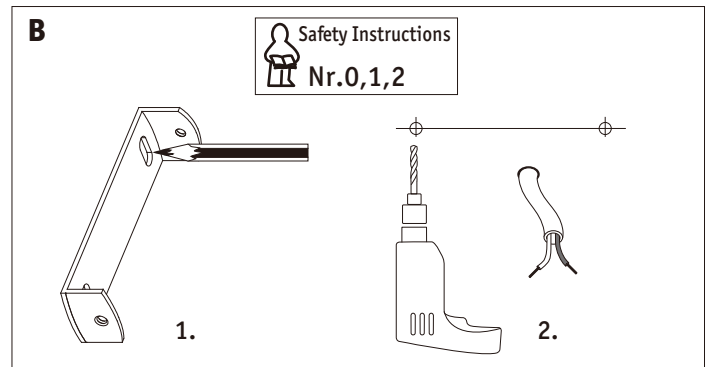
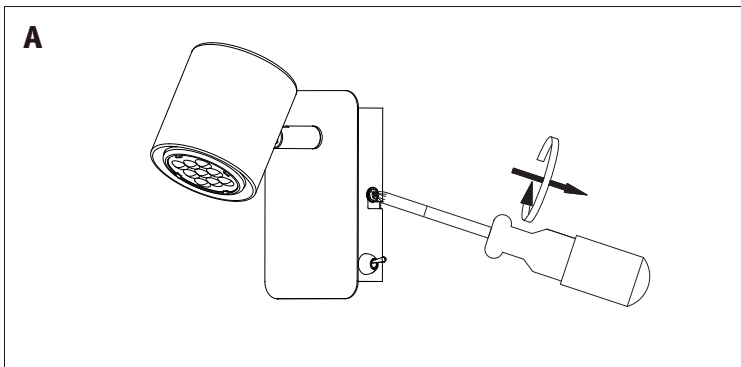
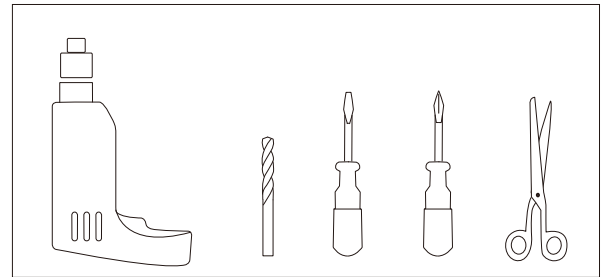
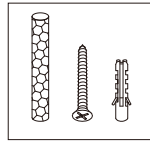
Art.-Nr.:
603.87

(+MA 173)

PEA 10/14



Incl.



Safety Instructions
Nr. 0, 1, 2

