



Safety Instructions



0, 1, 2, 3, 4, 5b, 6, 7, 8, 9,
11, 12, 13, 15, 18, 20, 21,
22, 23, 25, 26, 27



+49 (0) 5041 998 389

Mon. - Do. 7⁰⁰ - 20⁰⁰

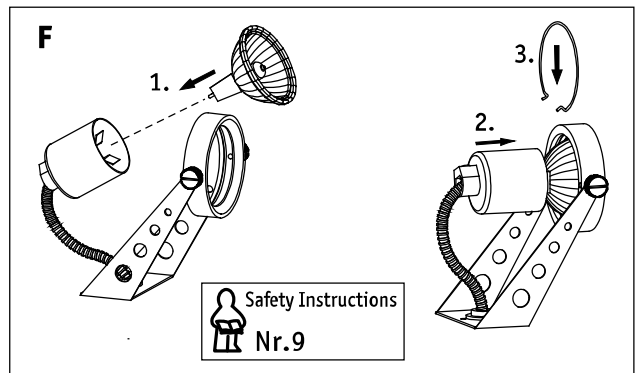
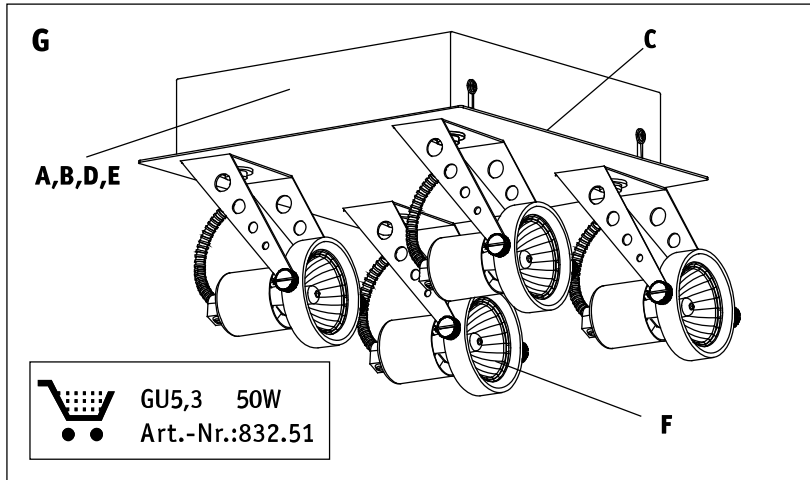
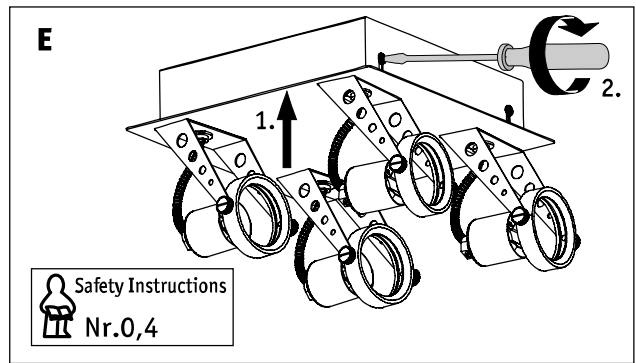
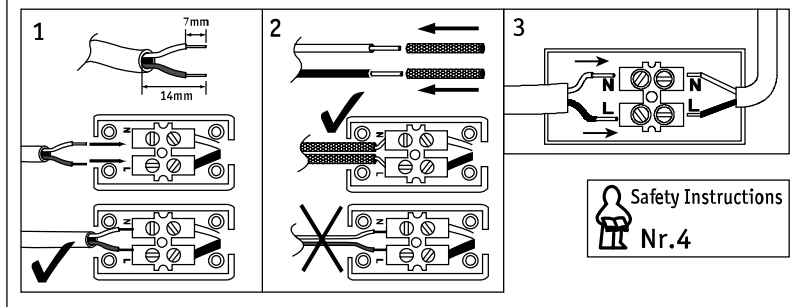
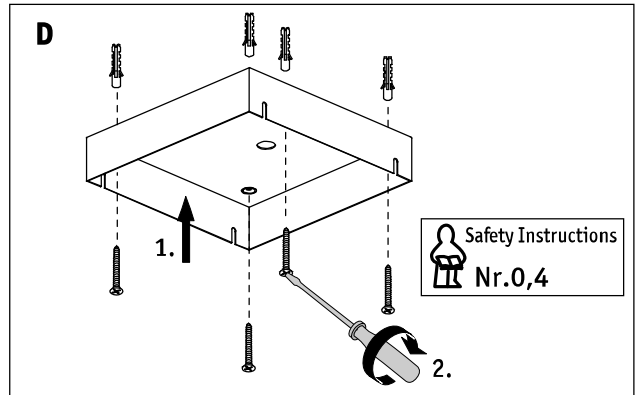
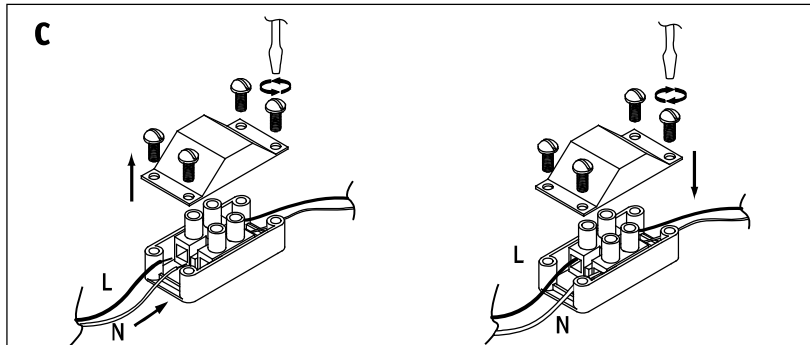
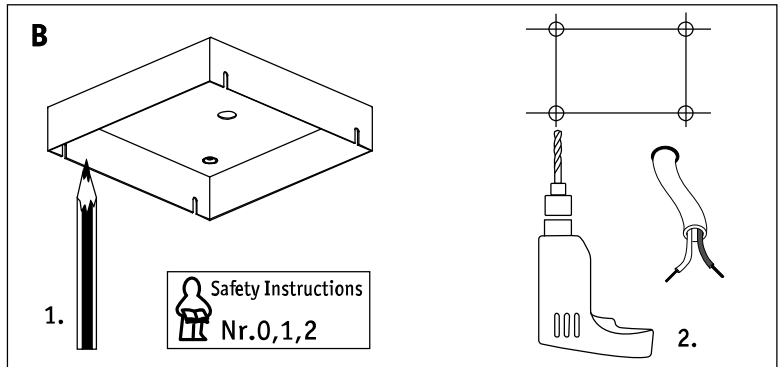
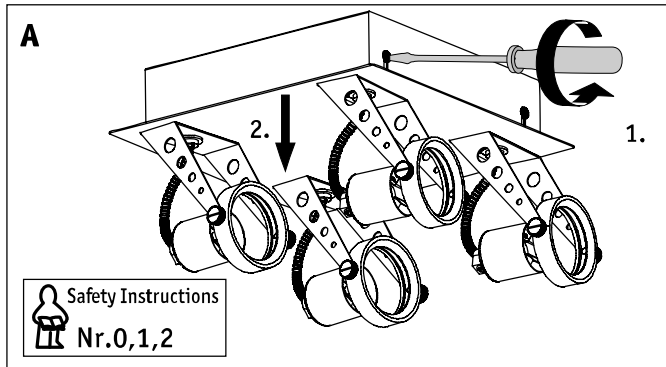
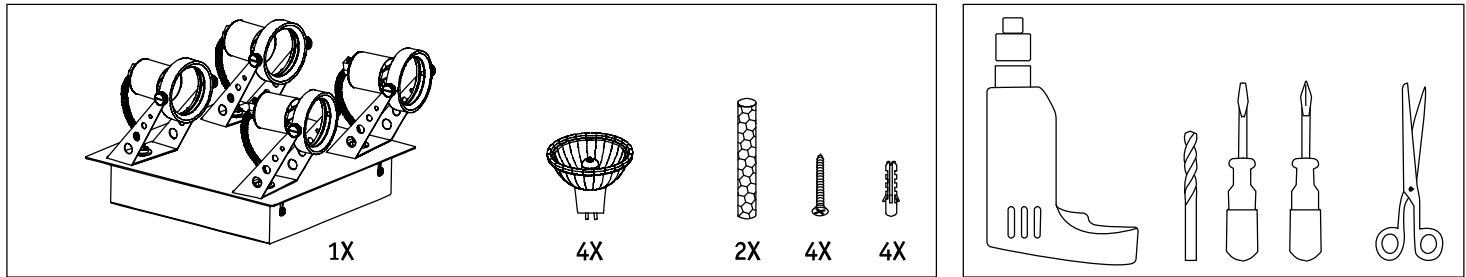
Fr. 7⁰⁰ - 17⁰⁰

Paulmann Licht GmbH
31832 Springe / Germany
www.paulmann.com

Art.-Nr.:
66301

(+MA 173)

PEA 08/09



GU5,3 50W
Art.-Nr.:832.51