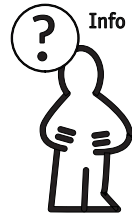




# Safety Instructions



0, 1, 2, 4, 6, 7, 8, 9, 11, 15, 22, 25, 27



Info Hotline

+49 (0) 5041 998 389

Mon. - Do. 7<sup>00</sup> - 20<sup>00</sup>

Fr. 7<sup>00</sup> - 17<sup>00</sup>

Paulmann Licht GmbH

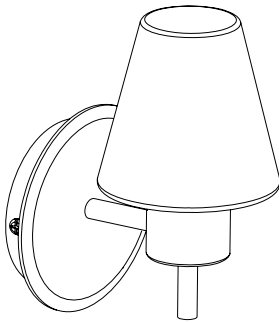
31832 Springe/Germany

www.paulmann.com

Art.-Nr.: 70141

(+MA 173)

PSP 03/10



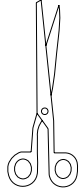
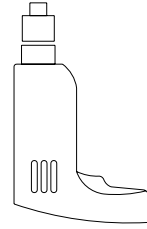
Incl.



3X

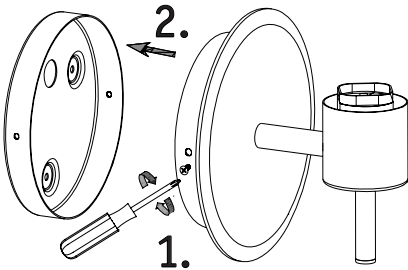
3X

2X



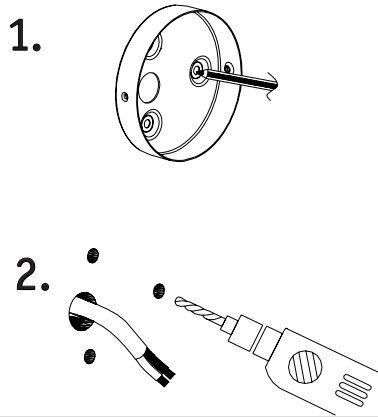
A

Safety Instructions Nr.0,1



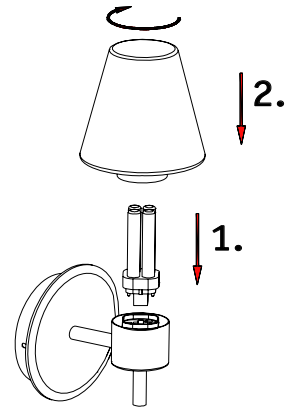
B

Safety Instructions Nr.0,1



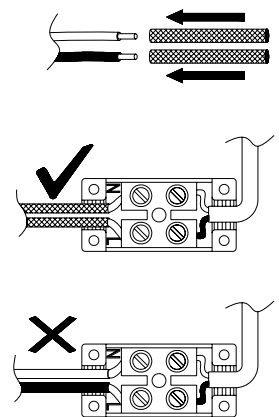
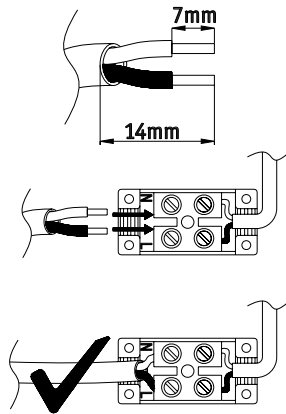
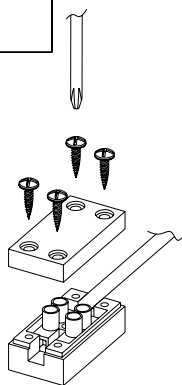
C

Safety Instructions Nr.0,1,2



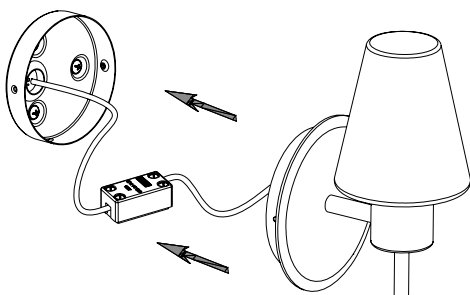
D

Safety Instructions Nr.0,14



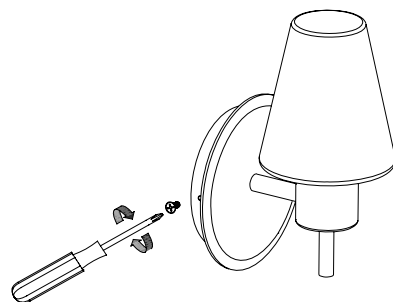
E

Safety Instructions Nr.0,1



F

Safety Instructions Nr.0,1



G

A,B,D,E,F

