

# Safety Instructions



0, 1, 4, 6, 7, 8, 10, 11  
15, 16, 19, 22, 28



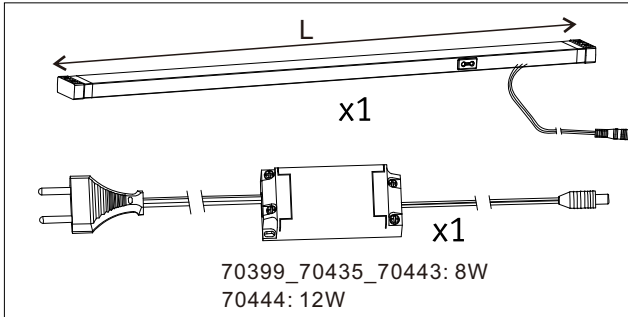
Info Hotline +49 (0) 5041 998 389

Mon. - Do. 7<sup>00</sup> - 20<sup>00</sup>  
Fr. 7<sup>00</sup> - 17<sup>00</sup>

Paulmann Licht GmbH  
31832 Springe / Germany  
www.paulmann.com

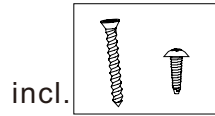
Art.-Nr.:

703.99  
704.35  
704.43  
704.44  
(+MA 173)  
PHJ 08/14



70399\_70435\_70443: 8W  
70444: 12W

70399 L=50cm  
70435 L=30cm  
70443 L=40cm  
70444 L=60cm



incl.

