



# Safety Instructions



0, 1, 6, 8, 11, 12, 15,  
22, 23, 25, 28



Info Hotline **+49 (0) 5041 998 389**

Mon. - Do. 7<sup>00</sup> - 20<sup>00</sup>

Fr. 7<sup>00</sup> - 17<sup>00</sup>

**Paulmann Licht GmbH**

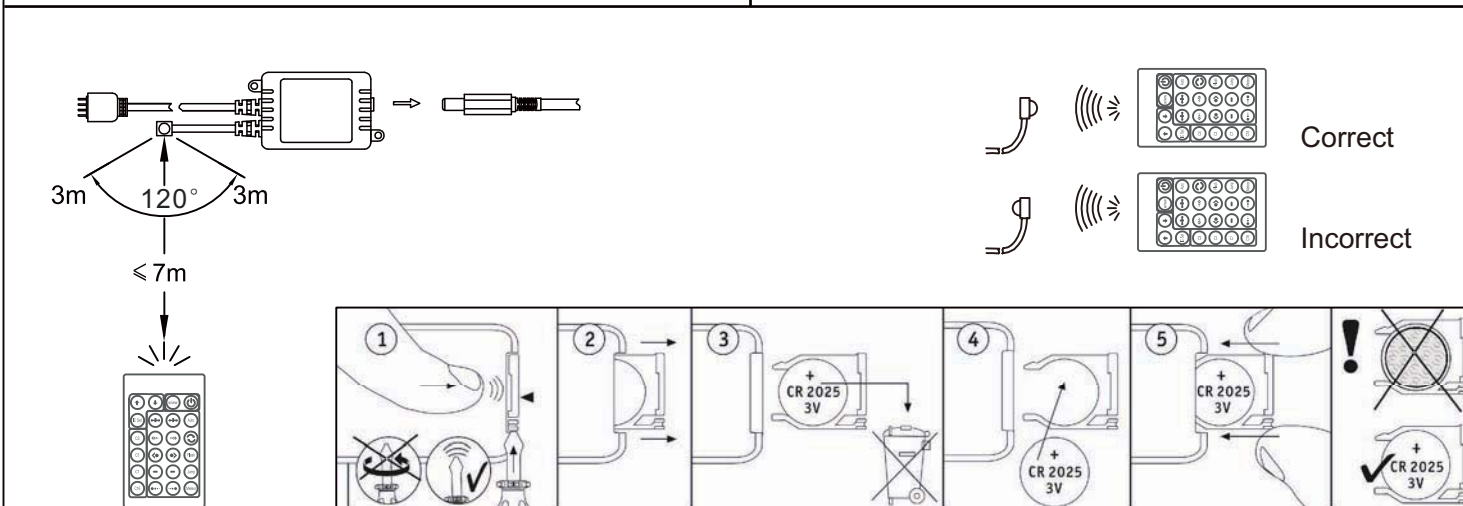
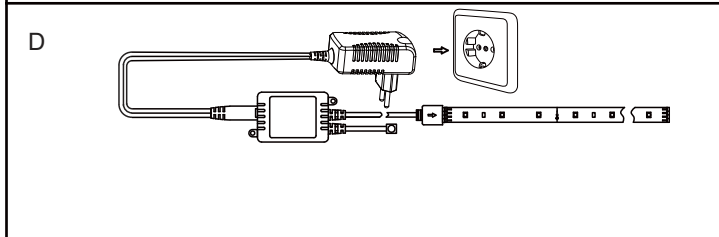
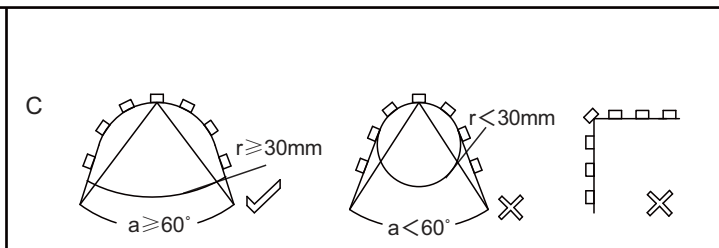
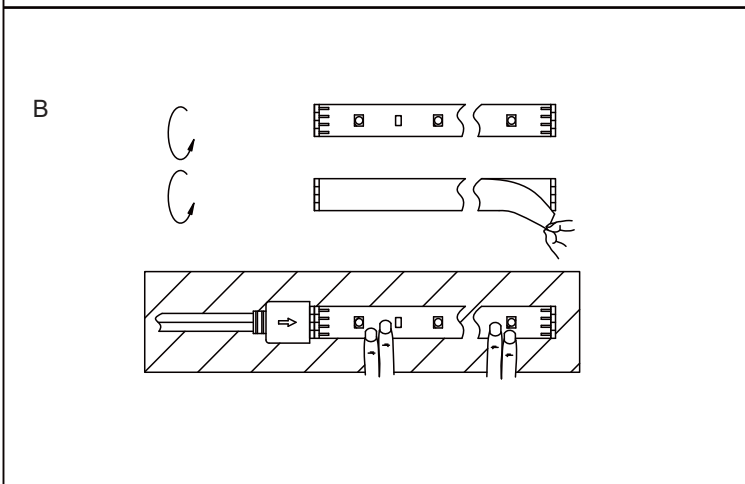
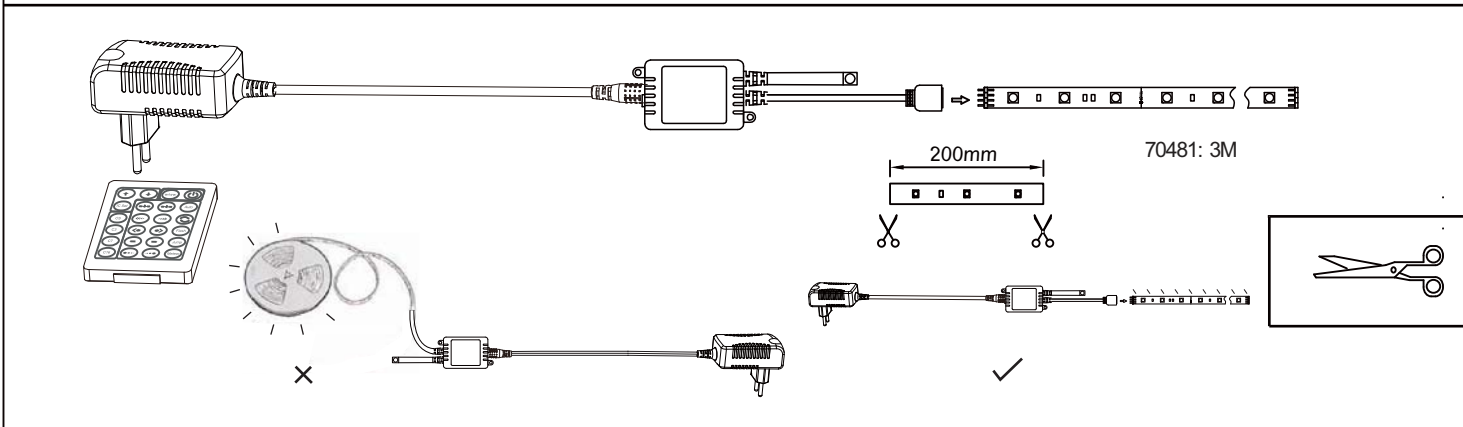
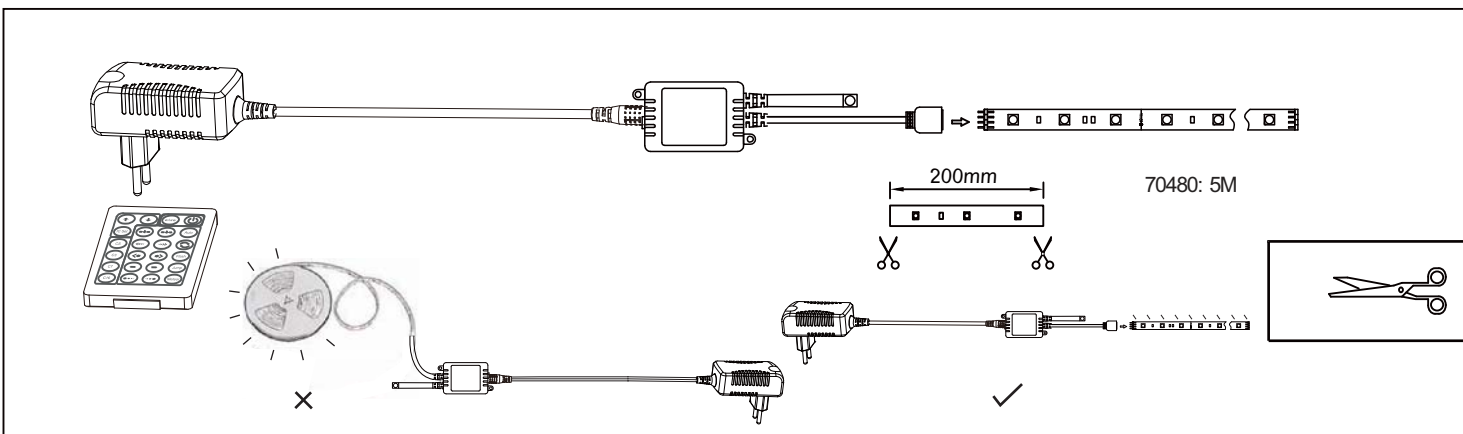
Quezinger Feld 2  
31832 Springe / Germany  
[www.paulmann.com](http://www.paulmann.com)

Art.-Nr.:

704.80

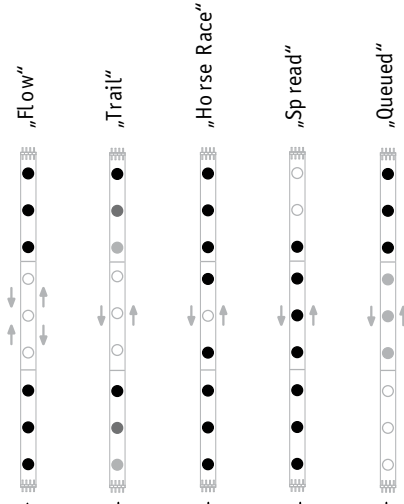
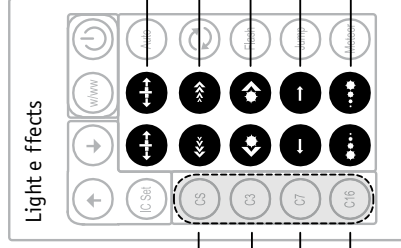
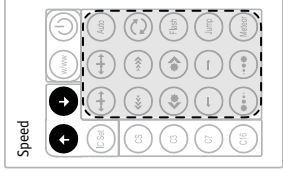
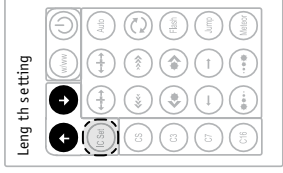
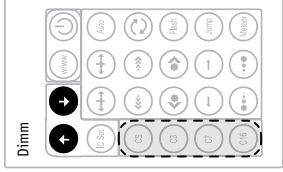
704.81

(+MA 173)  
PMK 09/14





	Light increases when in static mode, speed increases when in dynamic mode and IC number increases when in IC setting mode		Light decreases when in static mode, speed decrease when in dynamic mode and IC number decreases when in IC setting mode
	WWW shift key		ON/OFF key
	IC number setting		flow to two terminals from centre (CS,C3,C7,C16)
	flow to centre from two terminals (CS,C3,C7,C16)		Auto-cycle mode
	eight-color choice key in static model		Trail into left & CS,C3,C7,C16 D
	Trail into right & CS,C3,C7,C16 D		Trail from two directions in turn
	three-color choice key in static model		Horse race to left direction (CS,C3,C7,C16)
	Horse race to right direction (CS,C3,C7,C16)		Flash function key (CS,C3,C7,C16)
	seven-color choice key in static model		spread to left (CS,C3,C7,C16)
	spread to right (CS,C3,C7,C16)		Jump efficient key (CS,C3,C7,C16)
	sixteen-color choice key in static model Minimum Length 3,2 M		Queued color running to left with a tag (CS,C3,C7,C16)
	Queued color running to right with a tag (CS,C3,C7,C16)		Queued color running with a tag from two directions in turn



Choose color

3 color

7 color

16 color

