



Safety Instructions



0, 1, 6, 8, 11, 12, 15,
22, 23, 25, 28



Info Hotline **+49 (0) 5041 998 389**

Mon. - Do. 7⁰⁰ - 20⁰⁰

Fr. 7⁰⁰ - 17⁰⁰

Paulmann Licht GmbH

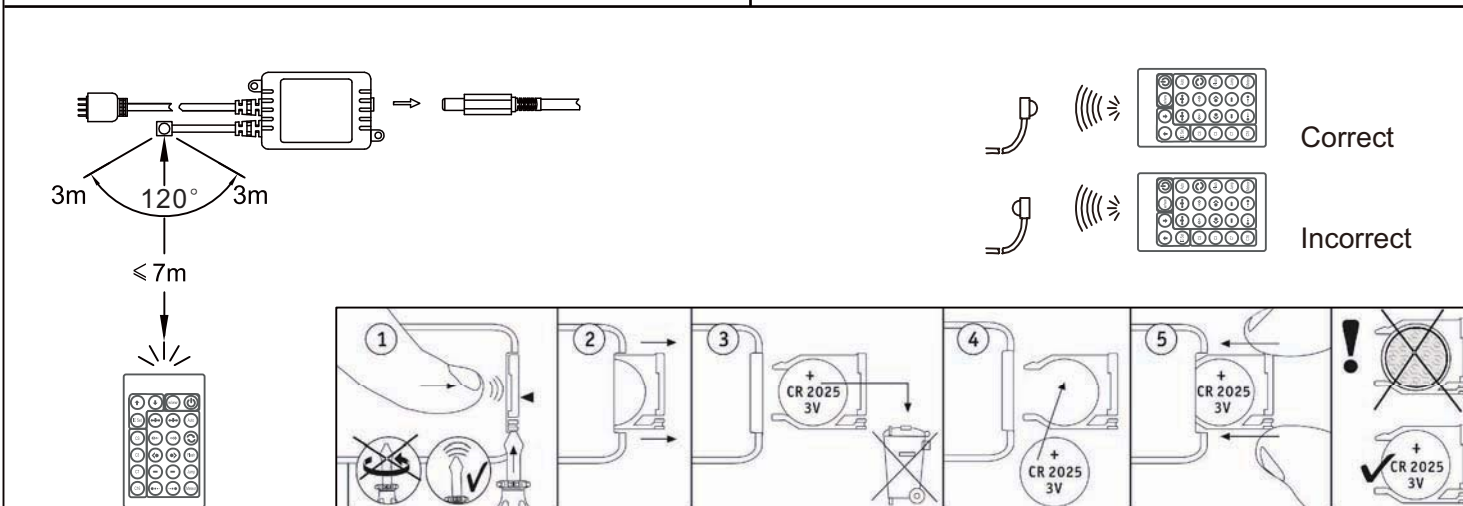
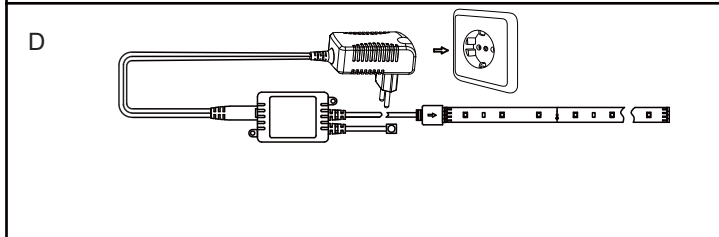
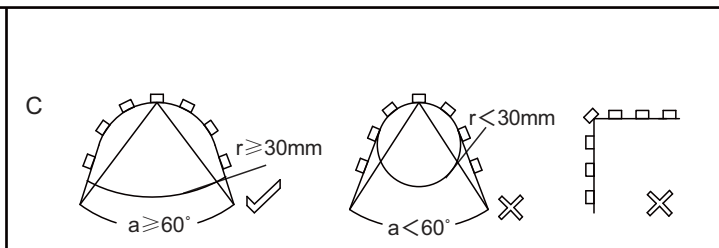
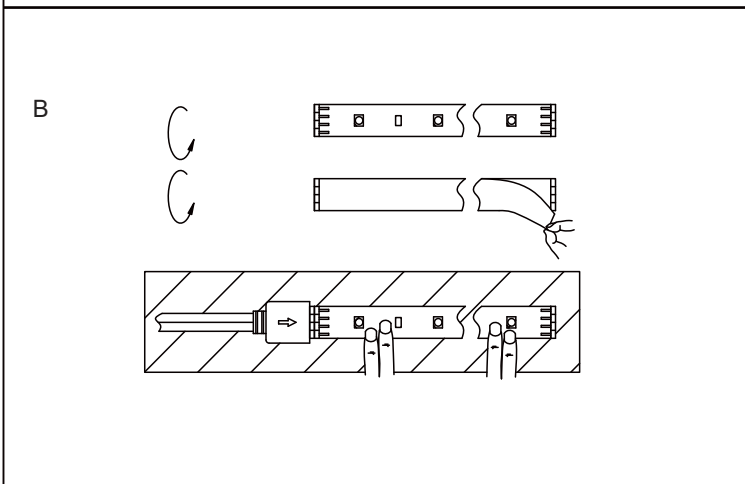
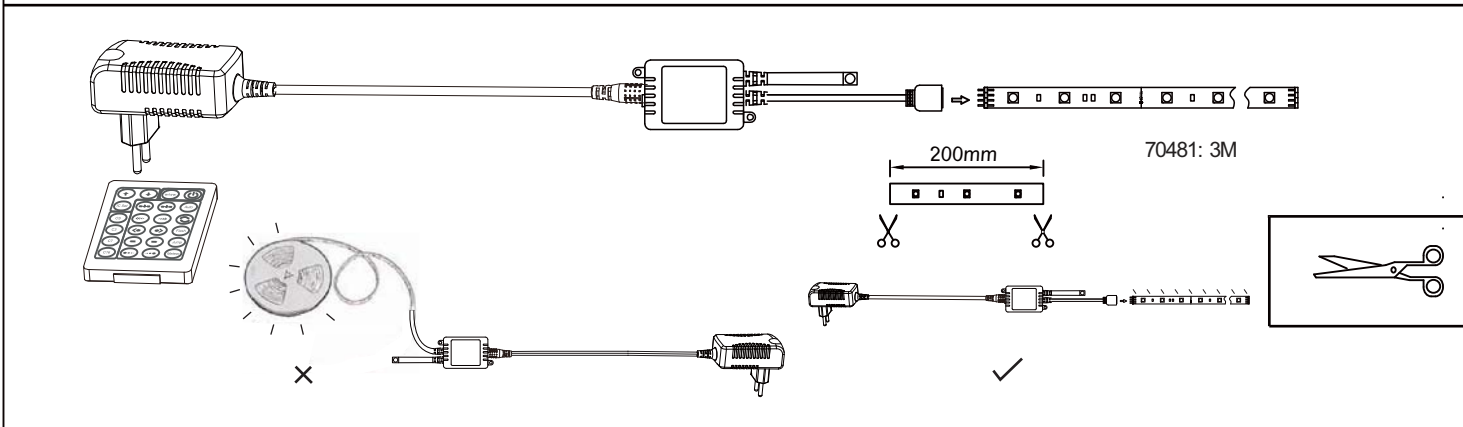
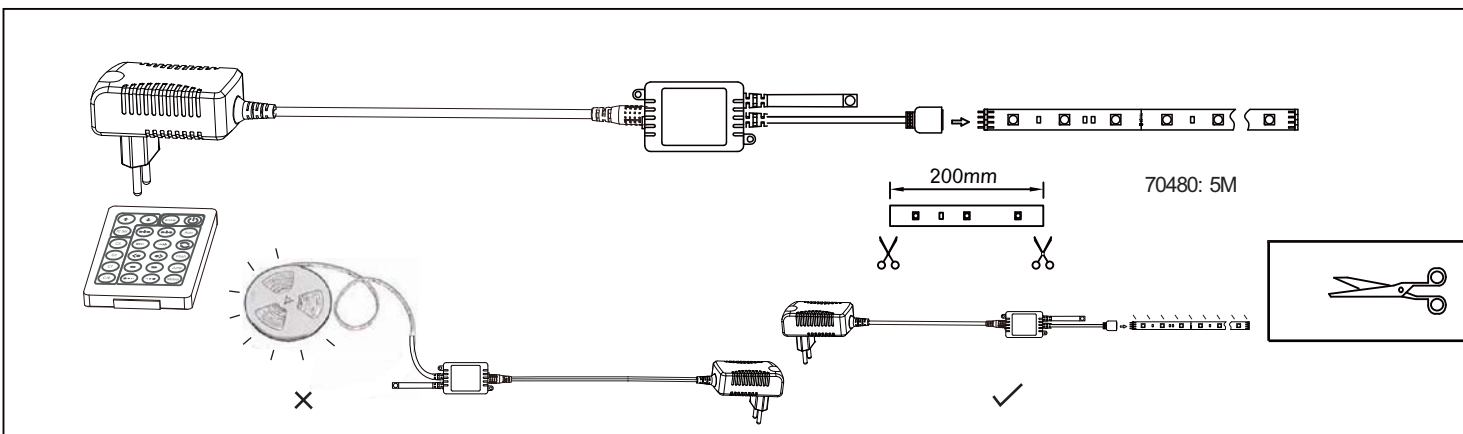
Quezinger Feld 2
31832 Springe / Germany
www.paulmann.com

Art.-Nr.:

704.80

704.81

(+MA 173)
PMK 09/14





Light increases when in static mode, speed increases when in dynamic mode and IC number increases when in IC setting mode



W/WWW shift key



IC Set



flow to two terminals from centre (CS,C3,C7,C16)



flow to centre from two terminals (CS,C3,C7,C16)



eight-color choice key in static model



Trail into left & CS,C3,C7,C16 D



Trail into right & CS,C3,C7,C16 D



Trail from two directions in turn



three-color choice key in static model



Horse race to left direction (CS,C3,C7,C16)



Horse race to right direction (CS,C3,C7,C16)

Flash function key (CS,C3,C7,C16)



seven-color choice key in static model



spread to left (CS,C3,C7,C16)



spread to right (CS,C3,C7,C16)

Jump efficient key (CS,C3,C7,C16)



sixteen-color choice key in static model
Minimum Length 3,2 M



Queued color running to left with a tag (CS,C3,C7,C16)



Queued color running to right with a tag (CS,C3,C7,C16)



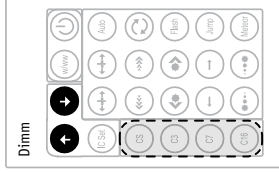
Queued color running with a tag from two directions in turn



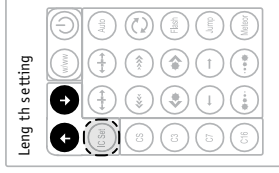
On / Off



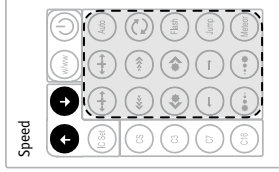
White



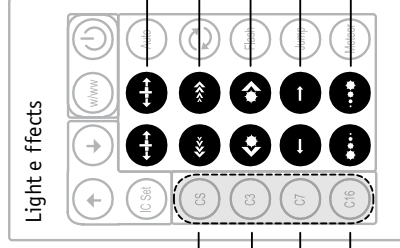
Dimm



Length setting



Speed



Light effects

Choose color

3 color

7 color

16 color



„Flow“



„Trail“



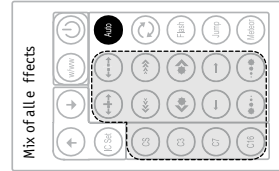
„Horse Race“



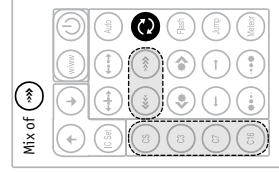
„Spread“



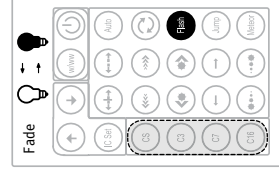
„Queued“



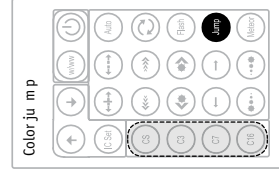
Mix of all effects



Mix of



Fade



Color jump