

## Safety Instructions



0, 1, 4, 6, 7, 8, 10, 11,  
15, 16, 19, 22, 28



Info Hotline **+49 (0) 5041 998 389**

Mon. - Do. 7<sup>00</sup> - 20<sup>00</sup>

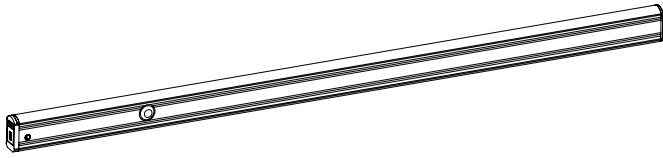
Fr. 7<sup>00</sup> - 17<sup>00</sup>

Paulmann Licht GmbH  
31832 Springe / Germany  
[www.paulmann.com](http://www.paulmann.com)

Art.-Nr.:  
**704.99**  
**705.01**

(+MA 173)

PHJ 02/14 



x1




x2

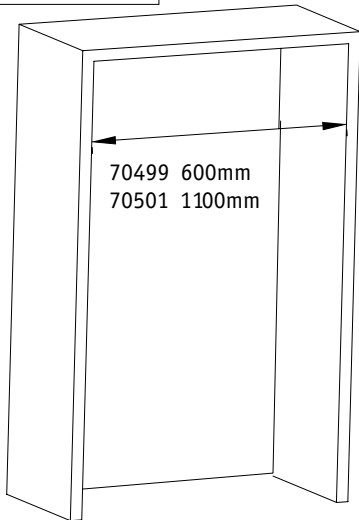


x4

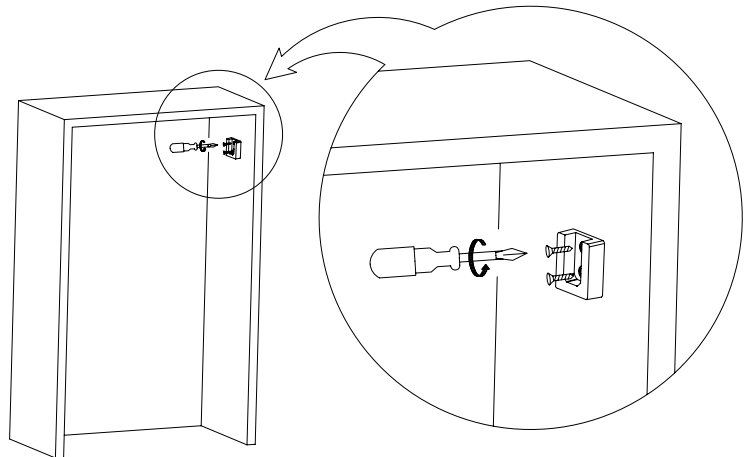


**A**

 Safety Instructions  
Nr. 0,1



**B**



**C**

