

Safety Instructions



0, 1, 4, 6, 7, 8, 10, 11,
15, 16, 19, 22, 28



Info Hotline **+49 (0) 5041 998 389**

Mon. - Do. 7⁰⁰ - 20⁰⁰

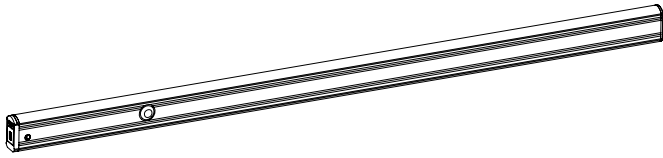
Fr. 7⁰⁰ - 17⁰⁰

Paulmann Licht GmbH
31832 Springe / Germany
www.paulmann.com

Art.-Nr.:
704.99
705.01

(+MA 173)

PHJ 02/14 



x1




x2

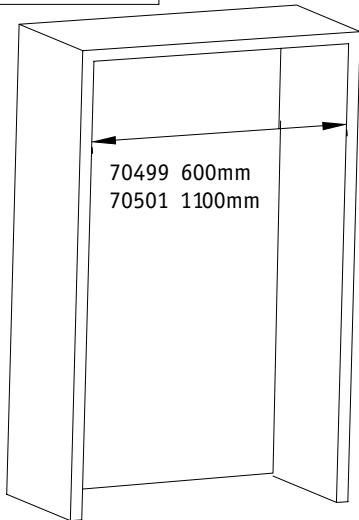


x4

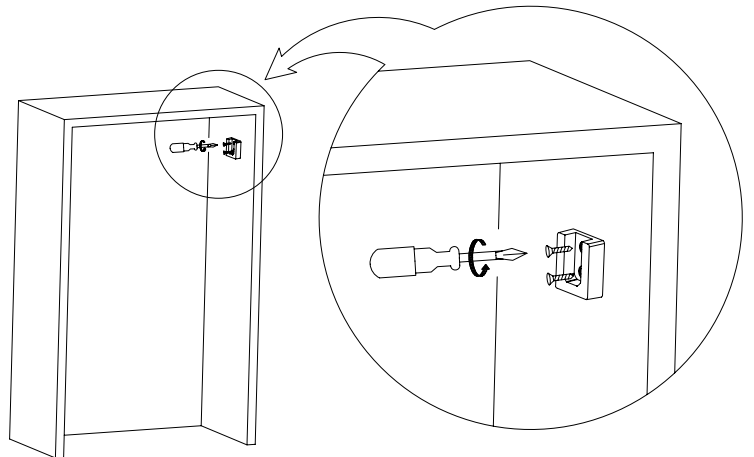


A

 Safety Instructions
Nr. 0,1



B



C

