

Safety Instructions



0,1,4,6,7,8,9,11,15,
17,19,20,22,25,



Info Hotline

+49 (0) 5041 998 389

Mon. - Do. 7⁰⁰ - 20⁰⁰

Fr. 7⁰⁰ - 17⁰⁰

Paulmann Licht GmbH
31832 Springe / Germany
www.paulmann.com

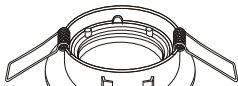
Art.-Nr.:

925.25

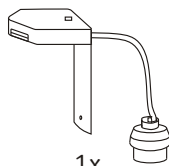
925.26

(+MA 173)

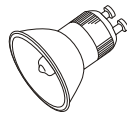
PBO 11/10



1x

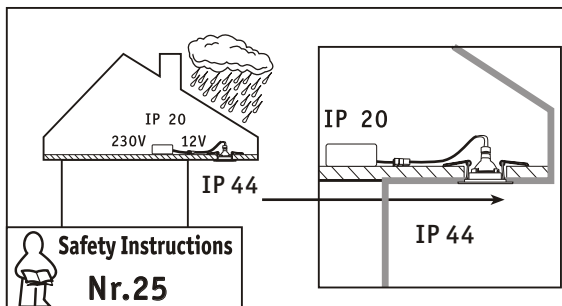
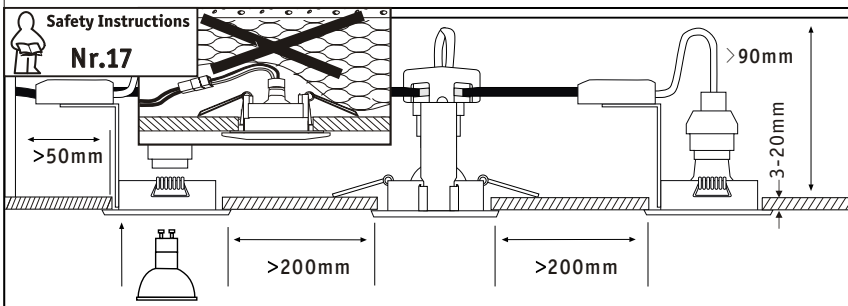
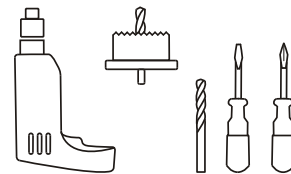


1x



1x

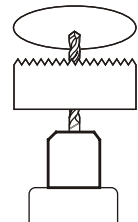
incl. 



A



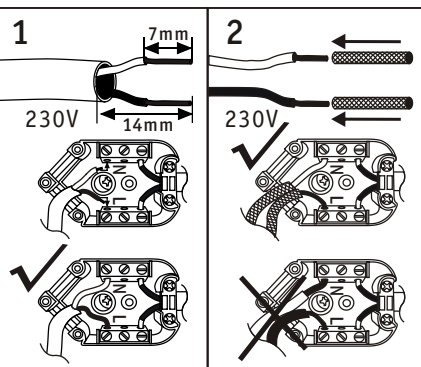
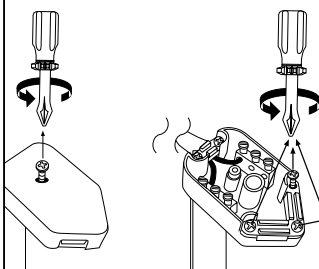
(Ø 70mm)



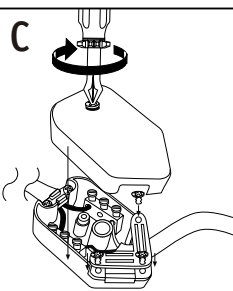
Safety Instructions Nr.0,1

B

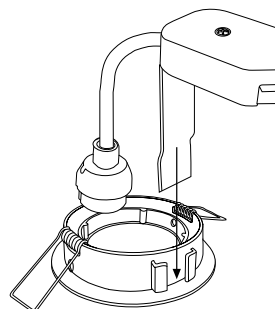
Safety Instructions Nr.0,4



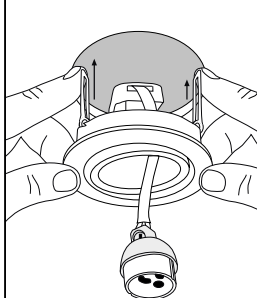
C



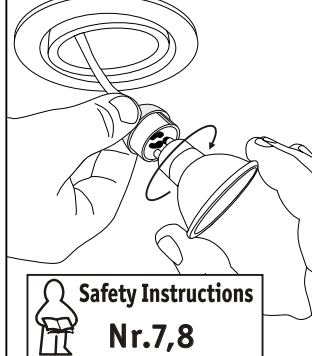
D



E



F



G



H

