

Safety Instructions



0, 1, 2, 3, 4, 5a, 6, 7, 8, 9,
10,11,12,13,14,15,16,17,
18,20,21,22,23,24



Info Hotline



+49 (0) 5041 998 389

Mon.-Do. 7⁰⁰-20⁰⁰

Fr. 7⁰⁰-17⁰⁰

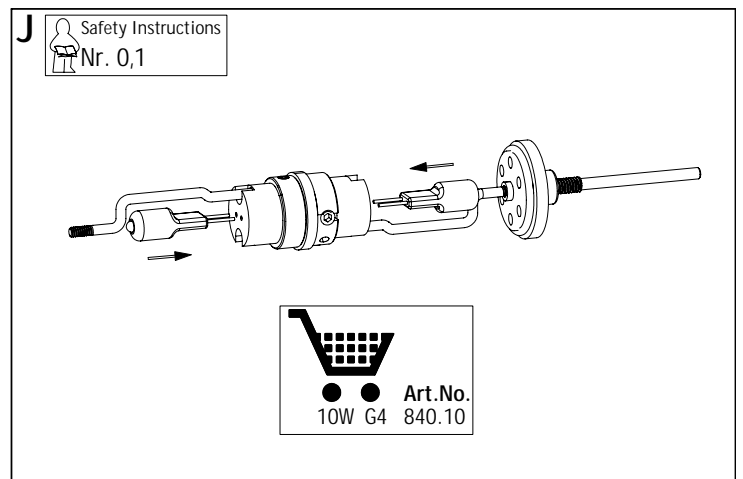
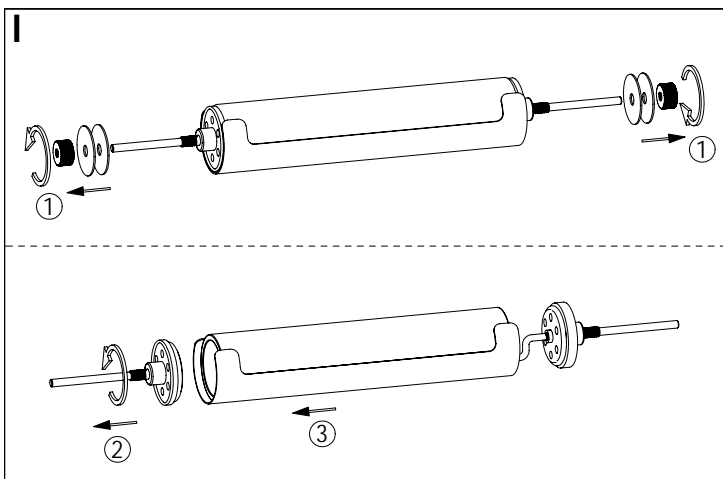
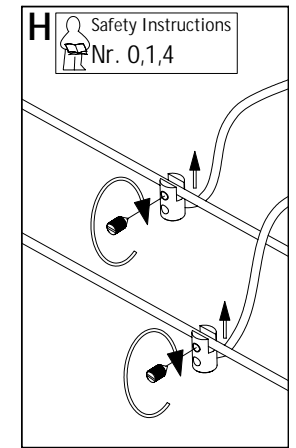
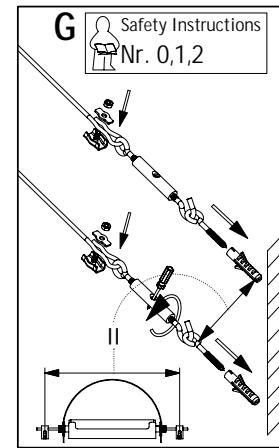
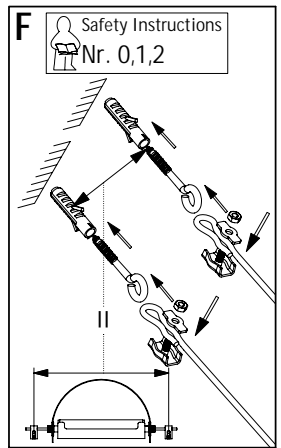
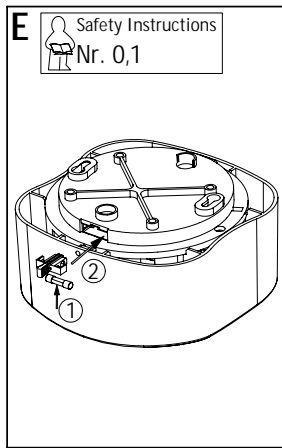
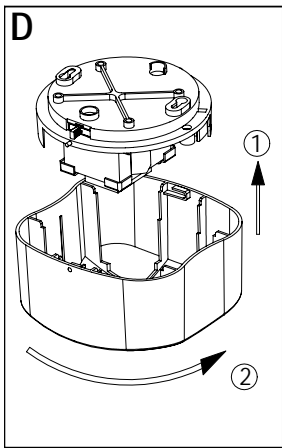
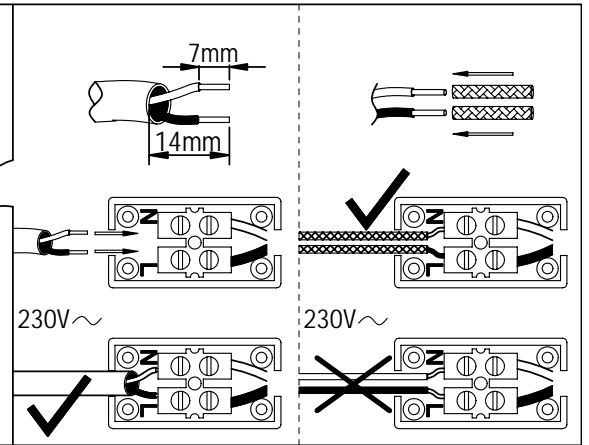
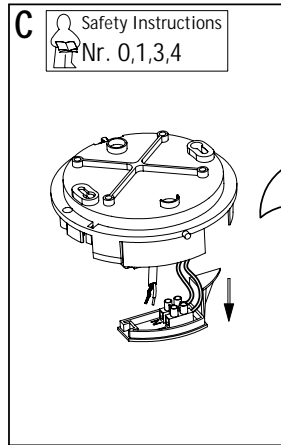
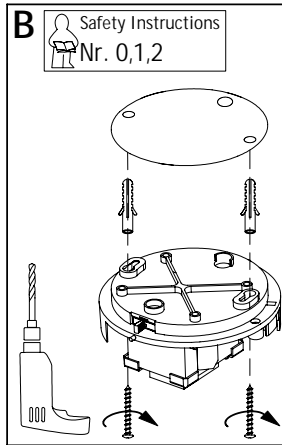
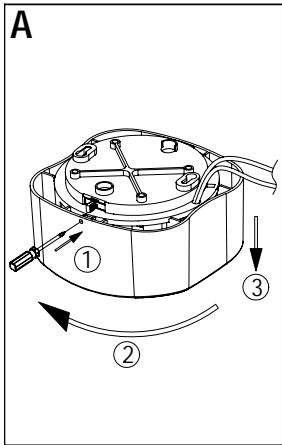
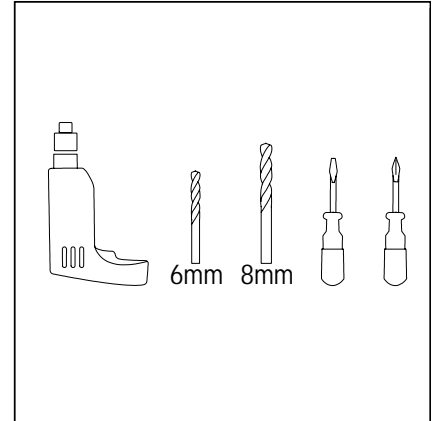
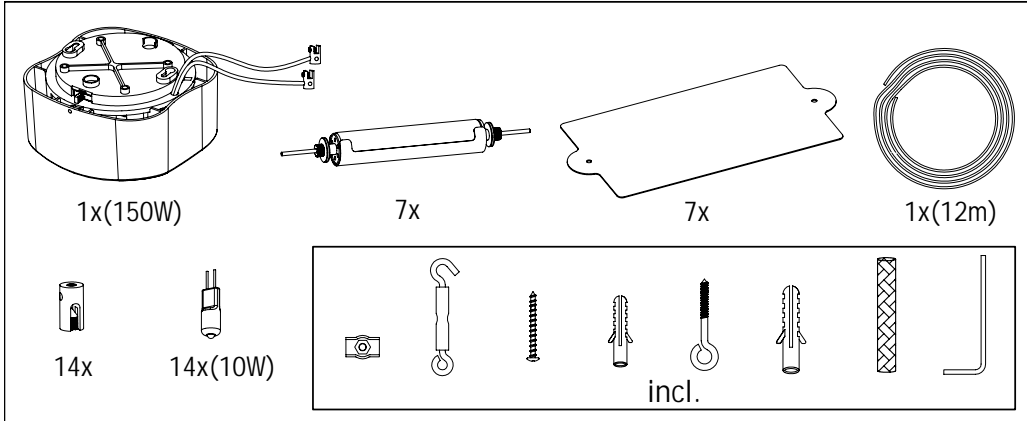


Paulmann Licht GmbH
31832 Springe / Germany
www.paulmann.com

Art.-Nr.:
94069

(+MA 173)

PDG 03/11





Safety Instructions



0, 1, 2, 3, 4, 5a, 6, 7, 8, 9,
10,11,12,13,14,15,16,17,
18,20,21,22,23,24



Info Hotline

+49 (0) 5041 998 389

Mon.-Do. 7⁰⁰-20⁰⁰

Fr. 7⁰⁰-17⁰⁰

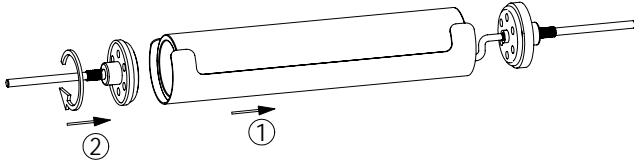
Paulmann Licht GmbH
31832 Springe / Germany
www.paulmann.com

Art.-Nr.:
94069

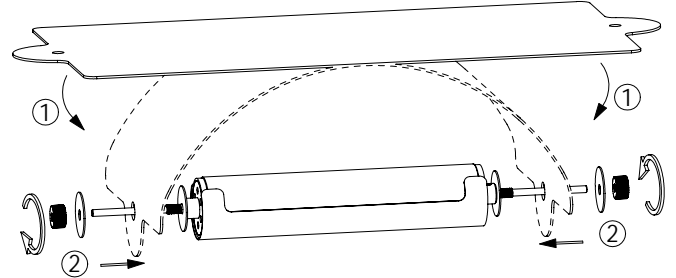
(+MA 173)

PDG 03/11

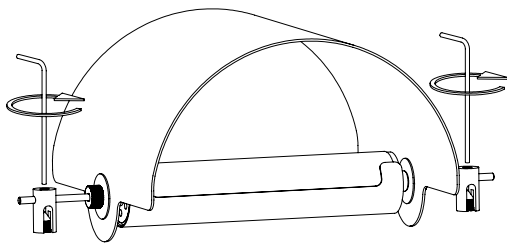
K Safety Instructions Nr. 0,1,4



L



M Safety Instructions Nr. 0,1,4



N Safety Instructions Nr. 0,1,4

