

# Safety Instructions



0, 1, 2, 3, 4, 5a, 6, 7, 8, 9,  
10,11,12,13,14,15,16,17,  
18,20,21,22,23,24



Info Hotline



+49 (0) 5041 998 389

Mon.-Do. 7<sup>00</sup>-20<sup>00</sup>

Fr. 7<sup>00</sup>-17<sup>00</sup>

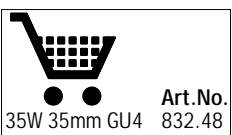
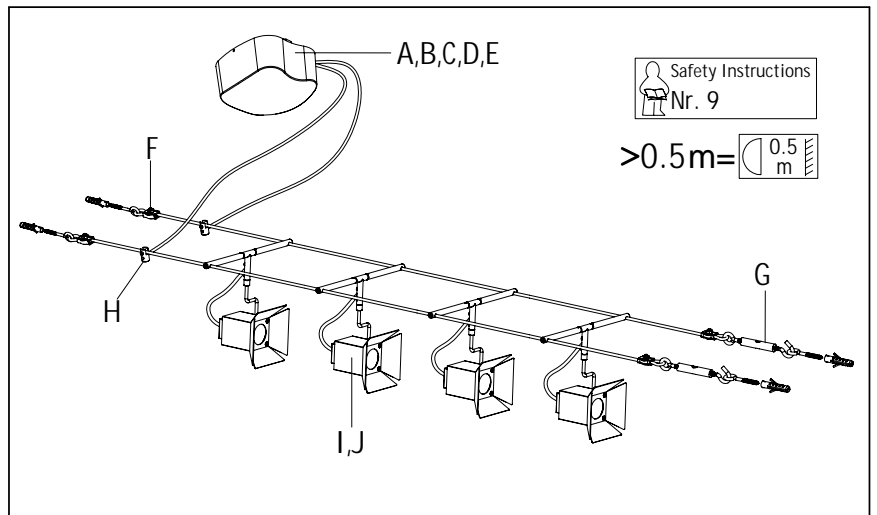
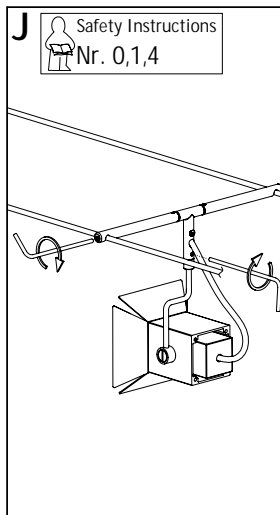
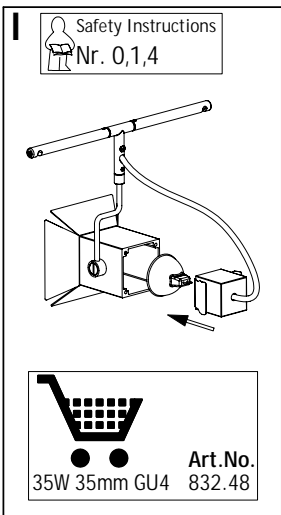
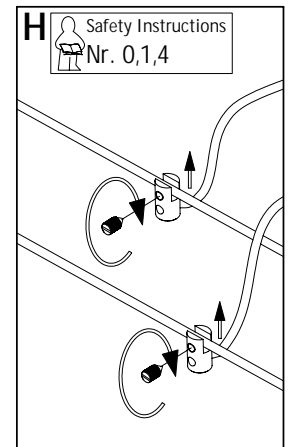
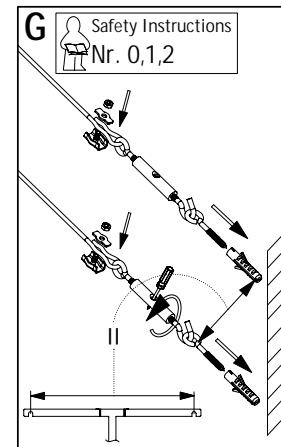
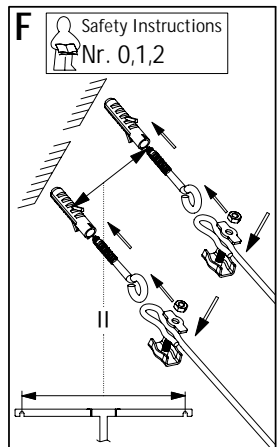
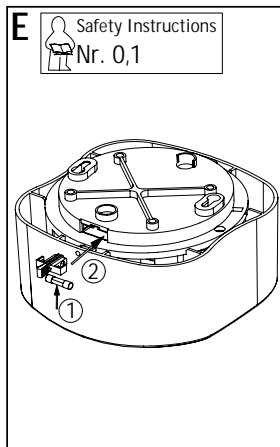
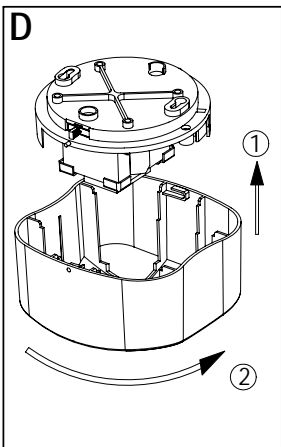
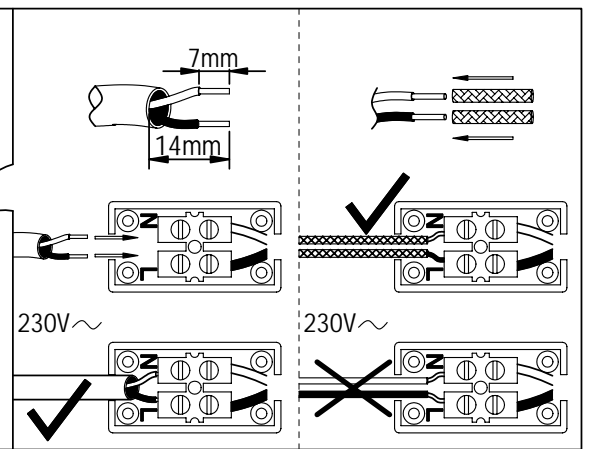
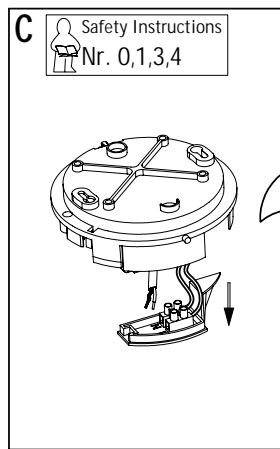
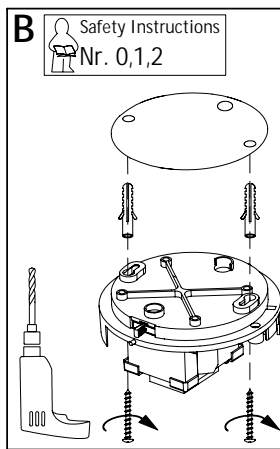
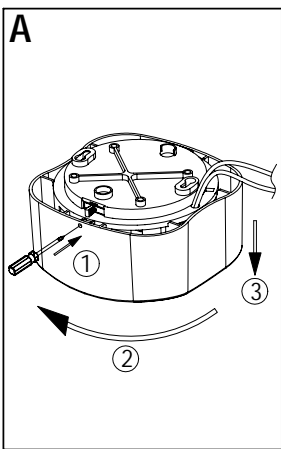
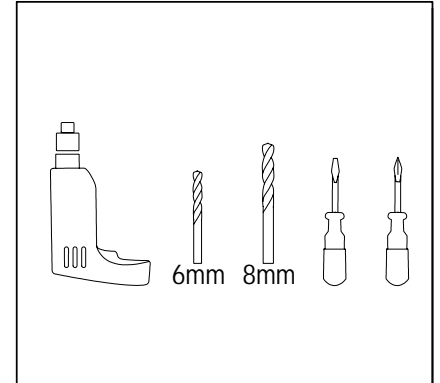
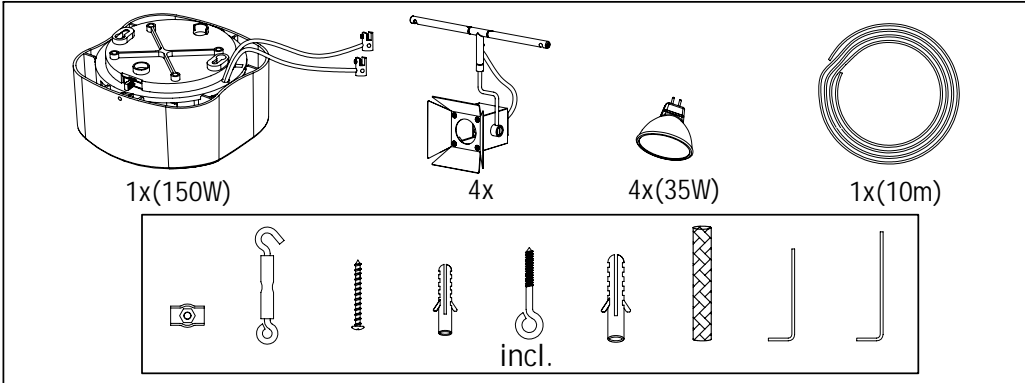


Paulmann Licht GmbH  
31832 Springe / Germany  
www.paulmann.com

Art.-Nr.:  
94074

(+MA 173)

PDG 04/11



Art.No.  
832.48

35W 35mm GU4

Safety Instructions  
Nr. 9

>0.5m= 0.5m