

## Safety Instructions



0, 1, 2, 3, 4, 6, 7, 8, 9,  
11, 15, 20, 22, 26, 27



Info Hotline 

**+49 (0) 5041 998 389**

Mon. - Do. 7<sup>00</sup> - 20<sup>00</sup>

Fr. 7<sup>00</sup> - 17<sup>00</sup>

Paulmann Licht GmbH  
31832 Springe / Germany  
www.paulmann.com

Art.-Nr.:

**968.75**

**976.68**

**976.95**

**950.28**

(+MA 173)

PBO 12/09

968.75  
976.68  
976.95



1x



1x



1x

950.28



1x

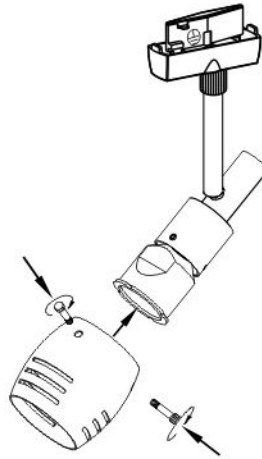


1x

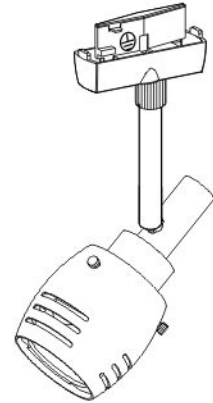
**A**



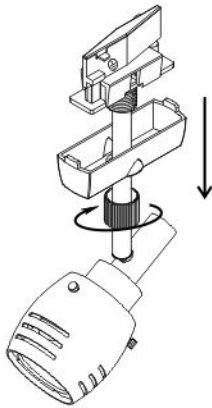
**B**



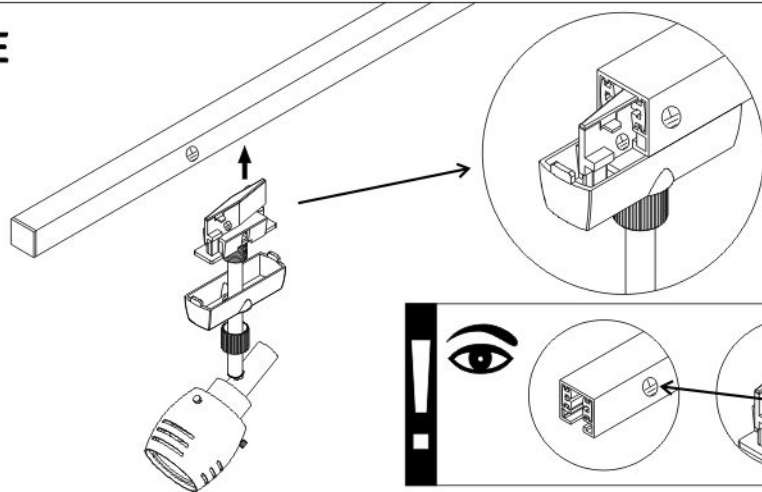
**C**



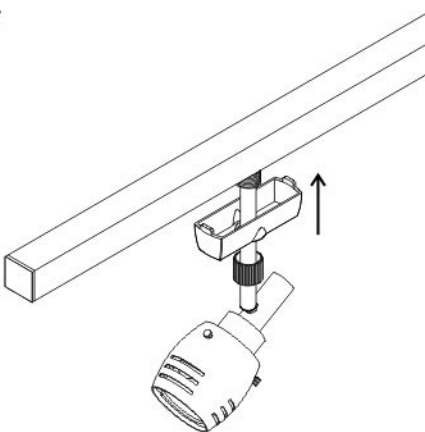
**D**



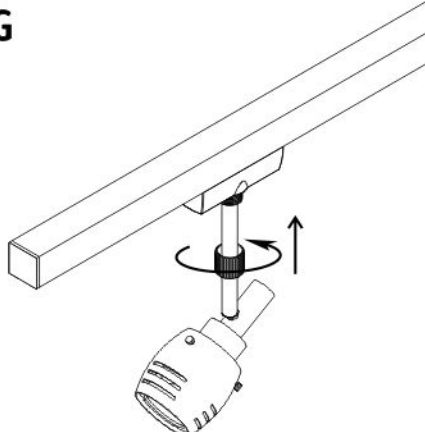
**E**



**F**



**G**



**H**

