



0,1,4,6,7,8,9,11,15,
23,26,27



Info Hotline **+49 (0) 5041 998 389**

Mon. - Do. 7⁰⁰ - 20⁰⁰

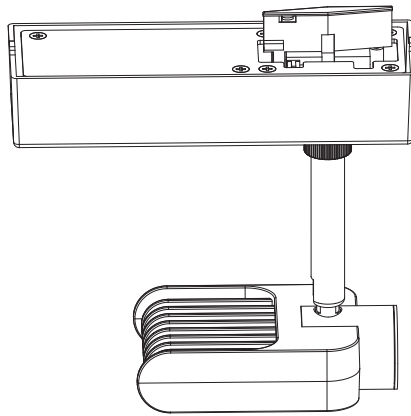
Fr. 7⁰⁰ - 17⁰⁰

Paulmann Licht GmbH
31832 Springe / Germany
www.paulmann.com

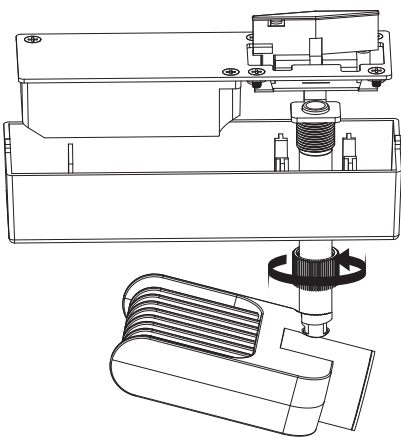
Art.-Nr.:
951.14

(+MA 173)

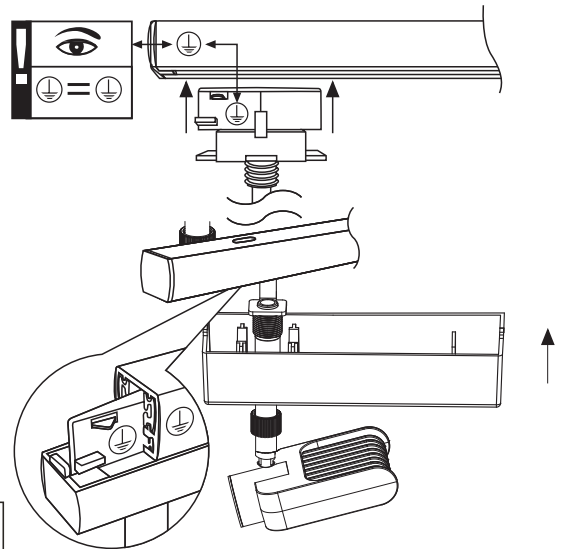
PH 10/11



A



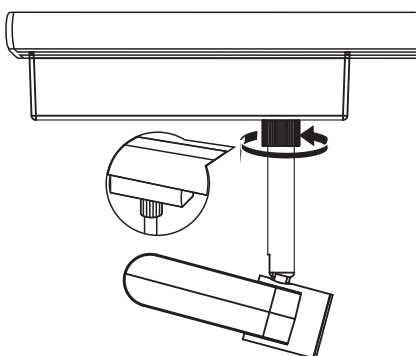
B



Safety Instructions

Nr.0

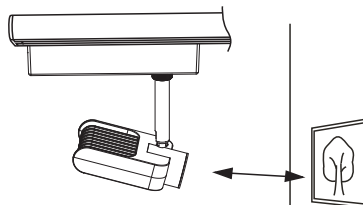
C

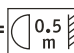


Safety Instructions

Nr.0.4

D



>0.5 m =  0.5 m



Safety Instructions

Nr.0.9

