

Safety Instructions 



0,1,4,6,7,8,9,11,15,
23,26,27



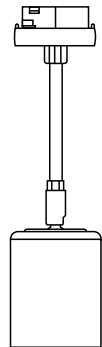
Info Hotline **+49 (0) 5041 998 389**
Mon. - Do. 7⁰⁰ - 20⁰⁰
Fr. 7⁰⁰ - 17⁰⁰

Paulmann Licht GmbH
31832 Springe / Germany
www.paulmann.com

Art.-Nr.:
951.17

(+MA 173)

PH 05/12



1x

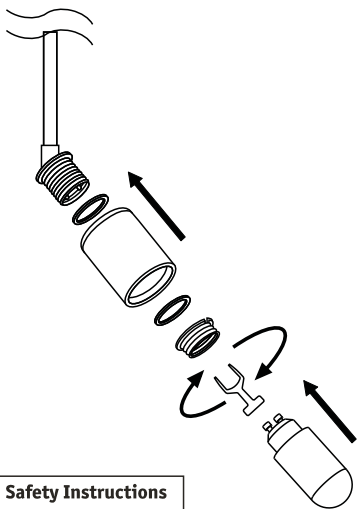


1x

incl.

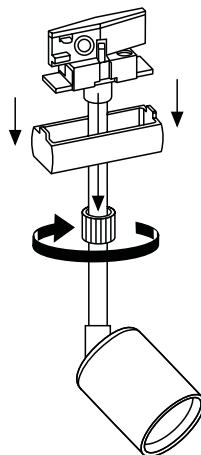


A

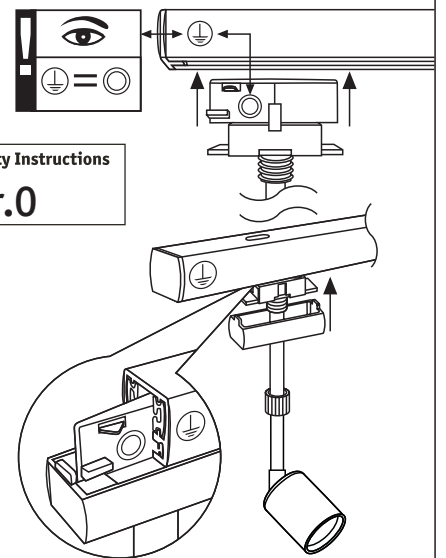


 Safety Instructions
Nr.7,8

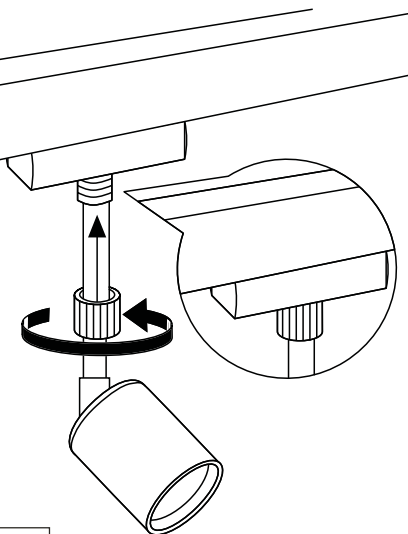
B



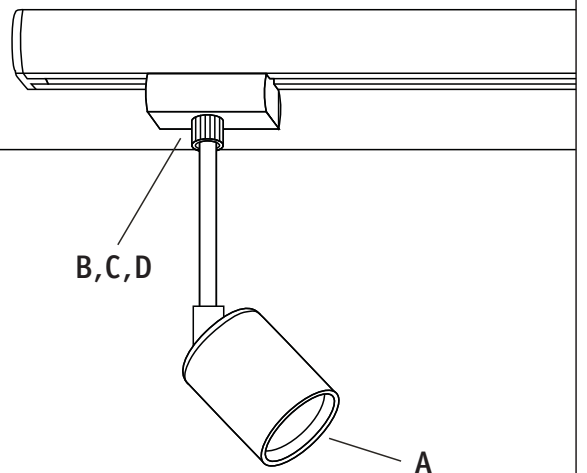
C



D



 Safety Instructions
Nr.0.4




3.5W 30mm GU10
Art.No. 281.67