


Safety Instructions

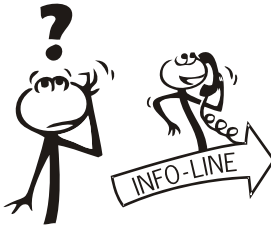
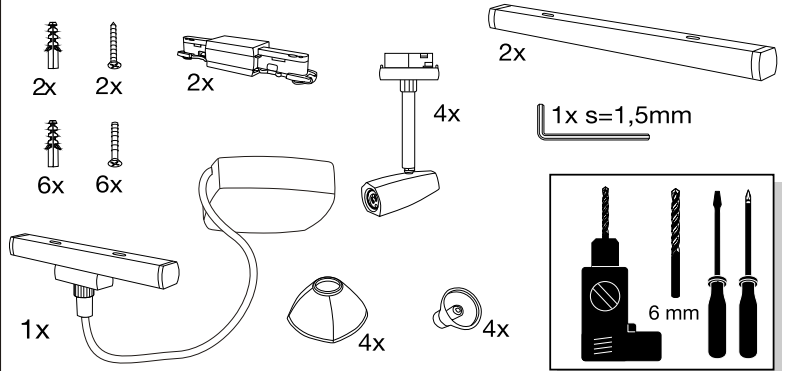


0, 1, 2, 4, 6, 7, 8, 9, 11, 15, 18, 20, 22, 23, 26, 27.

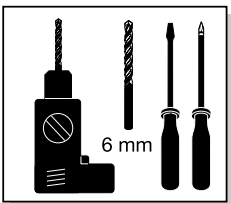
Paulmann Licht GmbH
Quezinger Feld 2
D-31832 Springe
www.paulmann.com

INFO-LINE +49 (0) 5041 998 389

Mon.-Do. ⌚ 7⁰⁰-20⁰⁰ ⌚
Fr. ⌚ 7⁰⁰-17⁰⁰ ⌚

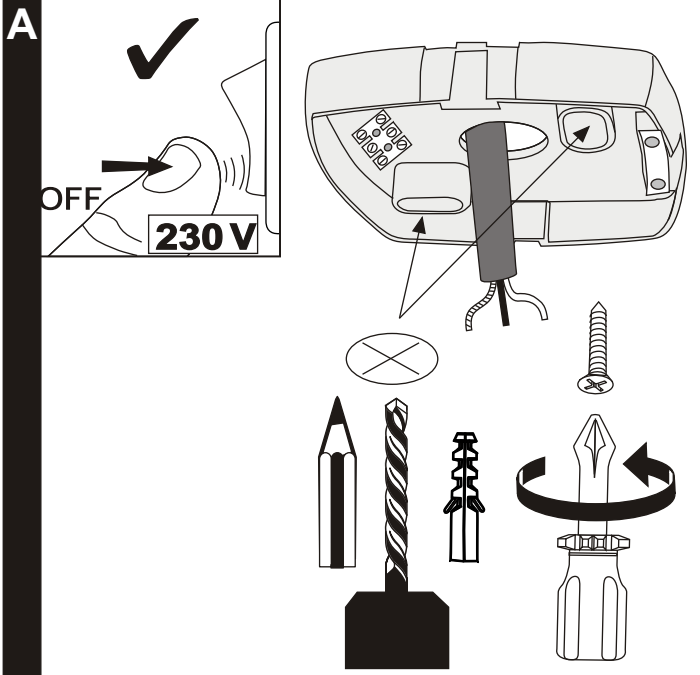



2x 2x 2x 4x 2x 1x s=1,5mm 6x 6x 1x 4x 4x



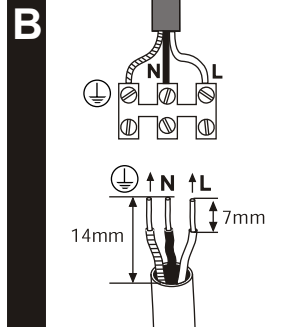
6 mm

A



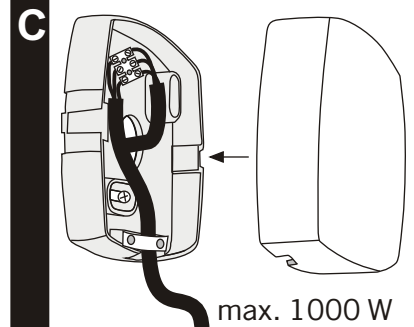
OFF 230 V

B



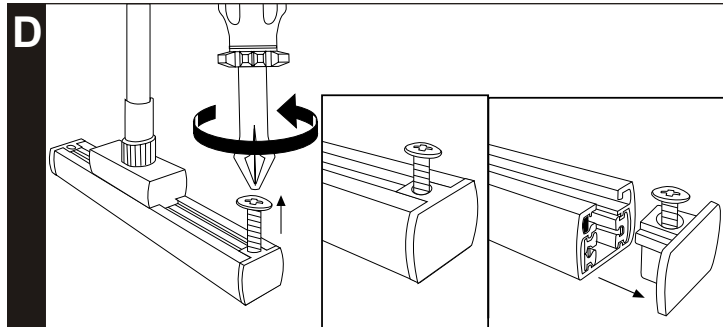
N L 14mm 7mm

C

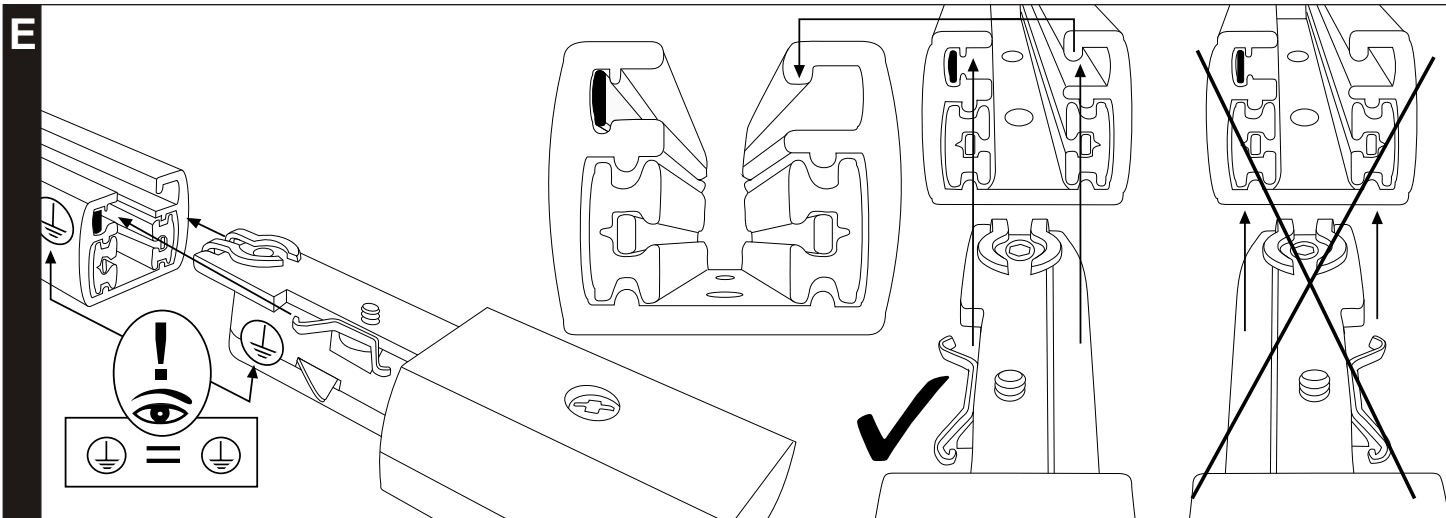


max. 1000 W

D

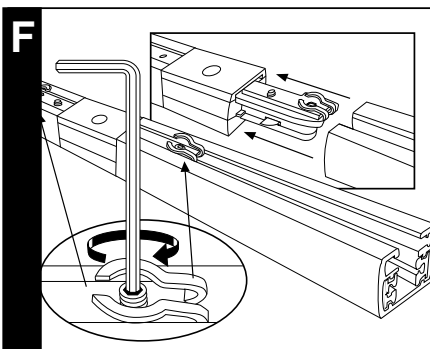


E

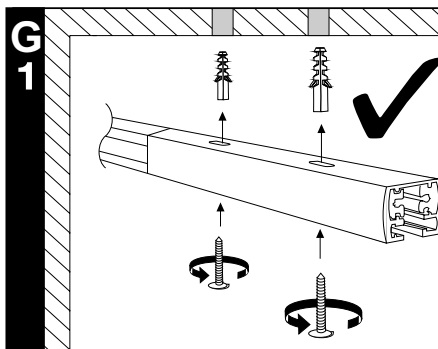


!

F



G 1



G 2

