





Safety Instructions

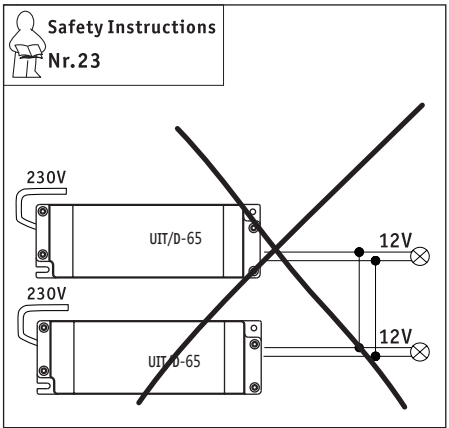
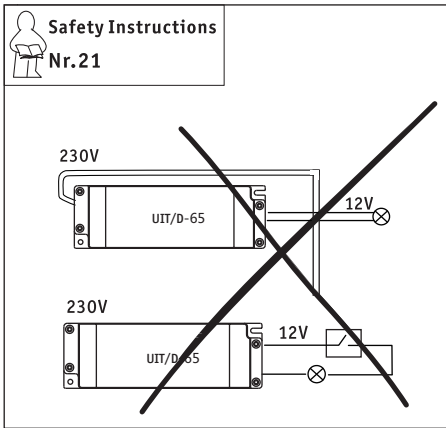
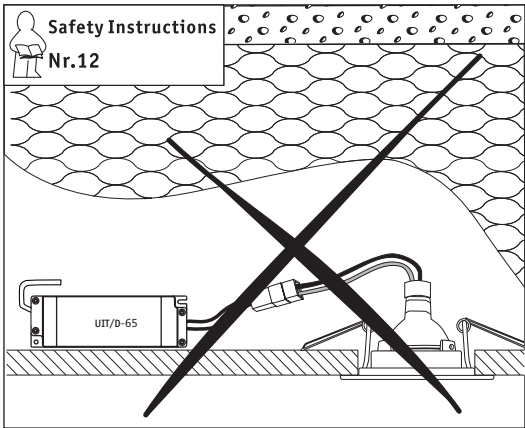
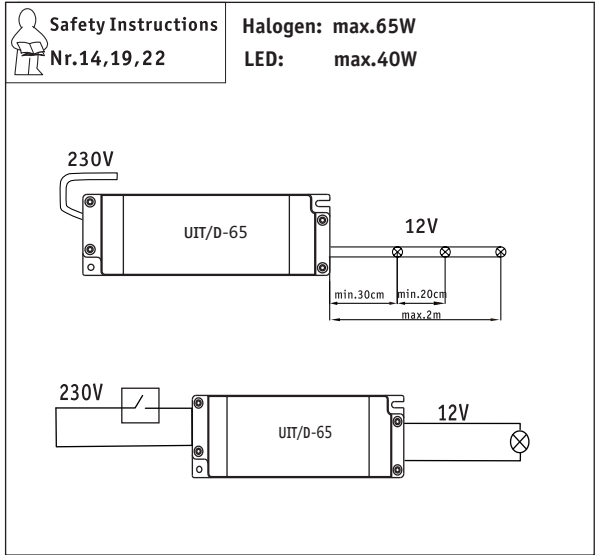
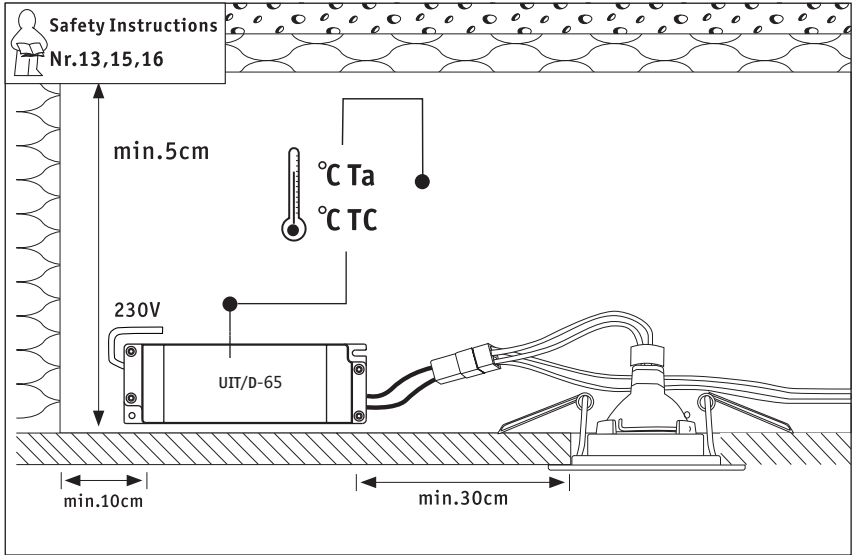
 1, 2, 3, 4, 5, 6, 7, 8,
9, 11, 12, 13, 14, 15, 16,
17, 18, 19, 21, 22, 23, 25,
28b, 29, 30, 31, 34,

 Info Hotline  +49(0)5041 998 389
Mon.-Do. 7⁰⁰-20⁰⁰
Fr. 7⁰⁰-17⁰⁰


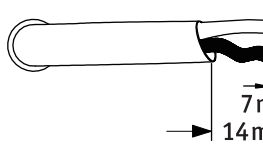
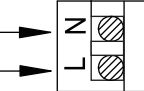

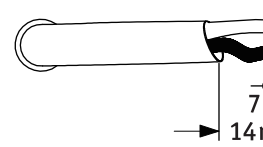
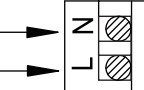
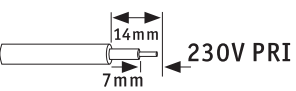
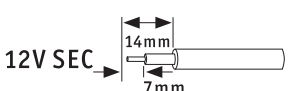
Paulmann Licht GmbH
31832 Springe/Germany
www.paulmann.com

Art.-Nr.:
977.67

(+MA 197)
PCE 02/14 



Transfo UIT/D 65VA

<input type="checkbox"/>  Safety Instructions Nr.28a/b	<input type="checkbox"/>	$T_a: -20...+40^{\circ}\text{C}$ $T_C: +85^{\circ}\text{C}$		
<input checked="" type="checkbox"/>  Safety Instructions Nr.28b	<input type="checkbox"/>			
 230V PRI	 12V SEC	<input checked="" type="checkbox"/> H03VVH2-F } 2x <input checked="" type="checkbox"/> H05VVH2-F } 0.75mm ²	min.H03VVH2-F 0.75mm ² ×2	