



## Safety Instructions



1, 2, 3, 4, 5, 6, 7,  
9, 11, 12, 13, 14, 15,  
16, 17, 18, 19, 21, 22,  
23, 24, 25, 26

## Info Hotline



+49 (0) 5041 998 389

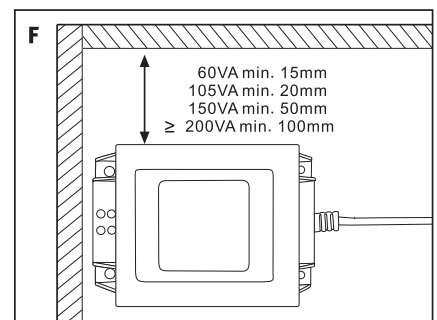
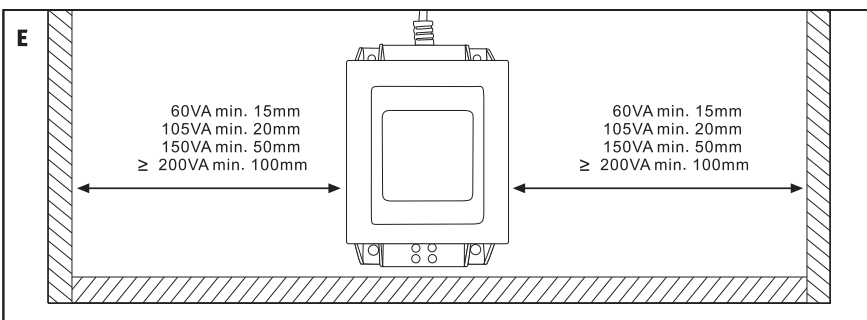
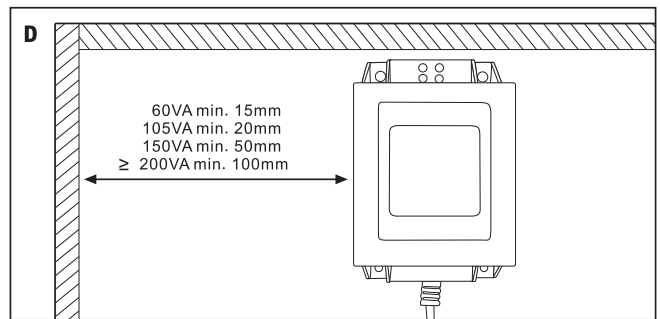
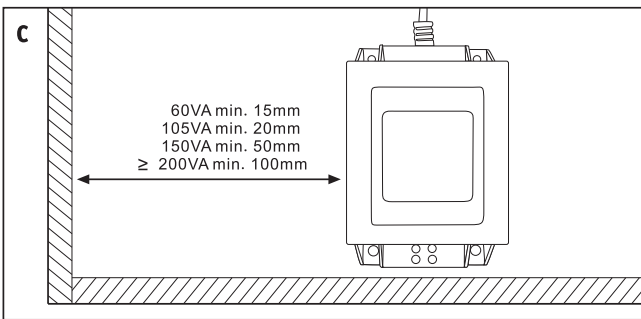
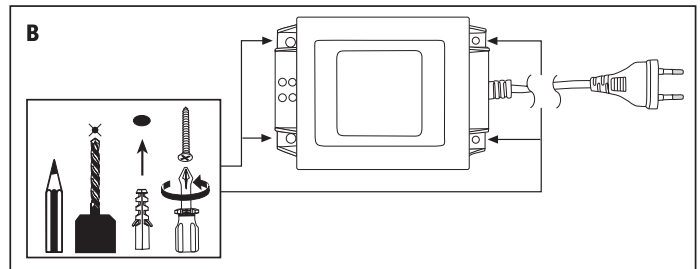
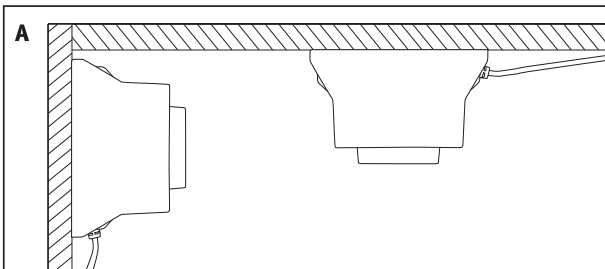
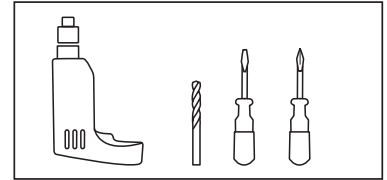
Mon.-Do. 7<sup>00</sup> - 20<sup>00</sup>

Fr. 7<sup>00</sup> - 17<sup>00</sup>

Paulmann Licht GmbH  
31832 Springe / Germany  
www.paulmann.com

Art.-Nr.:

97960  
97911  
97915  
97920  
97930  
97940  
979500  
(+MA 188)  
PDG 03/11



G	230 V	Transfo 400 VA 500 VA	11.5V	Transfo 400 VA		Transfo 500 VA	
				200W max.16.75A	200W max.16.75A	250W max.20.8A	250W max.20.8A

H	Model	Transfo VA	min. Watt	max. Watt	
	97960	60	45 W	60 W	---
	97911	105	80 W	105 W	---
	97915	150	115 W	150 W	---
	97920	200	150 W	200 W	1,60 AT
	97930	300	225 W	300 W	2,00 AT
	97940	400	300 W	400 W	2,50 AT
	979500	500	375 W	500 W	3,15 AT

I	Transfo VA	←-----→					
		2,5m	5m	7,5m	10m	15m	
	60	1,0	2,5	4,0	4,0	6,0	mm <sup>2</sup>
	105	2,5	4,0	6,0	10,0	10,0	
	150	2,5	6,0	10,0	10,0	16,0	
	200	4,0	6,0	10,0	16,0	25,0	
	300	6,0	10,0	16,0	25,0	35,0	

J		Art.No.	
		0,63 Amp.	979.9969
	1 Amp.	979.9919	
	1,25 Amp.	979.12	
	1,6 Amp.	979.9929	
	2 Amp.	979.9939	
	2,5 Amp.	979.9979	
	3,15 Amp.	979.9949	