

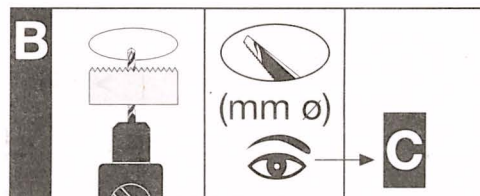
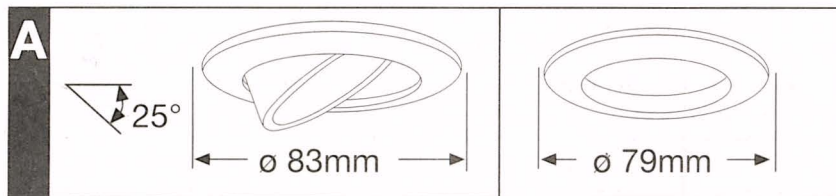
Safety Instructions

0, 1, 2, 4, 5b, 7, 8, 9, 11, 12, 15, 16, 17, 19, 20, 21, 23, 25, 29

Paulmann Licht GmbH
Quezinger Feld 2
D-31832 Springe
www.paulmann.com

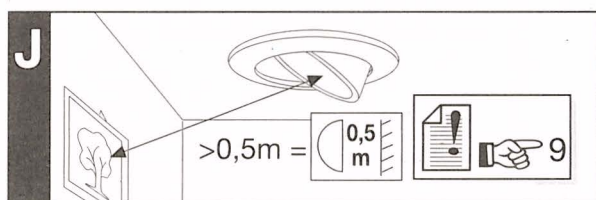
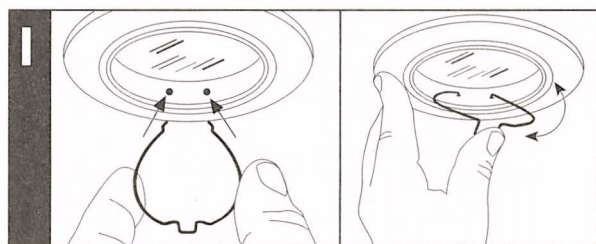
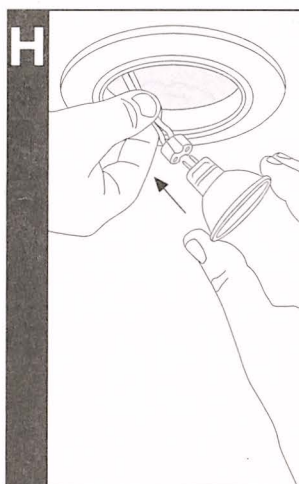
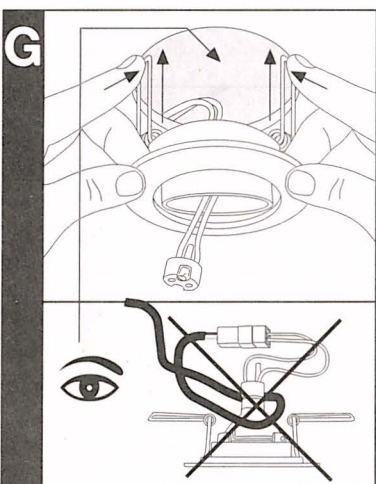
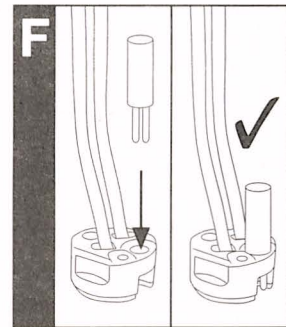
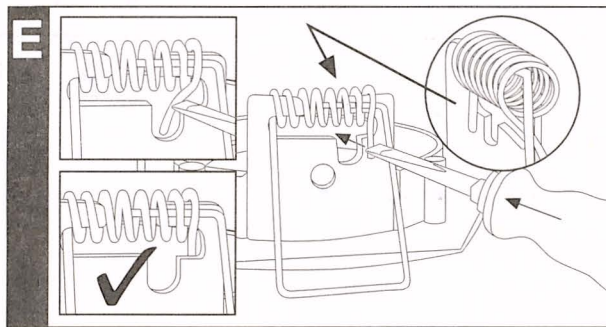
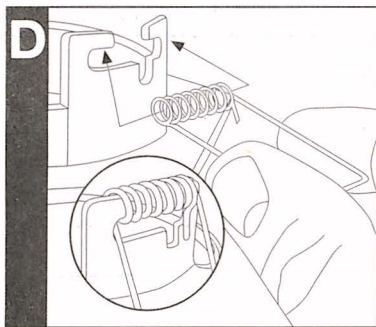
☎ +49 (0) 5041 998 389
Mon. - Do. ☉ 7⁰⁰ - 20⁰⁰
Fr. ☉ 7⁰⁰ - 17⁰⁰

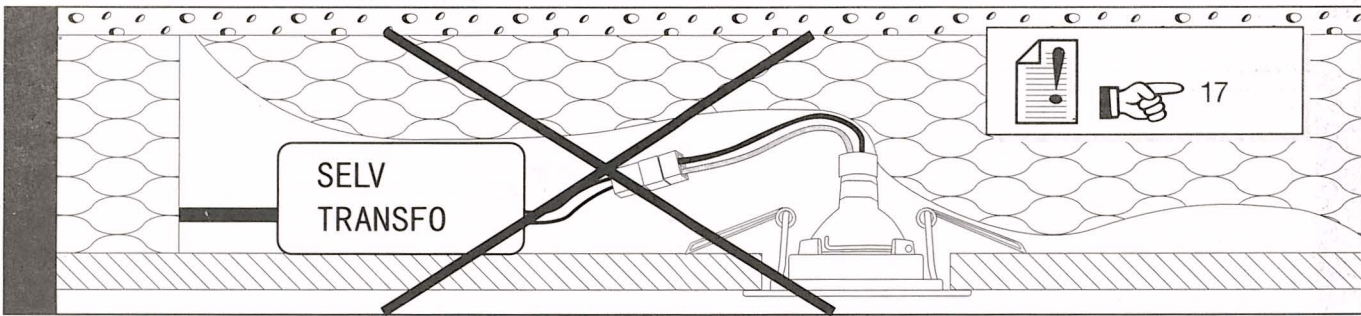
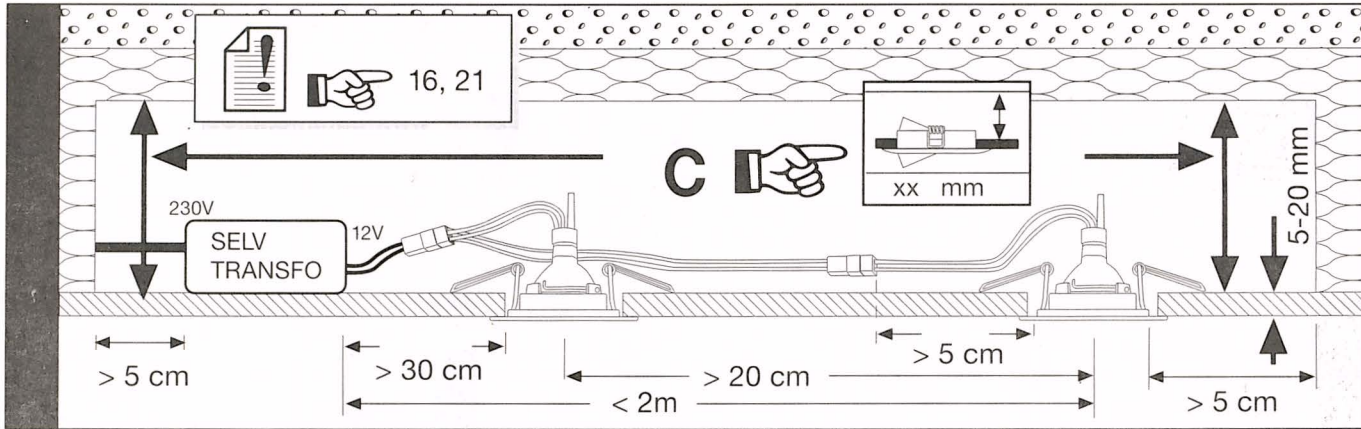
INFO-LINE


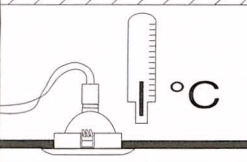


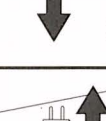


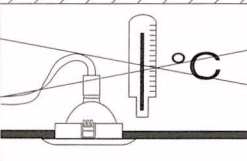

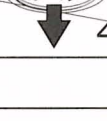


C

	[mm]	Security [W]	[mm]	Security [W]	[mm]	Security [W]	[mm]
	68	50	60	35	60	50	90
	70	50	60	35	60	50	90





 Paulmann SECURITY		  20 %  80 %	 Art. No. 20 W 51mm GU5,3 832.21 35 W 51mm GU5,3 832.31 50 W 51mm GU5,3 832.51
		 60 %  40 %	

