

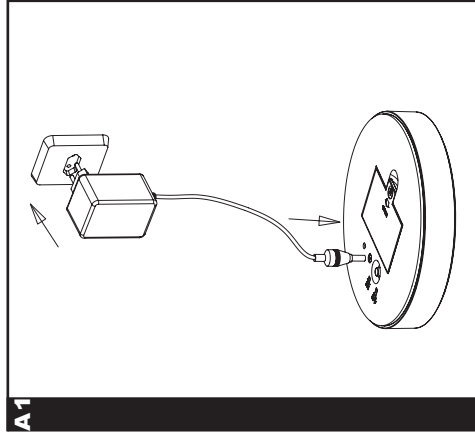
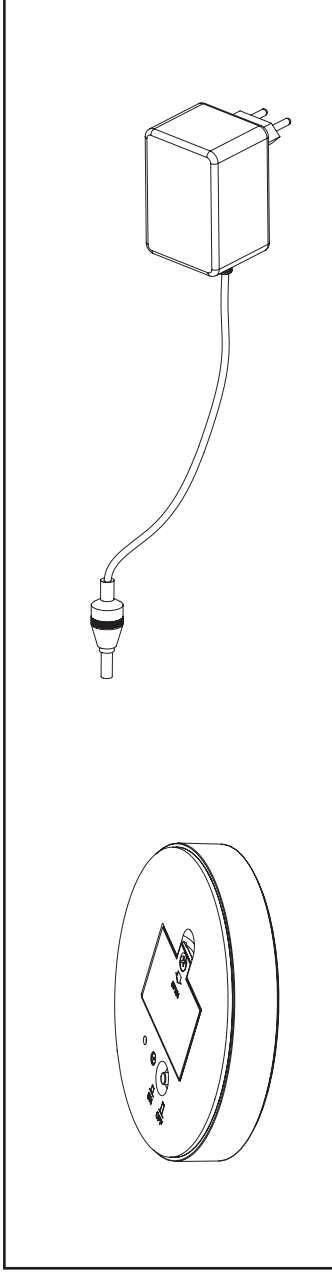
Safety Instructions



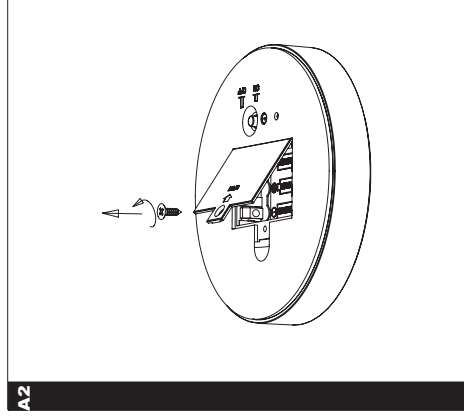
0, 4, 5b, 6, 7, 8, 9, 10, 11, 13,
15, 20, 25, 28

Paulmann Licht GmbH
Quezinger Feld 2 · D-31832 Springe
www.paulmann.com

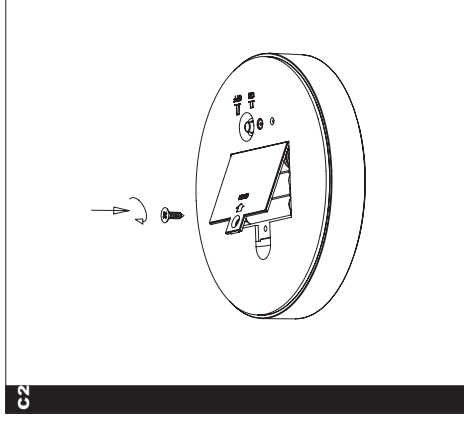
+49(0)5041 998 389
Mo. - Do. 7⁰⁰ - 20⁰⁰
Fr. 7⁰⁰ - 17⁰⁰



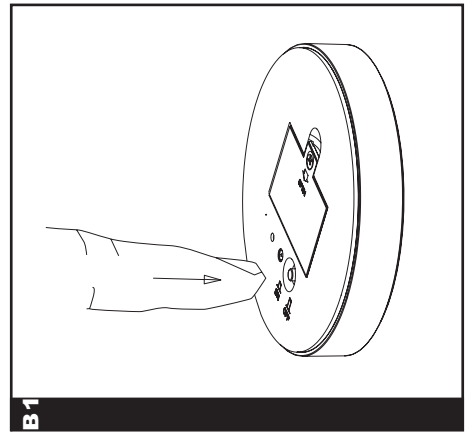
A1



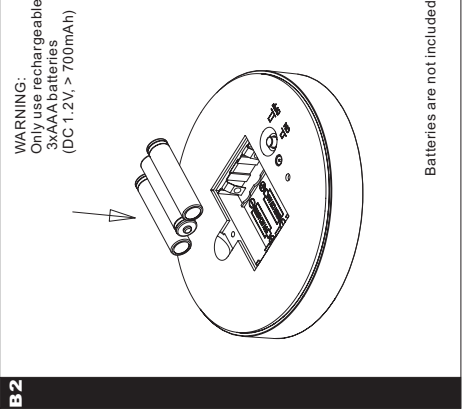
A2



C2

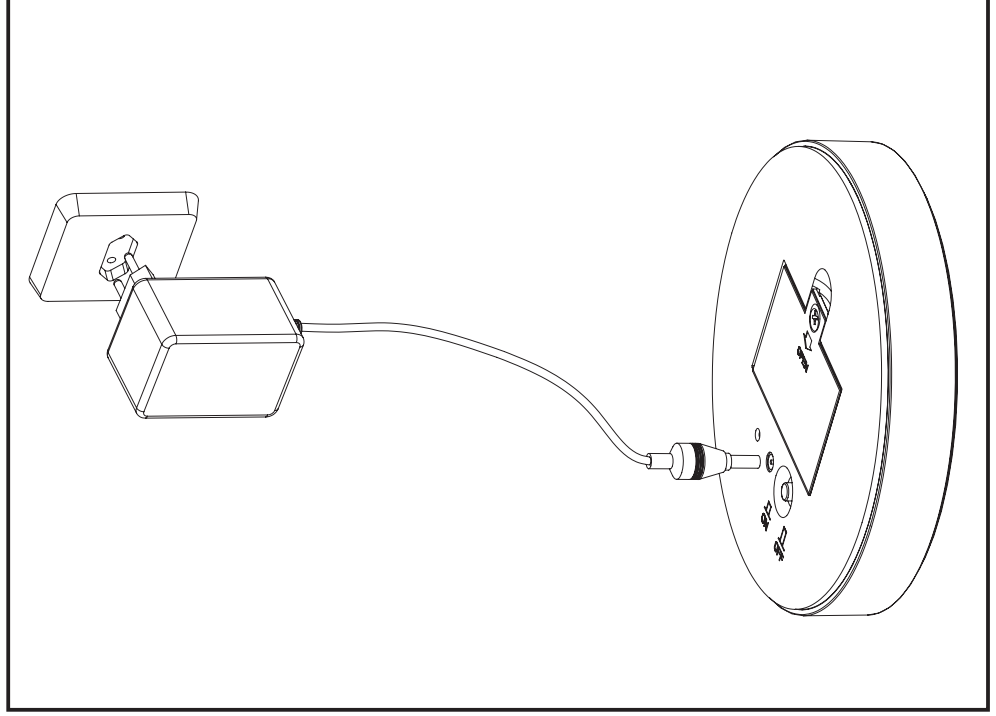


B1



B2

D2



Batteries are not included