




Safety Instructions



0,6, 11, 13, 15,22,

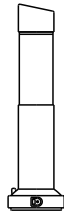
 Info Hotline **+49 (0) 5041 998 389**
Mon. - Do. 7⁰⁰ - 20⁰⁰
Fr. 7⁰⁰ - 17⁰⁰

Paulmann Licht GmbH
31832 Springe / Germany
www.paulmann.com

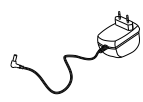
Art.-Nr.:
3449

(+MA 173)

PCI 07/09



X1



DC 4.5V 100mA

