



Safety Instructions



0, 1, 2, 4, 6, 7, 8, 9, 11, 15, 22,



Info Hotline

+49 (0) 5041 998 389

Mon. - Do. 7⁰⁰ - 20⁰⁰

Fr. 7⁰⁰ - 17⁰⁰



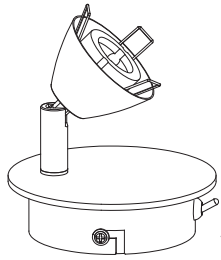
Paulmann Licht GmbH
31832 Springe / Germany
www.paulmann.com

Art.-Nr.:

60076

(+MA 173)

PEA 05/10



1X

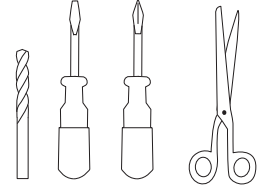
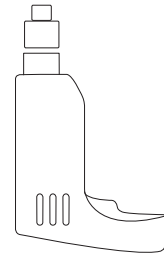
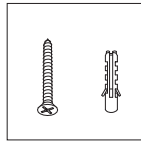


1X

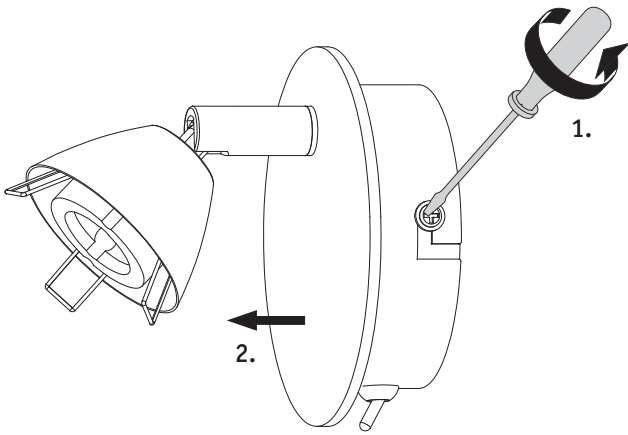


1X

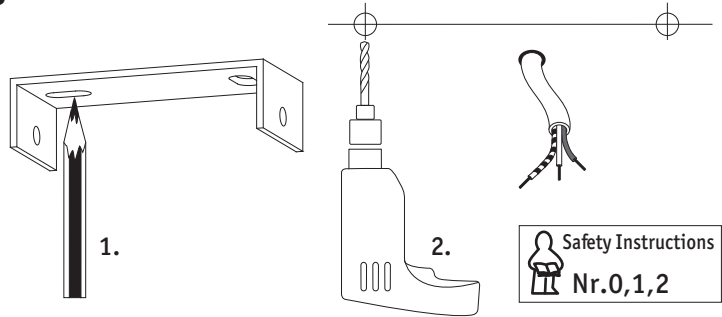
Incl.



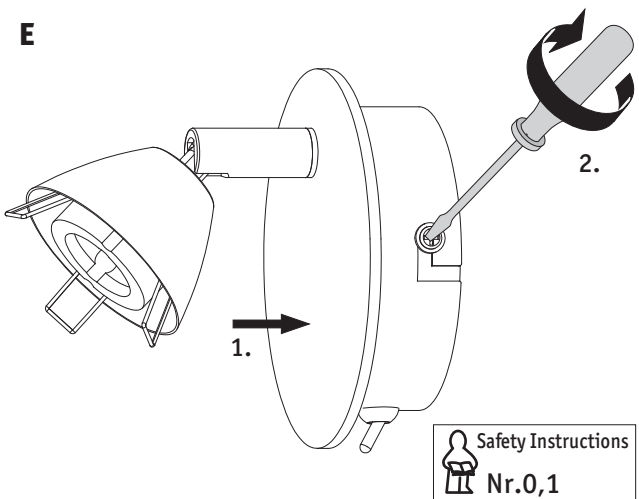
A



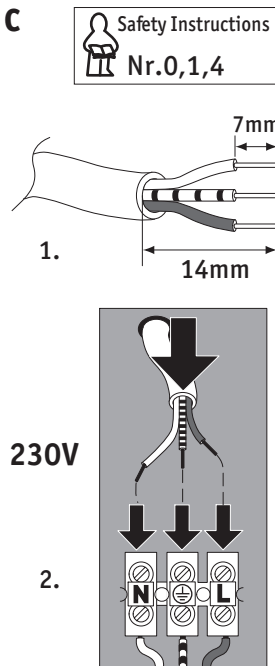
B



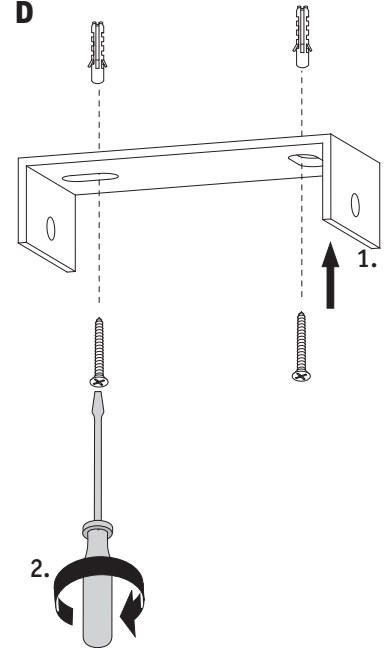
E



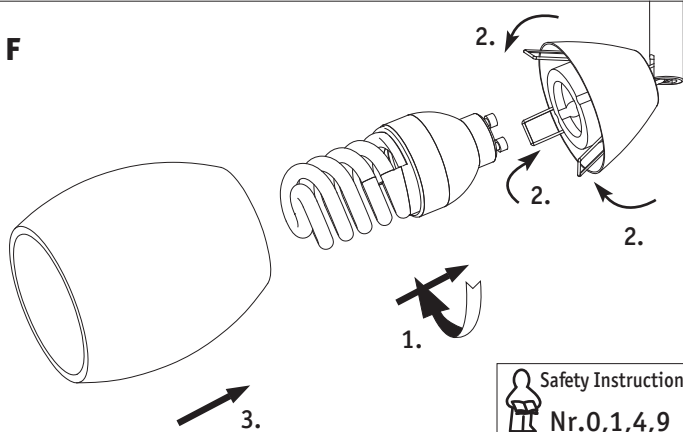
C



D



F



G

