



Safety Instructions

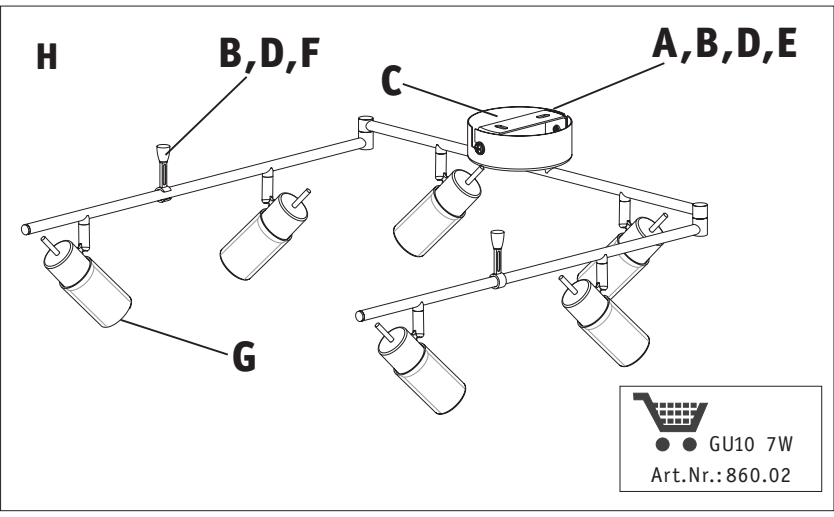
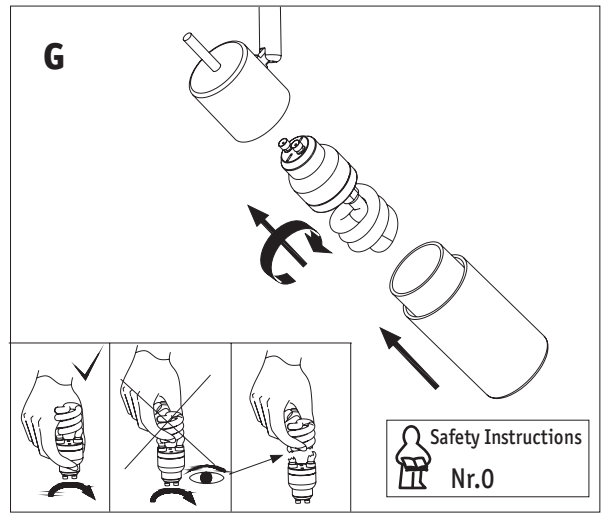
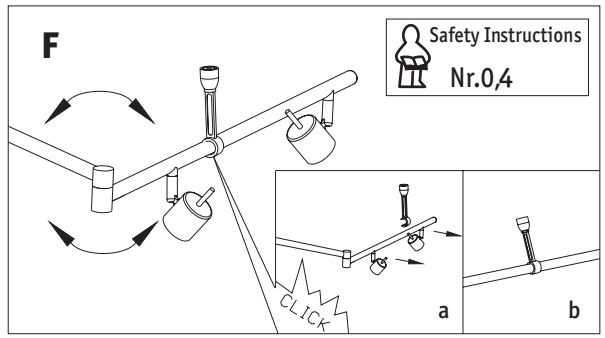
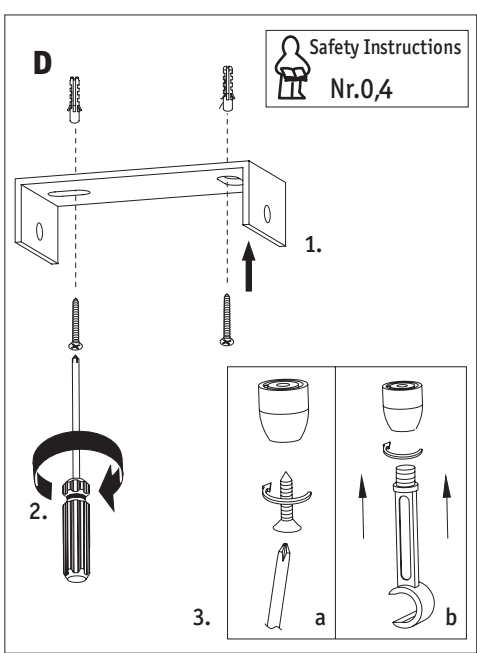
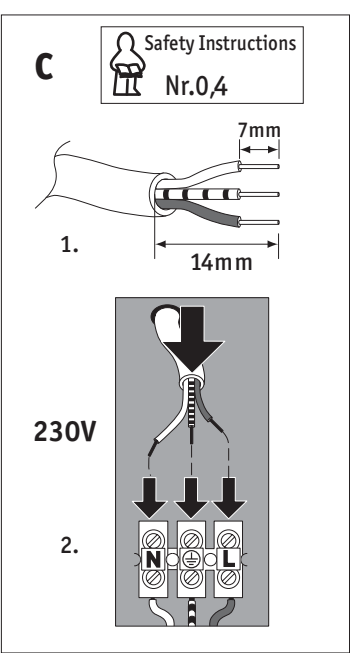
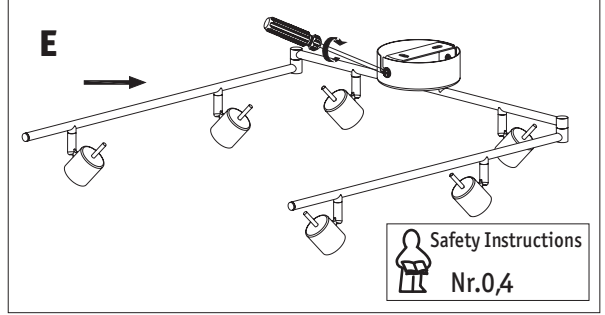
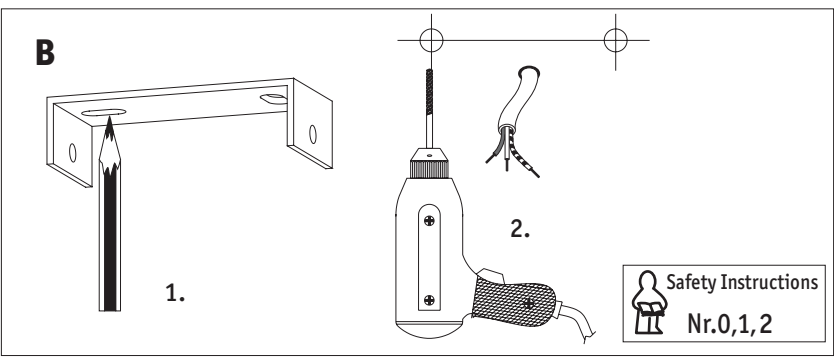
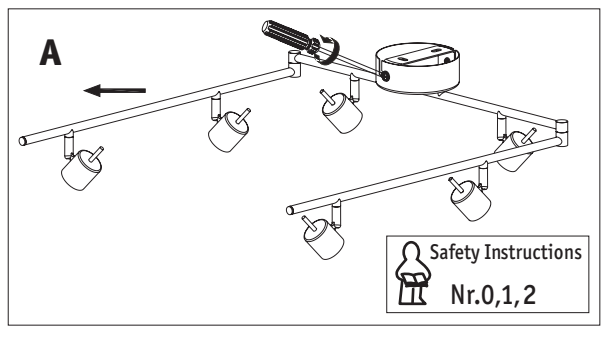
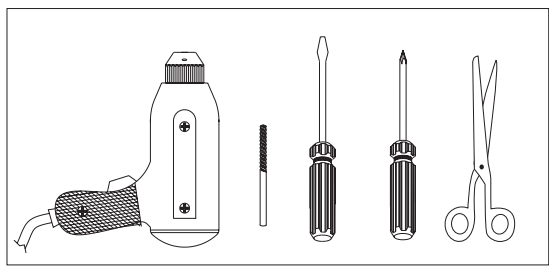
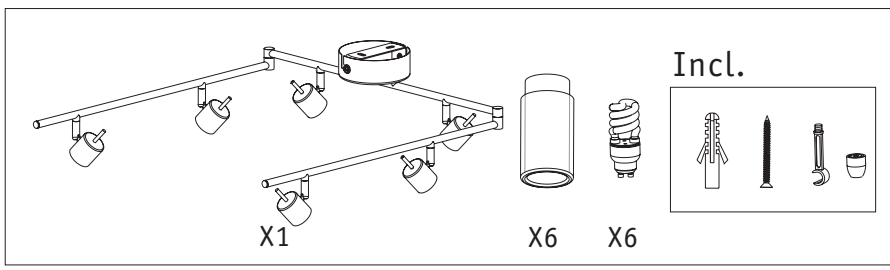
0,1,2,3,4,6,7,8,11,
15,18,22,26,27

Info Hotline **+49 (0) 5041 998 389**
Mon.-Do. 7⁰⁰ - 20⁰⁰
Fr. 7⁰⁰ - 17⁰⁰

Paulmann Licht GmbH
31832 Springe / Germany
www.paulmann.com

Art.-Nr.:
600.84

(+MA 173)
PWA 05/10



GU10 7W
Art.Nr.: 860.02