



# Safety Instructions



0, 1, 2, 3, 4, 6, 7, 8, 9, 10, 11,  
15, 18, 22, 25, 26, 27



Info Hotline

+49 (0) 5041 998 389

Mon. - Do. 7<sup>00</sup> - 20<sup>00</sup>

Fr. 7<sup>00</sup> - 17<sup>00</sup>

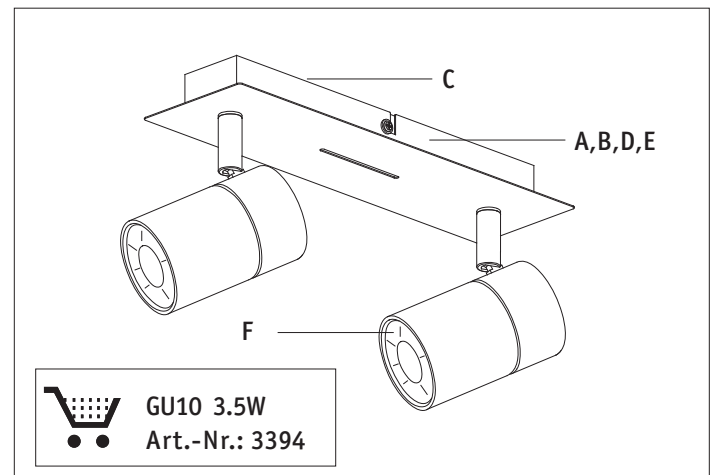
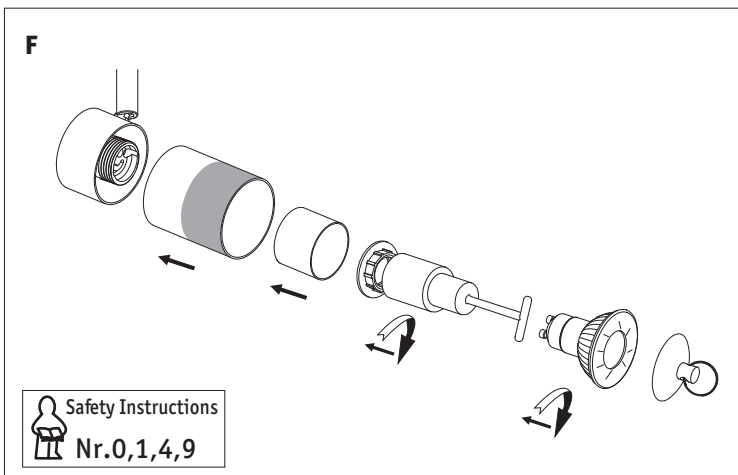
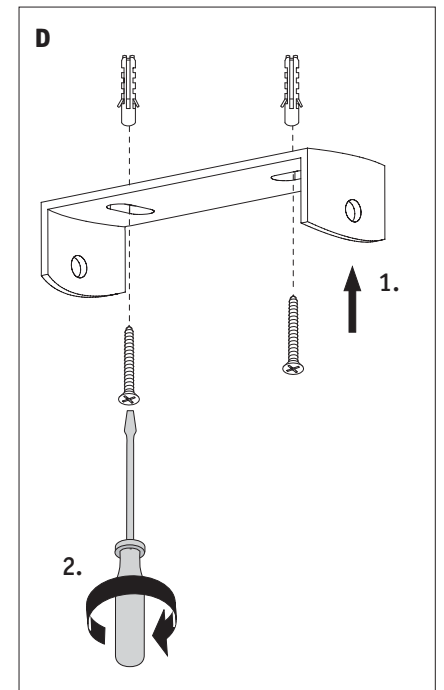
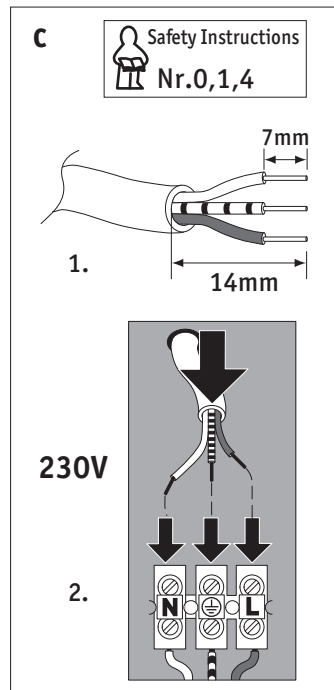
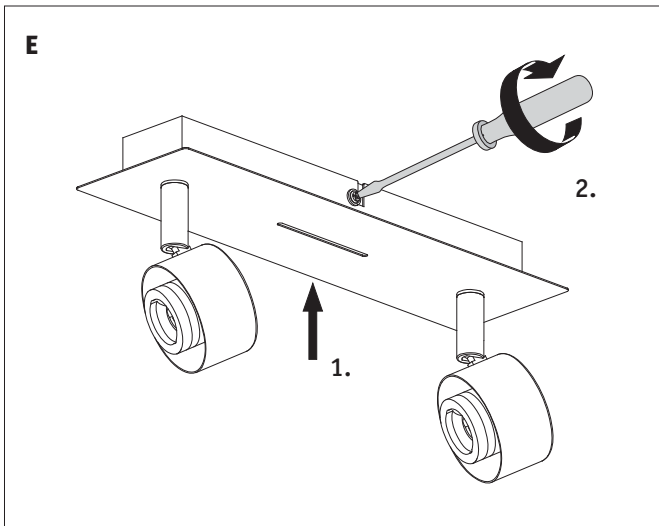
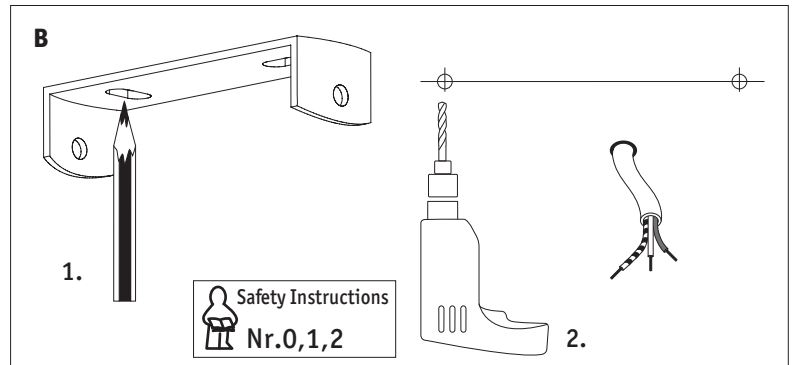
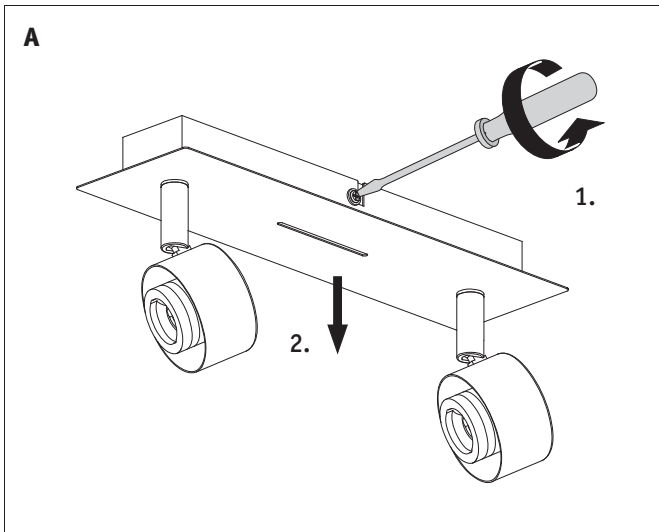
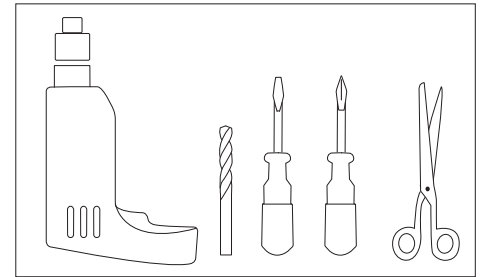
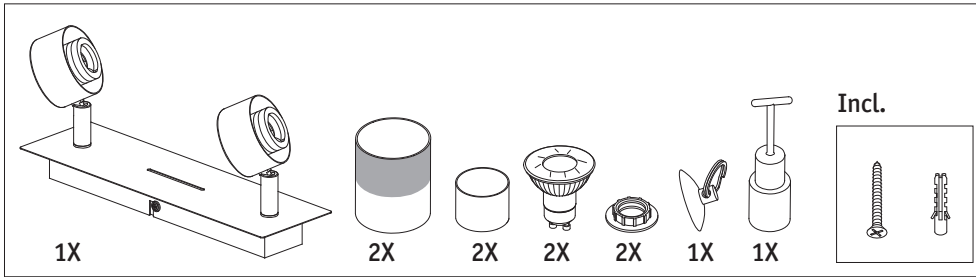


Paulmann Licht GmbH  
31832 Springe / Germany  
www.paulmann.com

Art.-Nr.:  
**60187**

(+MA 173)

PEA 05/12



Safety Instructions  
Nr. 0,1,4,9

GU10 3.5W  
Art.-Nr.: 3394