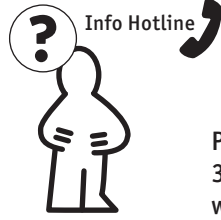




Safety Instructions



0, 1, 2, 3, 4, 6, 7, 8, 9, 11,
15, 18, 22, 25, 26, 27



Info Hotline **+49 (0) 5041 998 389**

Mon. - Do. 7⁰⁰ - 20⁰⁰

Fr. 7⁰⁰ - 17⁰⁰

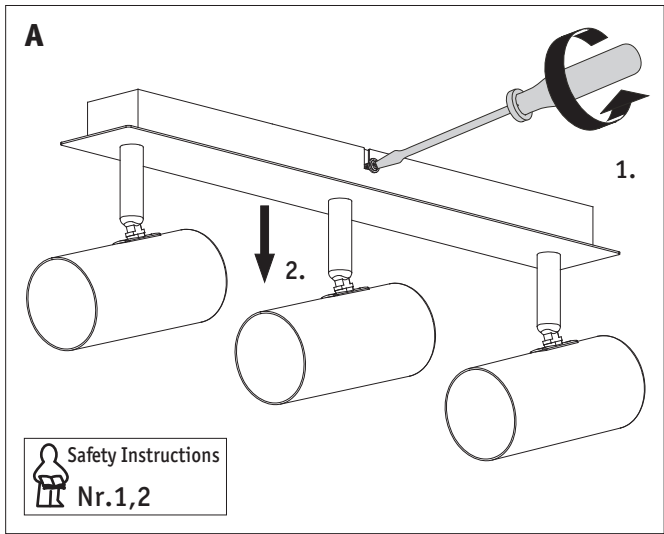
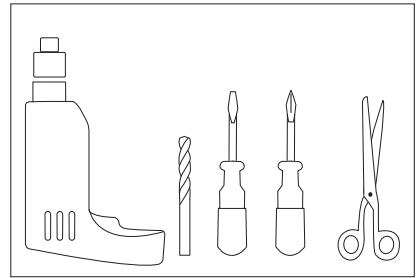
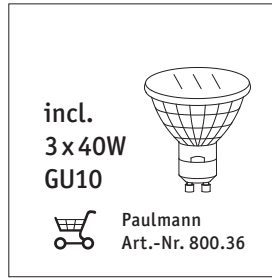
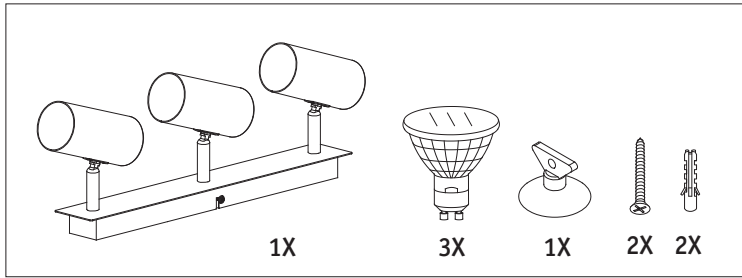
Paulmann Licht GmbH
31832 Springe / Germany
www.paulmann.com

Art.-Nr.:

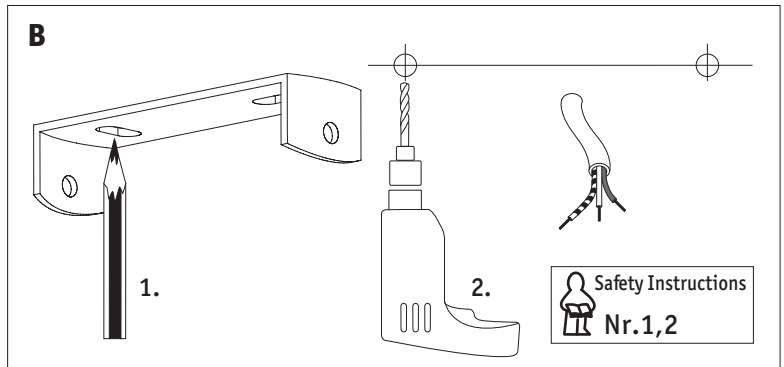
602.74

(+MA 173)

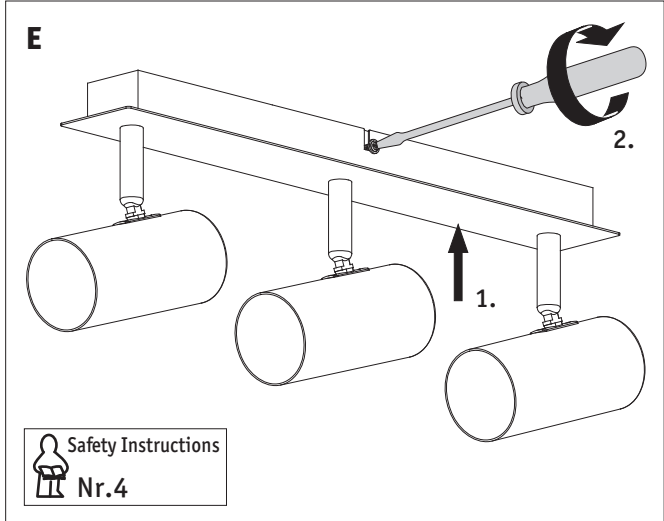
PEA 11/13



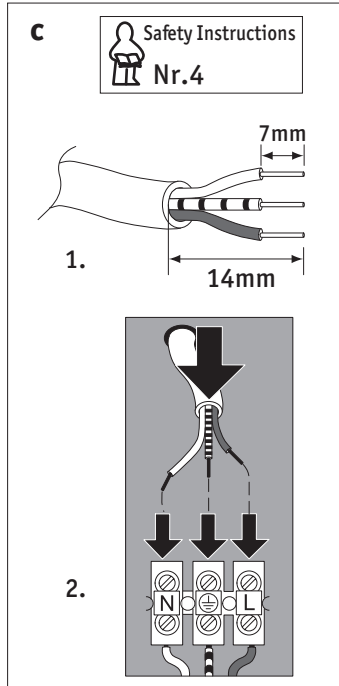
Safety Instructions
Nr. 1,2



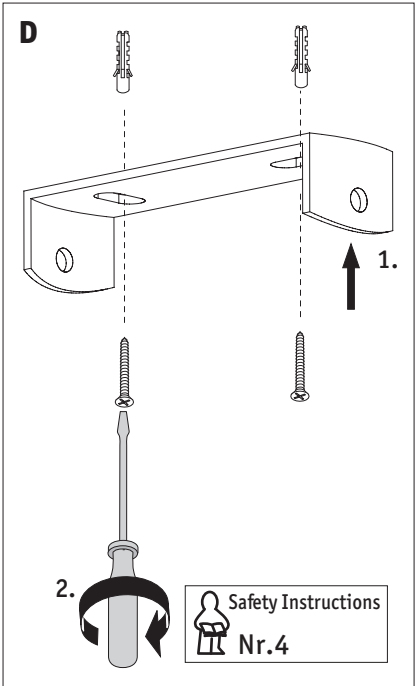
Safety Instructions
Nr. 1,2



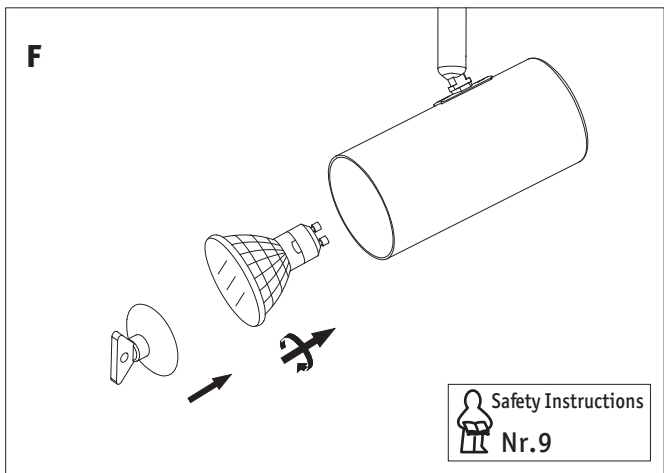
Safety Instructions
Nr. 4



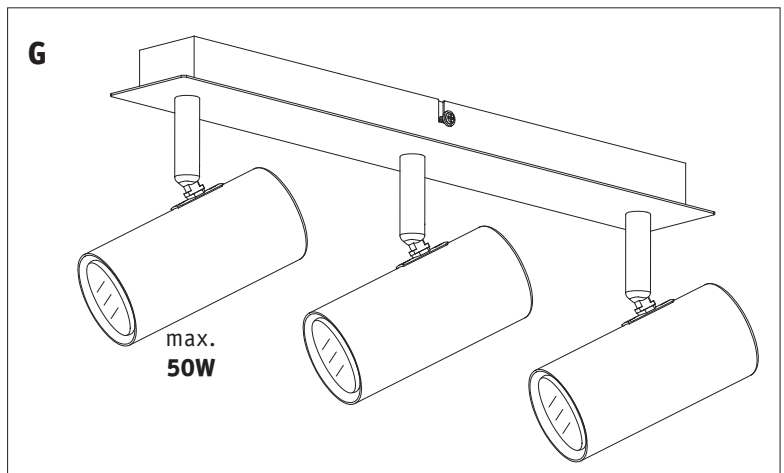
Safety Instructions
Nr. 4



Safety Instructions
Nr. 4



Safety Instructions
Nr. 9



max.
50W