



# Safety Instructions



0, 1, 2, 4, 6, 7, 8, 9, 11,  
15, 18, 22, 25, 26, 27



Info Hotline **+49 (0) 5041 998 389**

Mon. - Do. 7<sup>00</sup> - 20<sup>00</sup>

Fr. 7<sup>00</sup> - 17<sup>00</sup>

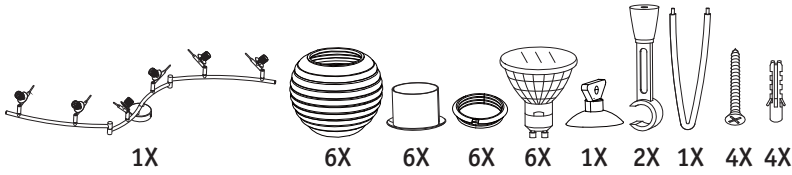


Paulmann Licht GmbH  
31832 Springe / Germany  
www.paulmann.com

Art.-Nr.:  
**602.84**

(+MA 173)

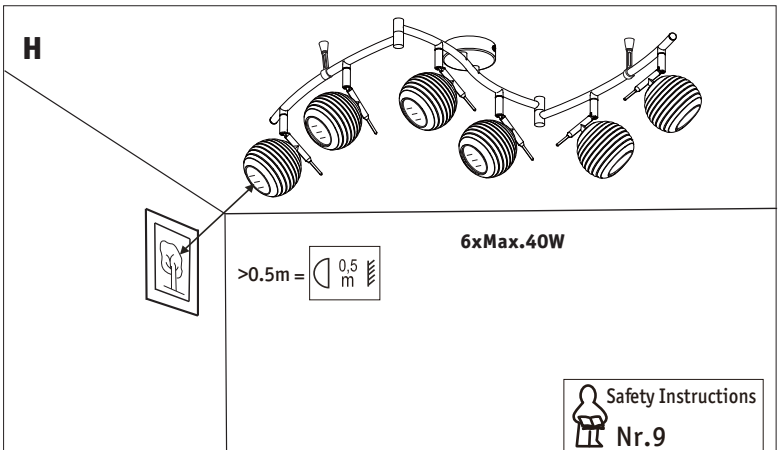
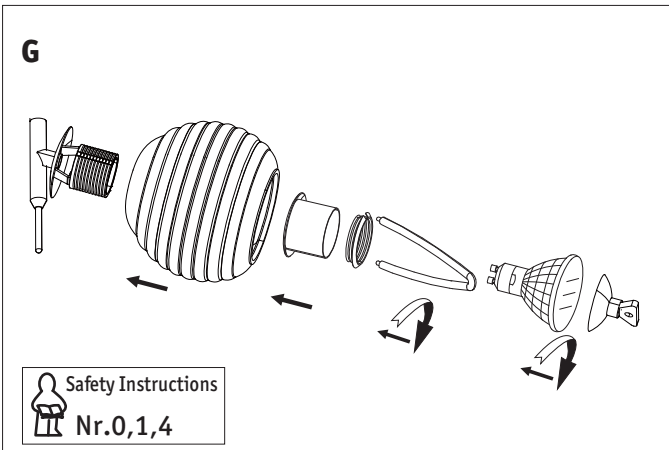
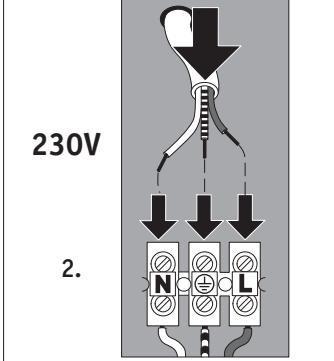
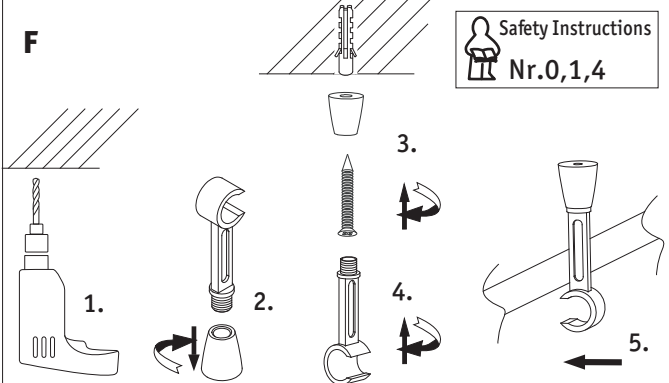
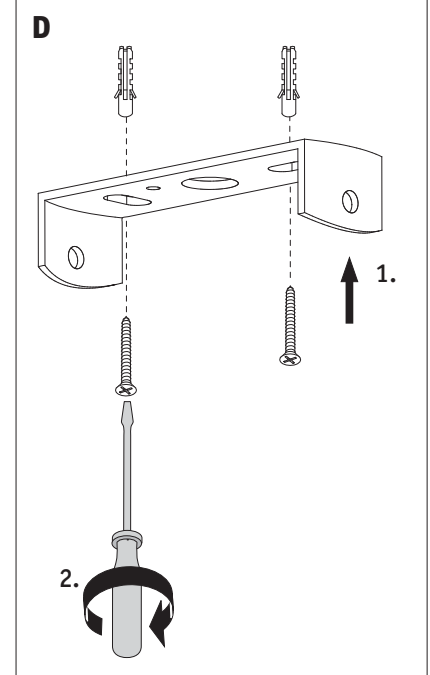
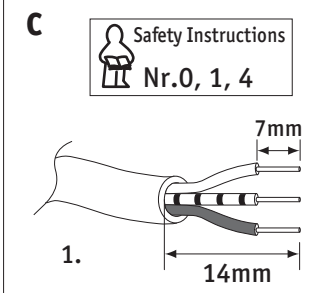
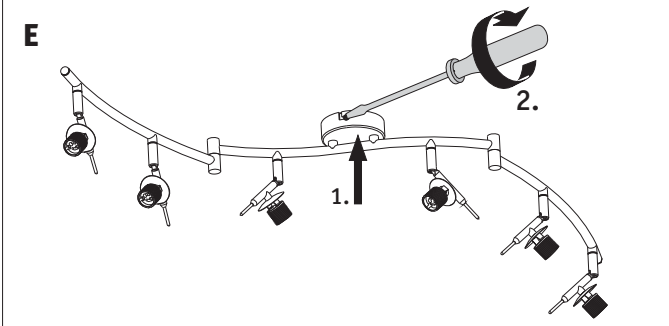
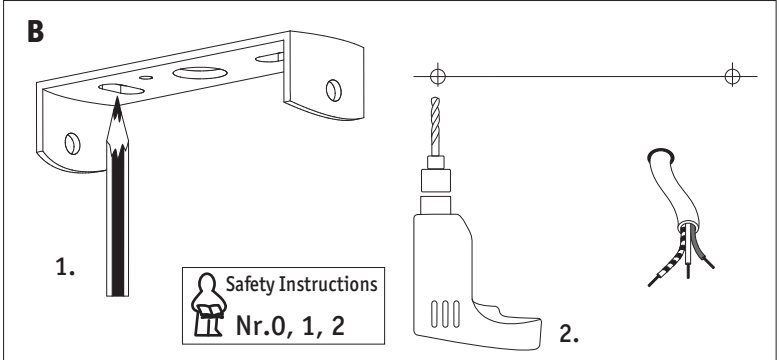
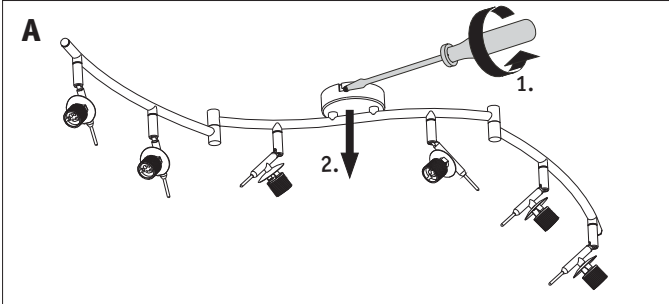
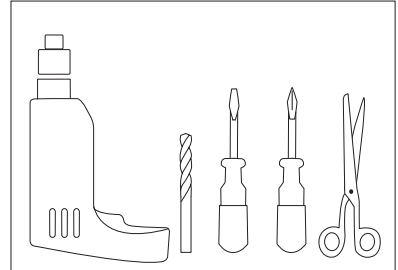
PEA 06/14



incl.  
6 x 40W  
GU10



Paulmann  
Art.-Nr. 800.36



Safety Instructions  
Nr. 0, 1, 4

Safety Instructions  
Nr. 9