



Safety Instructions



0, 1, 2, 4, 6, 7, 8, 9, 11,
15, 18, 22, 25, 26, 27



Info Hotline **+49 (0) 5041 998 389**

Mon. - Do. 7⁰⁰ - 20⁰⁰

Fr. 7⁰⁰ - 17⁰⁰

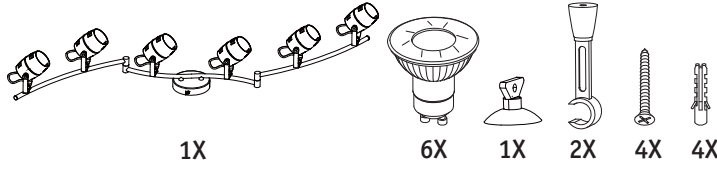


Paulmann Licht GmbH
31832 Springe / Germany
www.paulmann.com

Art.-Nr.:
602.89

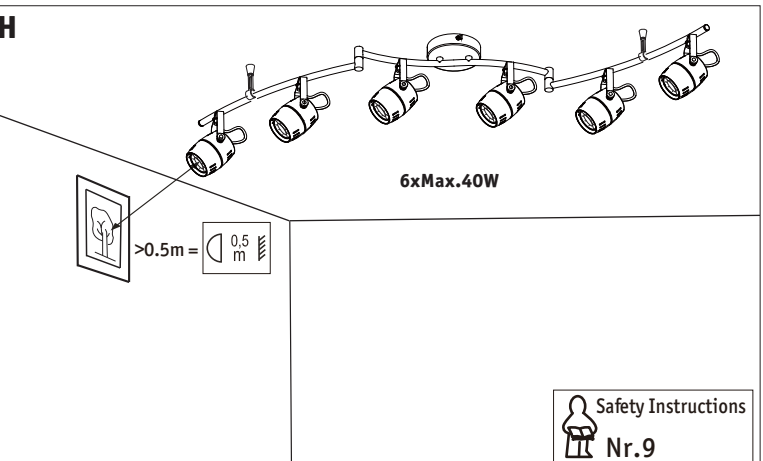
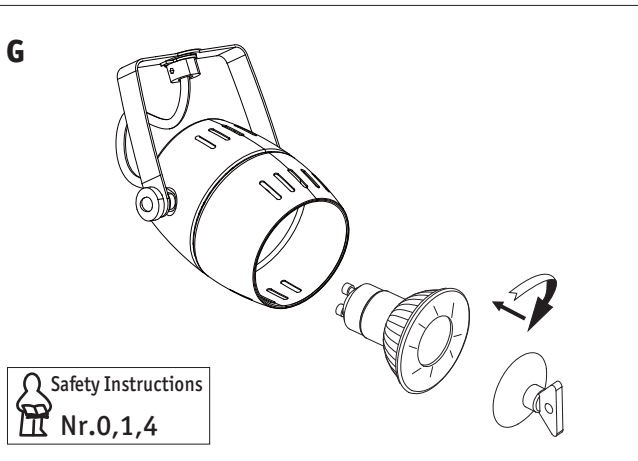
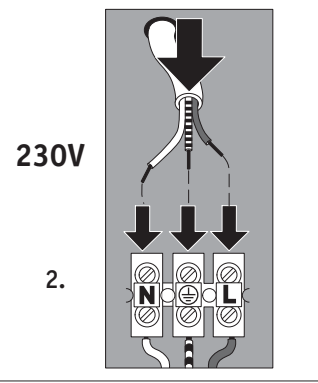
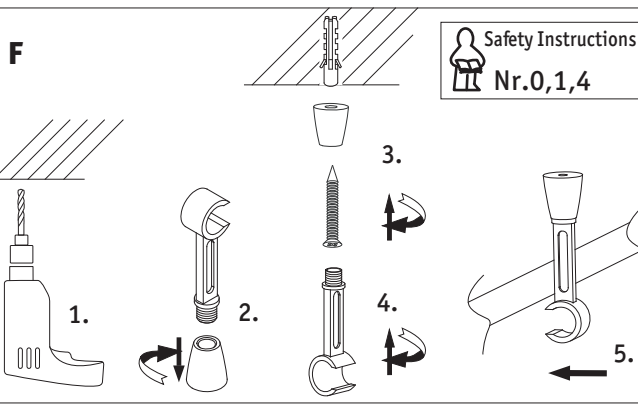
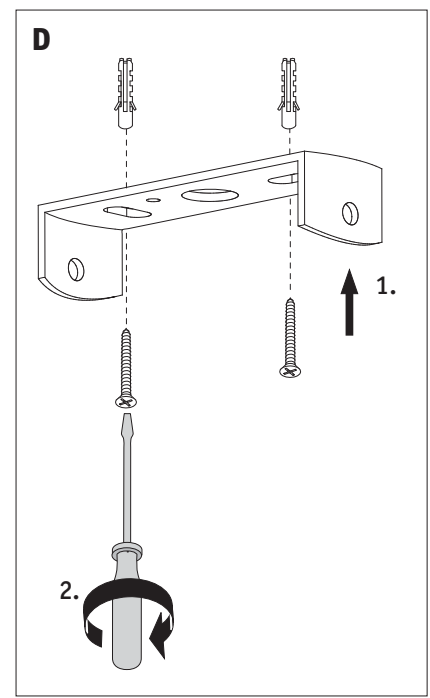
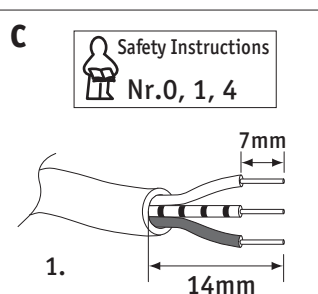
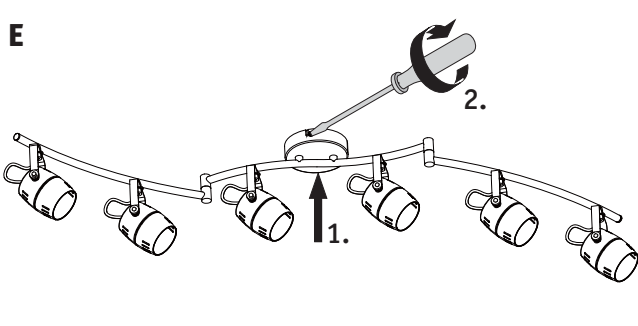
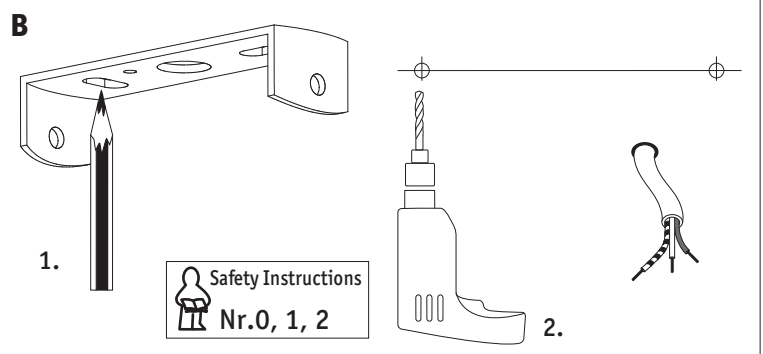
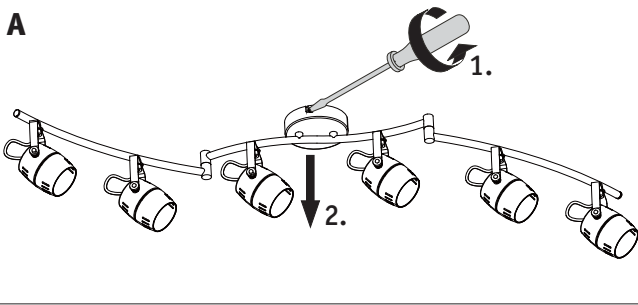
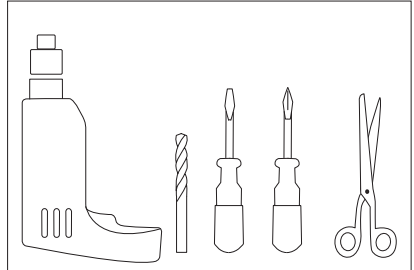
(+MA 173)

PEA 06/14



incl.
6 x 3.5W
GU10

Paulmann
Art.-Nr. 282.19



Safety Instructions
Nr. 0, 1, 4

Safety Instructions
Nr. 9