

Safety Instructions



0,1,2,4,6,7,8,9,11,
15,18,20,22,27



Info Hotline



+49 (0) 5041 998 389

Mon.-Do. 7⁰⁰-20⁰⁰

Fr. 7⁰⁰-17⁰⁰

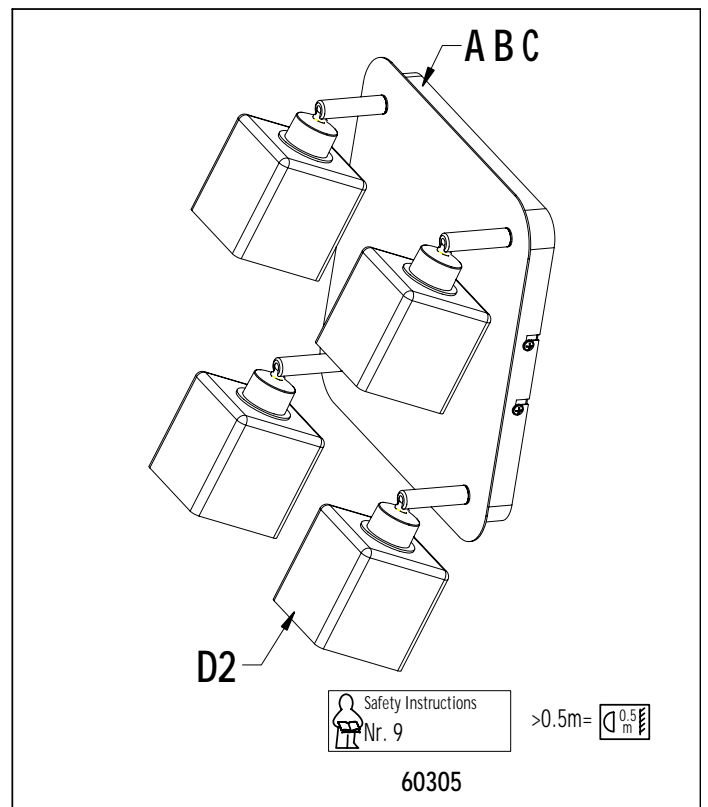
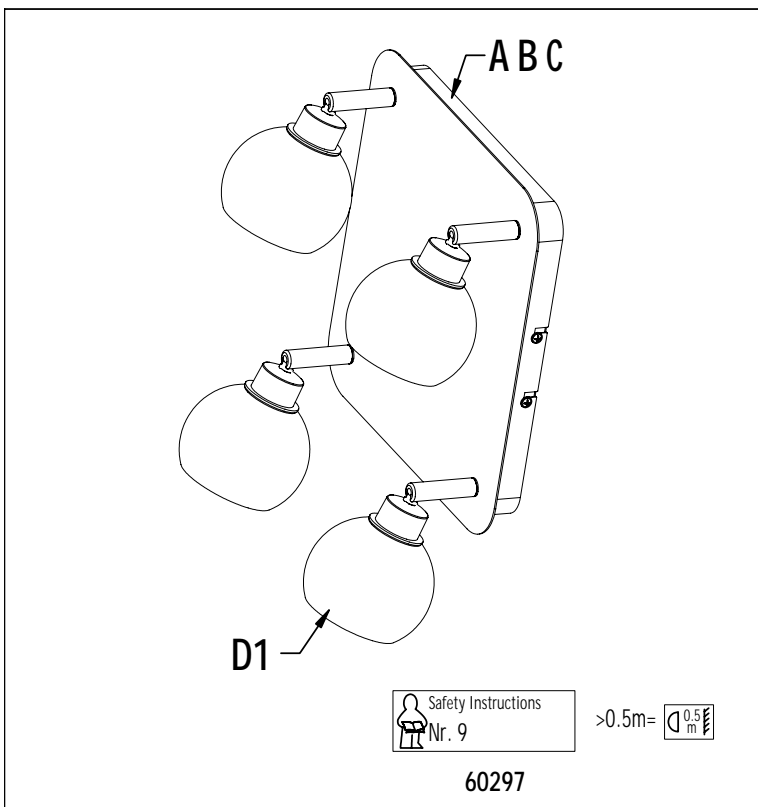
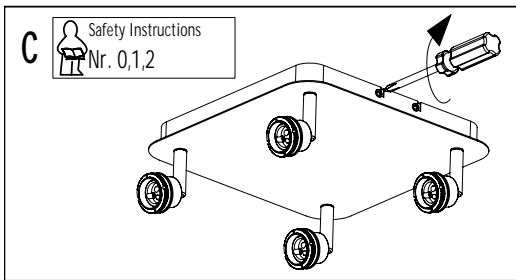
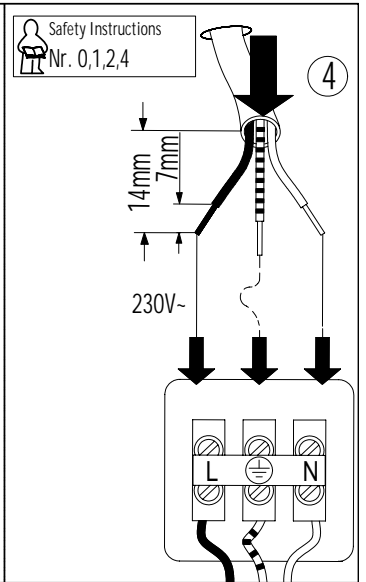
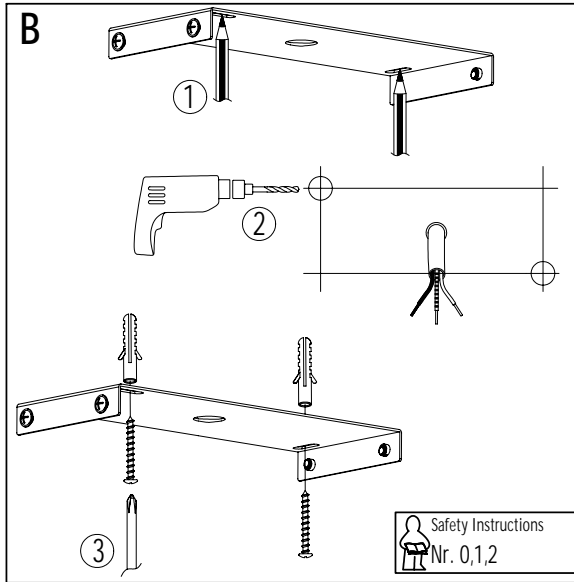
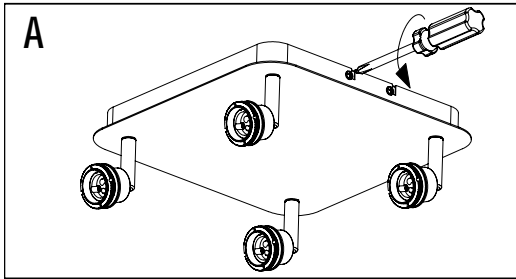
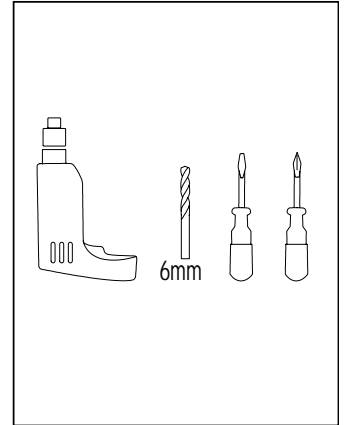
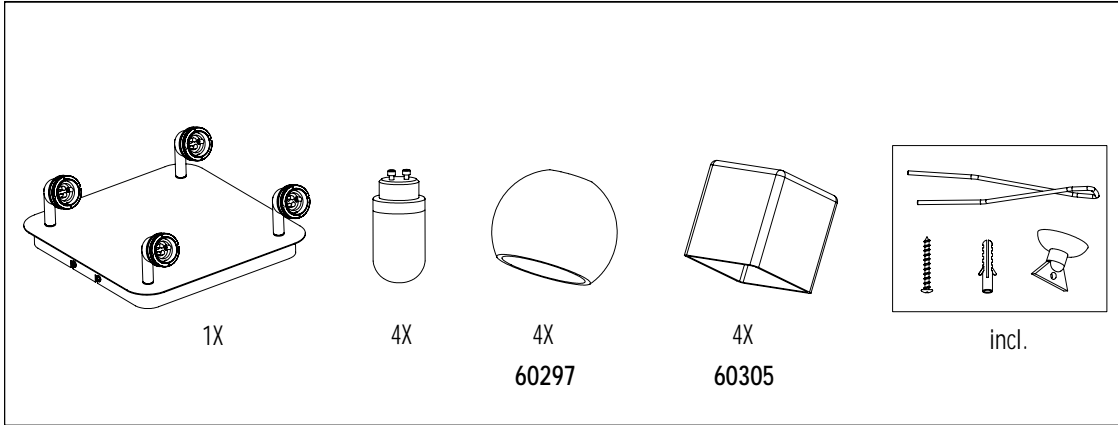


Paulmann Licht GmbH
31832 Springe / Germany
www.paulmann.com

Art.-Nr.:
60297
60305

(+MA 173)

PDG 05/14





0,1,2,4,6,7,8,9,11,
15,18,20,22,27

Info Hotline



+49 (0) 5041 998 389

Mon.-Do. 7⁰⁰-20⁰⁰

Fr. 7⁰⁰-17⁰⁰



Paulmann Licht GmbH
31832 Springe / Germany
www.paulmann.com

Art.-Nr.:
60297
60305

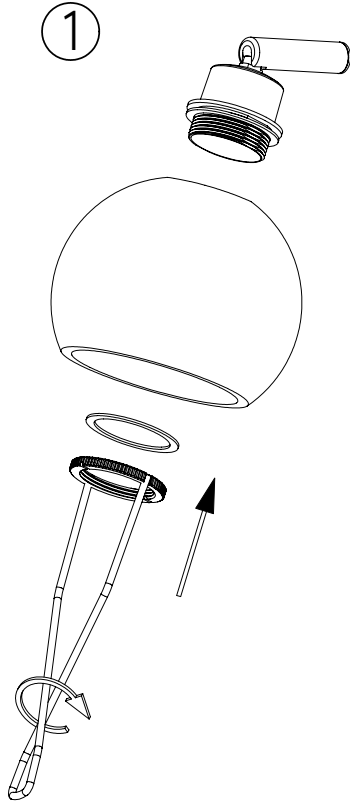
(+MA 173)

PDG 05/14

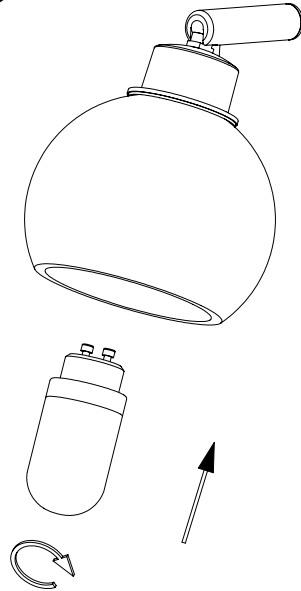


D1

Safety Instructions
Nr. 0,1

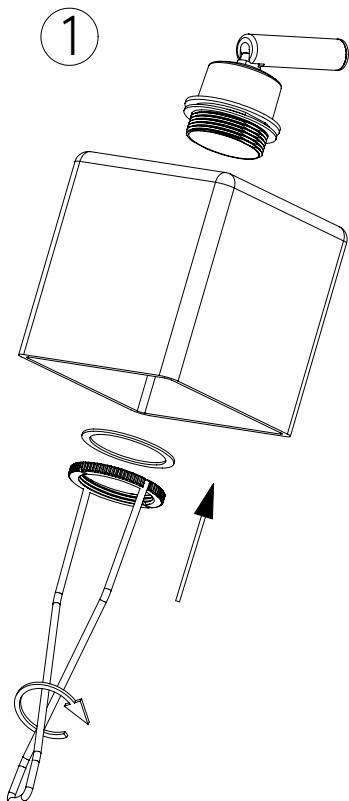


2



D2

Safety Instructions
Nr. 0,1



2

