



Safety Instructions

0,1,2,4,6,11,15,18,19,25,26,27



Info Hotline

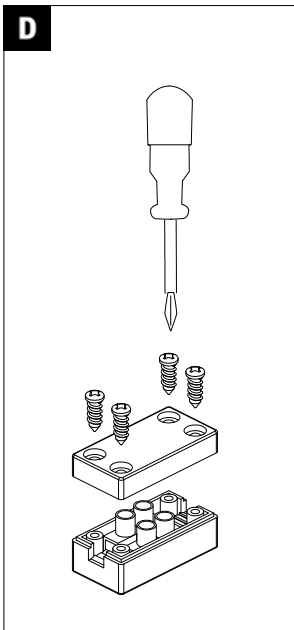
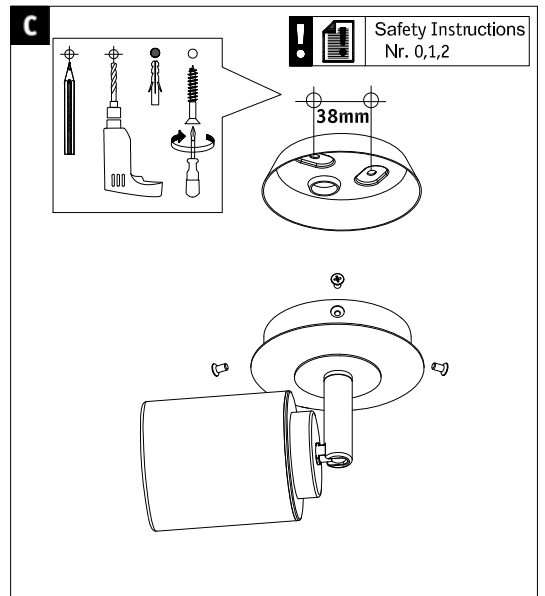
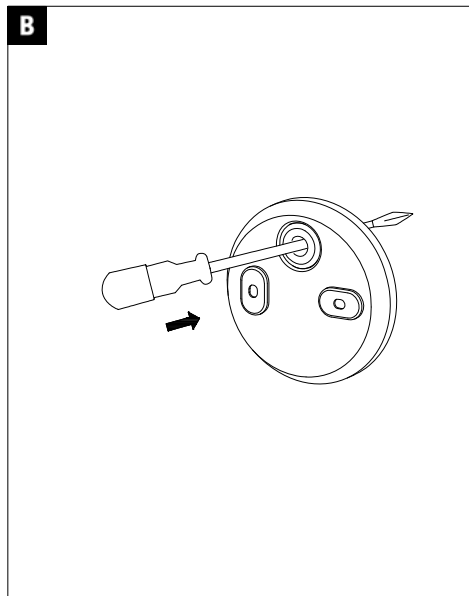
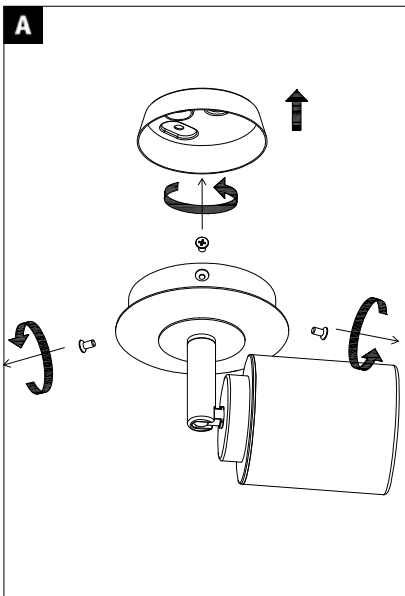
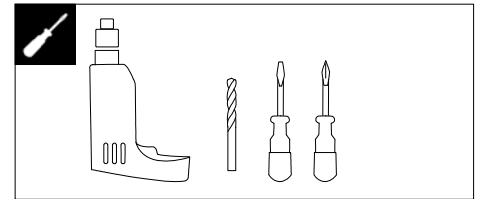
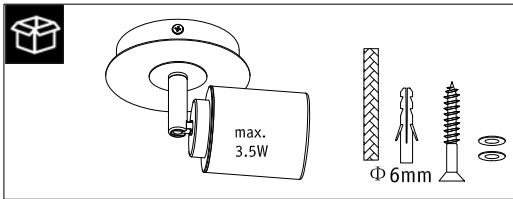
+49(0)5041 998 389
Mon.-Do. 7⁰⁰ - 20⁰⁰
Fr. 7⁰⁰ - 17⁰⁰

Paulmann Licht GmbH
Quezinger Feld 2
31832 Springe
Germany

www.paulmann.com

Art.-Nr.:60344

(+MA 173) PYW 01/15



Safety Instructions
Nr. 0

