

## Safety Instructions



0, 1, 2, 4, 6, 7, 8, 9, 11,  
15, 22, 27



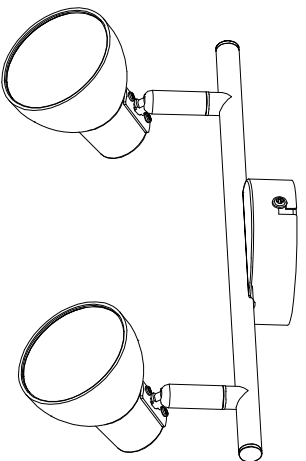
## Info Hotline

+49 (0) 5041 998 389  
Mon.-Do. 7<sup>00</sup> - 20<sup>00</sup>  
Fr. 7<sup>00</sup> - 17<sup>00</sup>

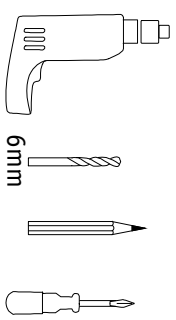
Paulmann Licht GmbH  
31832 Springe / Germany  
www.paulmann.com

Art.-Nr.:  
**603.55**

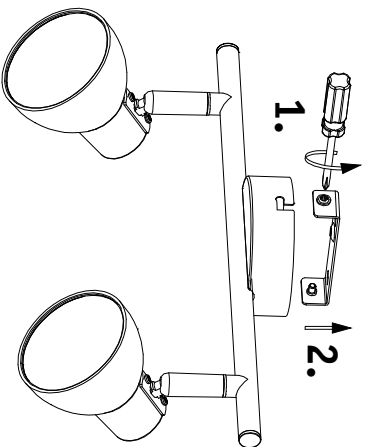
(+MA 173)  
PUP 12/14



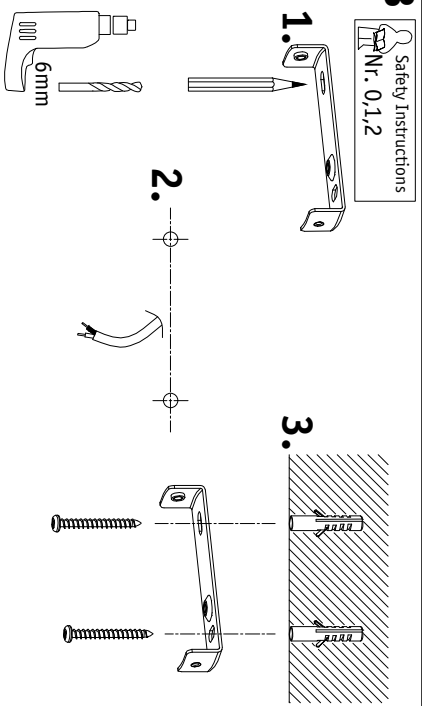
incl.



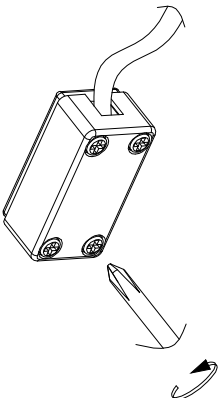
**A**



**B**

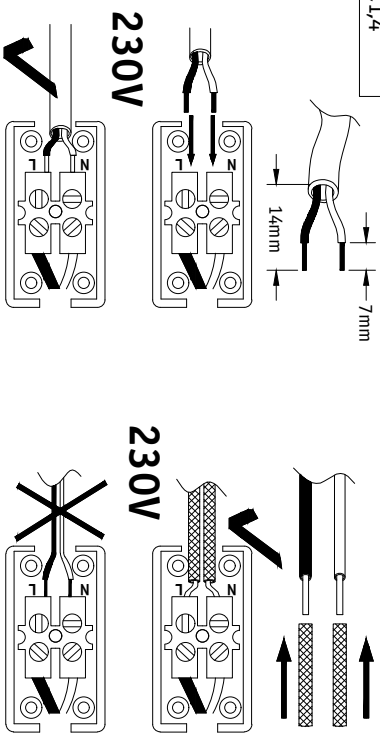


**C**

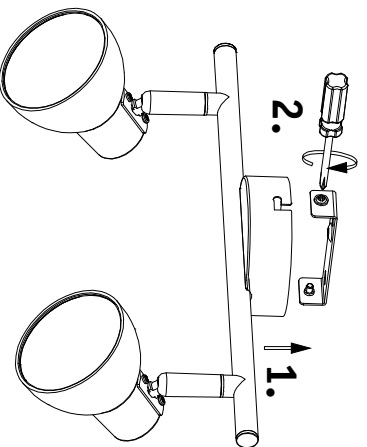


**D**

Safety Instructions  
PUP-Nr. 0,1,4



**E**



A,B,E

