

Safety Instructions



0, 1, 2, 4, 6, 7, 8, 9, 11,
15, 22, 27



Info Hotline

+49 (0) 5041 998 389

Mon.-Do. 7⁰⁰ - 20⁰⁰

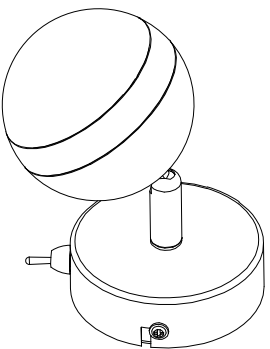
Fr. 7⁰⁰ - 17⁰⁰

Paulmann Licht GmbH
31832 Springe / Germany
www.paulmann.com

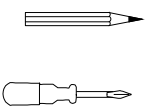
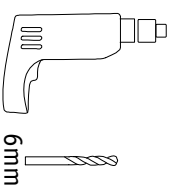
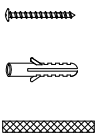
Art.-Nr.:
603.59

(+MA 173)

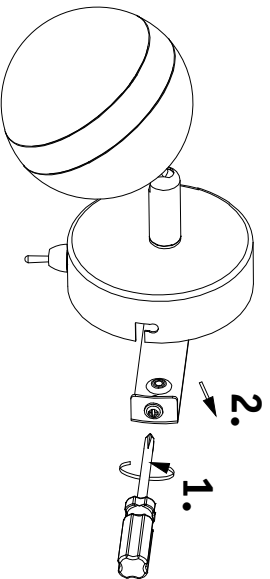
PUP 12/14



incl.

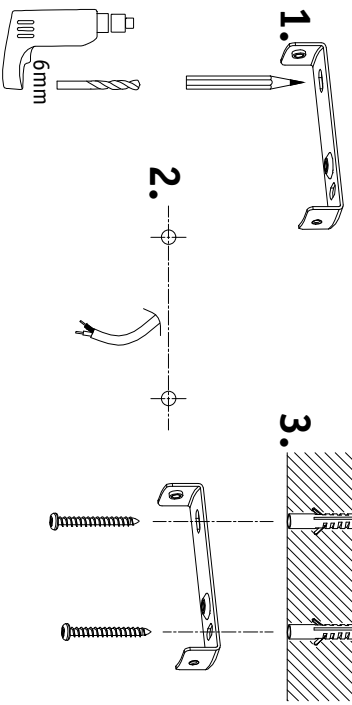


A

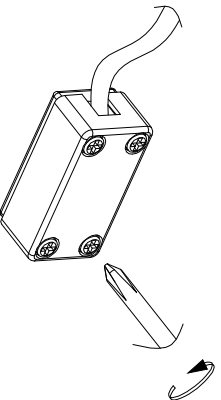


B

Safety Instructions
PNr. 0,1,2

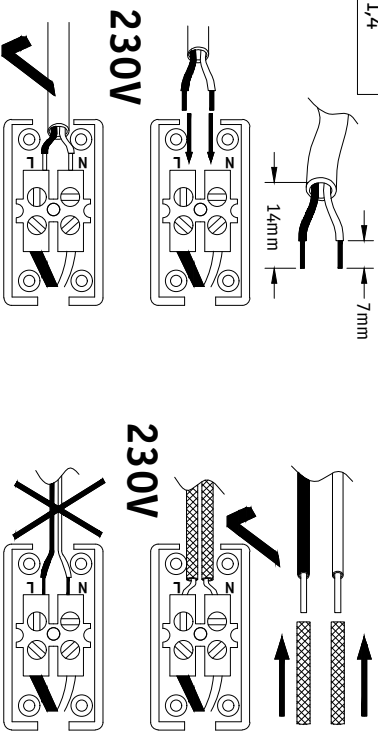


C

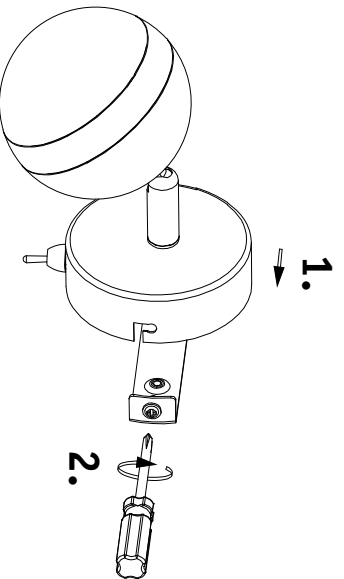


D

Safety Instructions
PNr. 0,1,4



E



A,B,E

