

Safety Instructions



0, 1, 2, 4, 6, 7, 8, 9, 11,
15, 22, 27



Info Hotline

+49 (0) 5041 998 389

Mon.-Do. 7⁰⁰ - 20⁰⁰

Fr. 7⁰⁰ - 17⁰⁰

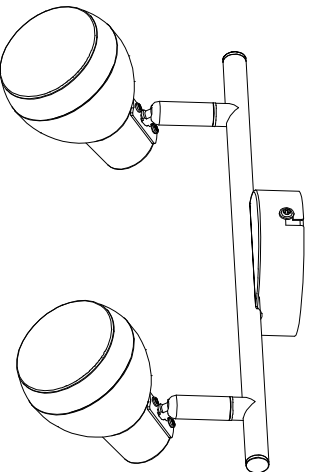
Paulmann Licht GmbH
31832 Springe / Germany
www.paulmann.com

Art.-Nr.:

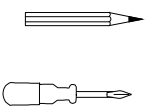
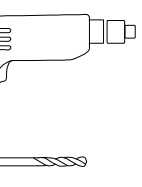
603.65

(+MA 173)

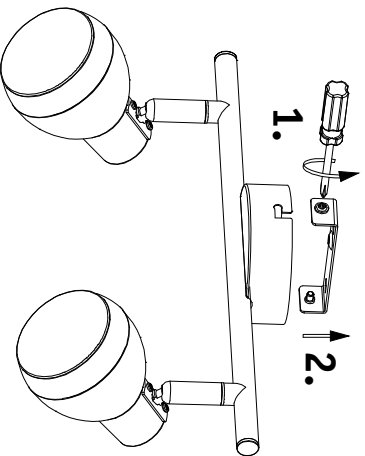
PUP 12/14



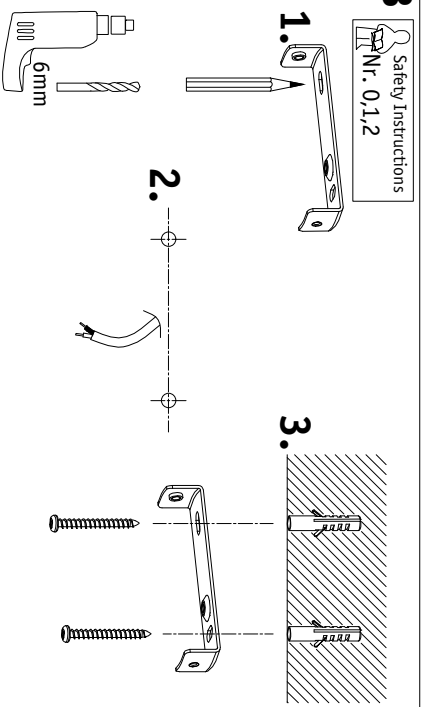
incl.



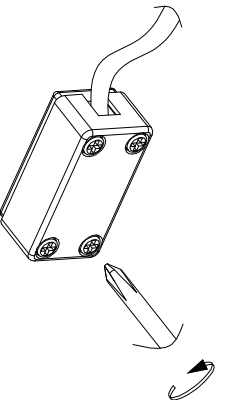
A



B

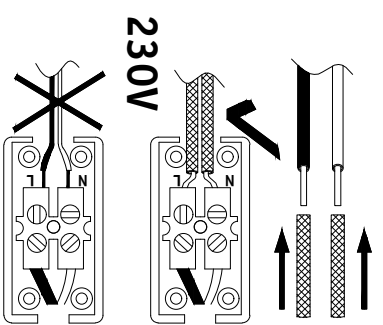
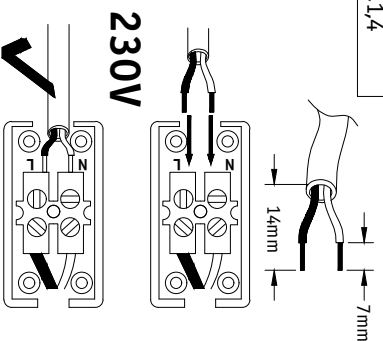


C

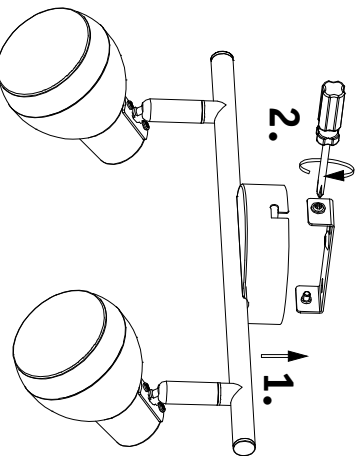


D

Safety Instructions
PUP-Nr. 0,1,4



E



A,B,E

