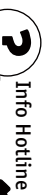


## Safety Instructions



0, 1, 2, 4, 6, 7, 8, 9, 11,  
15, 22, 27



Info Hotline

+49 (0) 5041 998 389

Mon.-Do. 7<sup>00</sup> - 20<sup>00</sup>

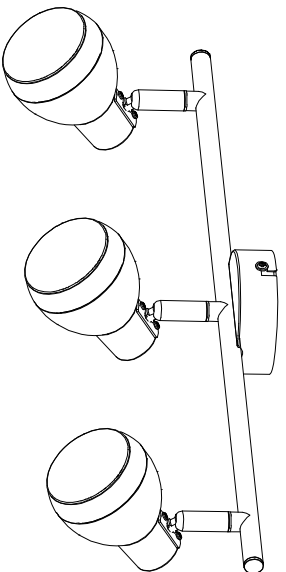
Fr. 7<sup>00</sup> - 17<sup>00</sup>

Paulmann Licht GmbH  
31832 Springe / Germany  
www.paulmann.com

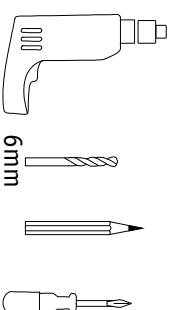
Art.-Nr.:  
**603.66**

(+MA 173)

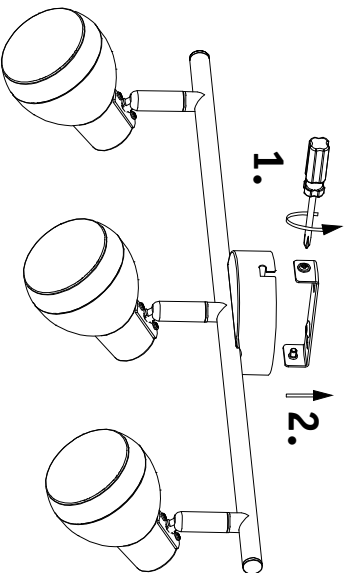
PUP 12/14



incl.

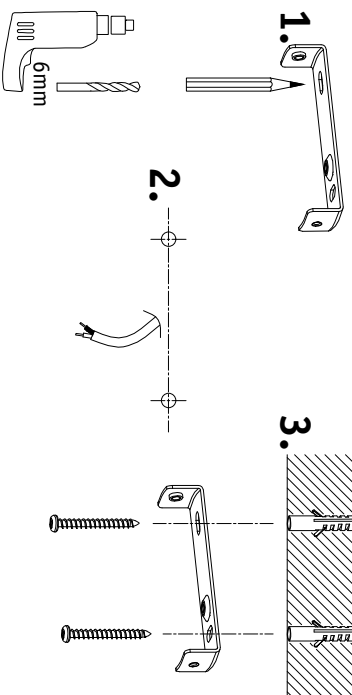


**A**

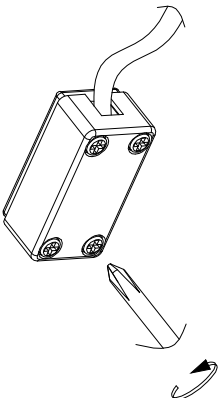


**B**

Safety Instructions  
PNr. 0,1,2

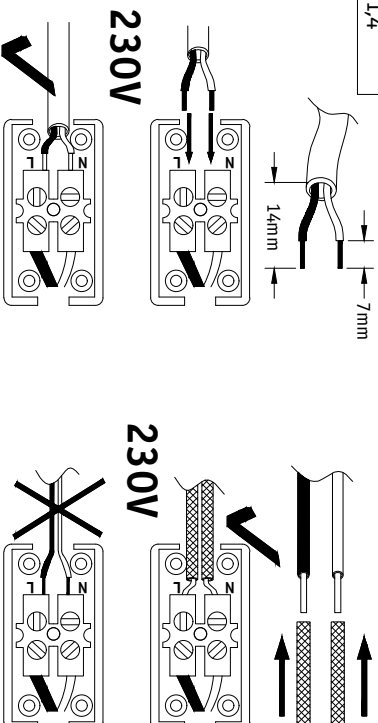


**C**

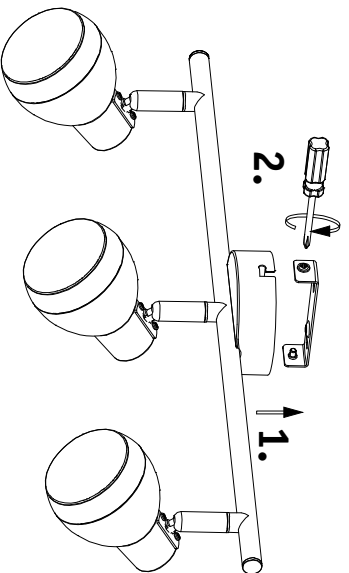


**D**

Safety Instructions  
PNr. 0,1,4



**E**



A,B,E

