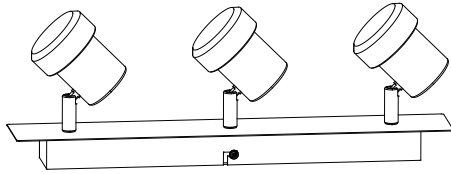


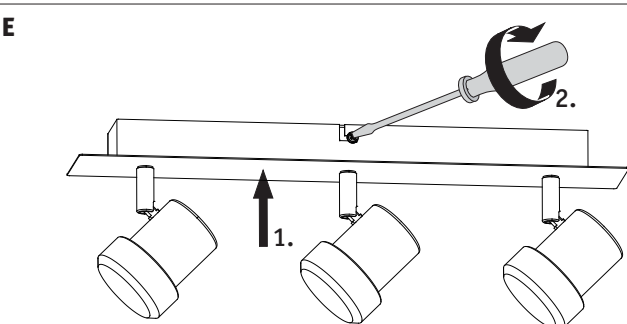
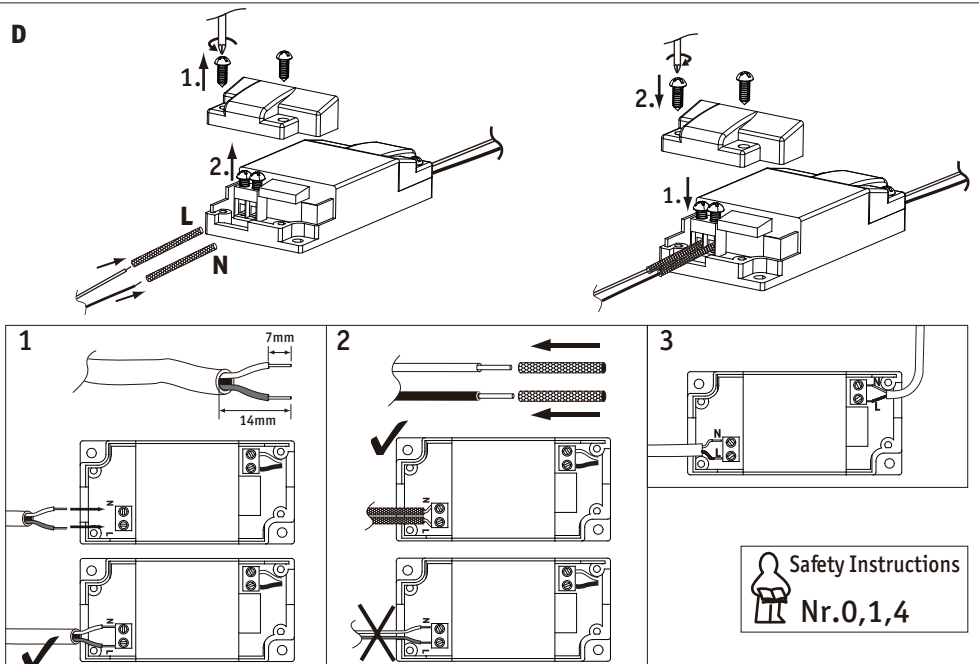
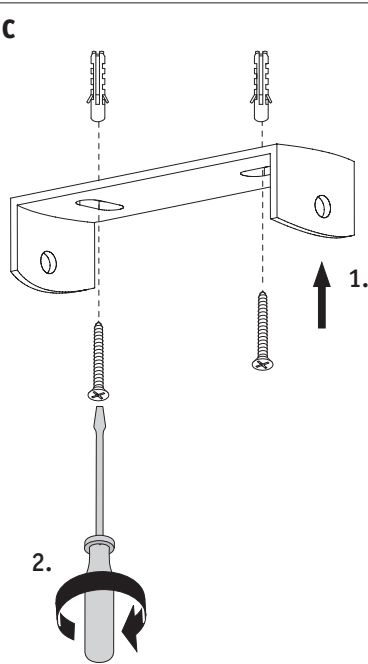
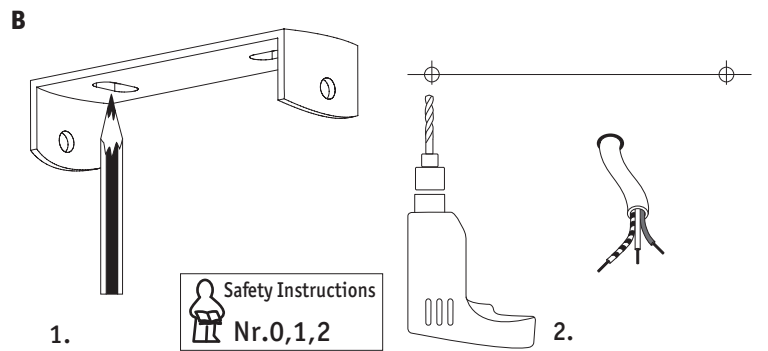
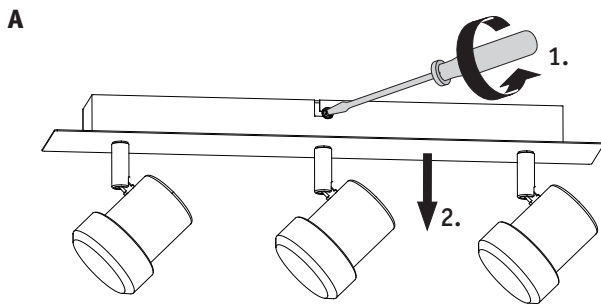
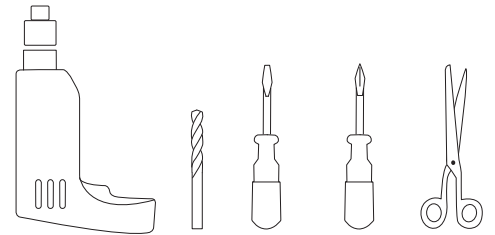
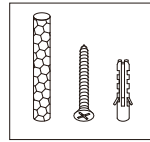


0, 1, 2, 4, 6, 7, 9, 11,
15, 18, 22, 25, 27



1X

Incl.



Safety Instructions
Nr. 0,1

