

## Safety Instructions



0,1,2,3,4,6,7,8,9,11,15,  
18,20,22,25,26,27



Info Hotline

+49 (0) 5041 998 389

Mon. - Do. 7<sup>00</sup> - 20<sup>00</sup>

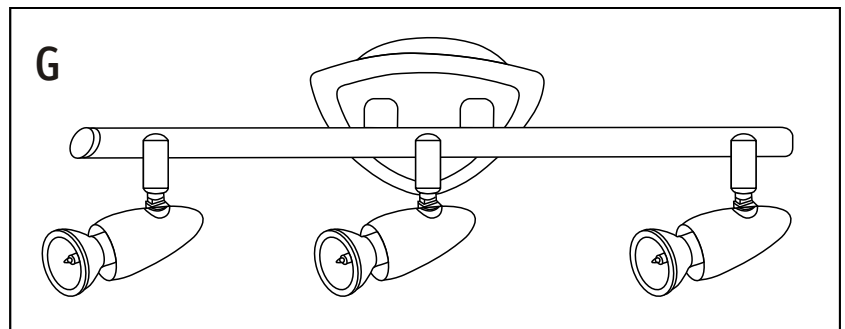
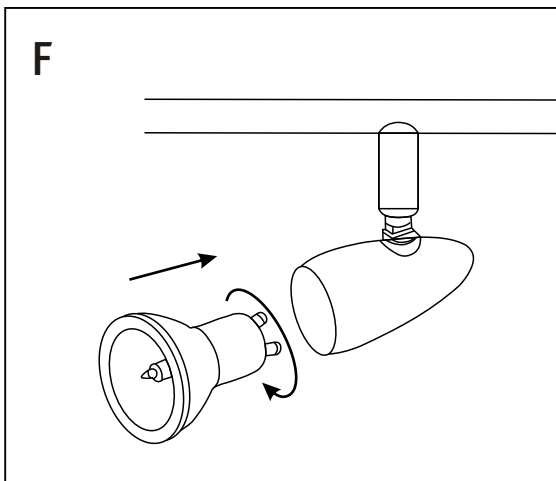
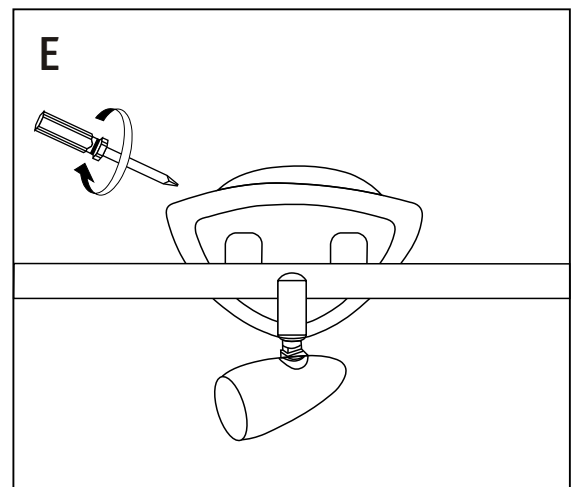
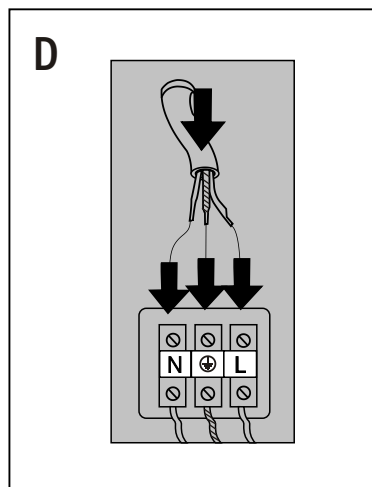
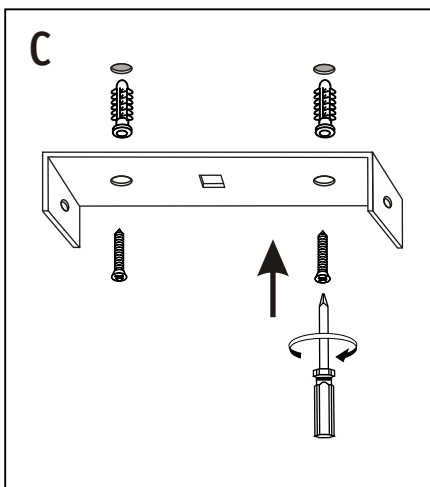
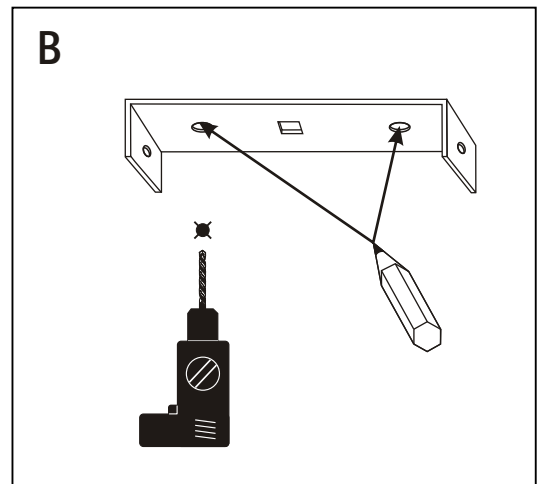
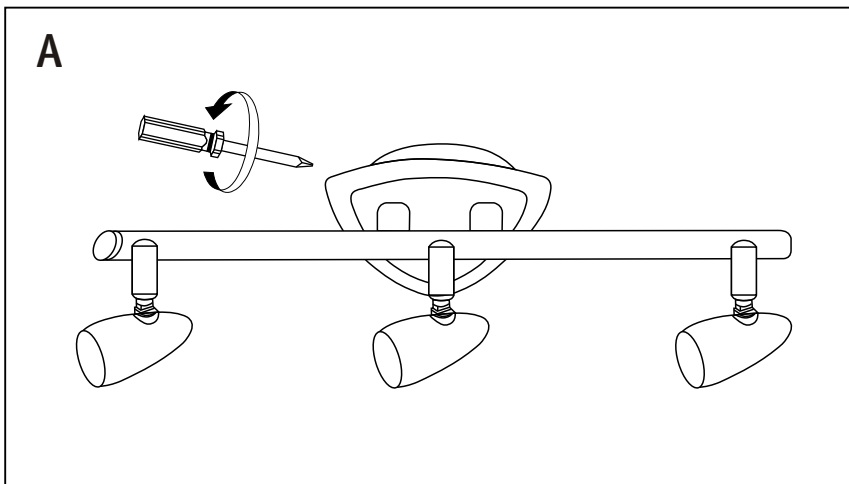
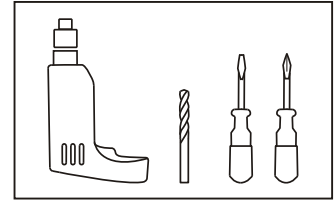
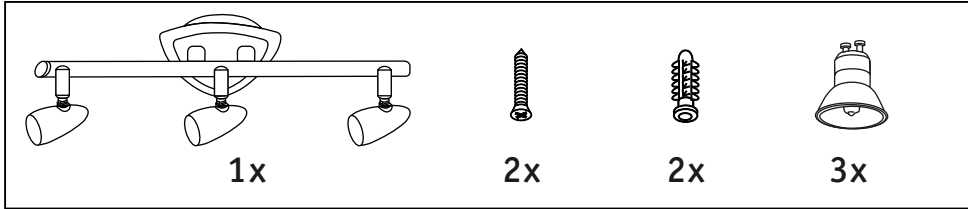
Fr. 7<sup>00</sup> - 17<sup>00</sup>

Paulmann Licht GmbH  
31832 Springe / Germany  
www.paulmann.com

Art.-Nr.:  
**662.09**

(+MA 173)

PBO 11/09



Art.No.:  
50W GU10 836.50