



Safety Instructions



1, 2, 4, 5b, 6, 7, 8, 9, 11, 13, 15, 18, 20, 21, 22, 23, 25, 26, 27,



Info Hotline

+49 (0) 5041 998 389

Mon. - Do. 7⁰⁰ - 20⁰⁰

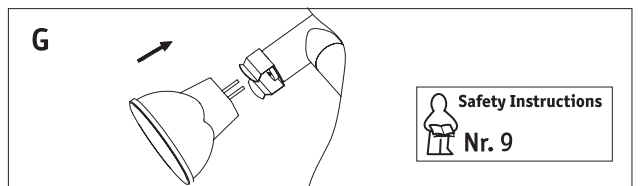
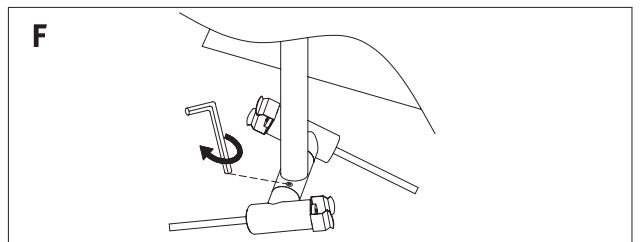
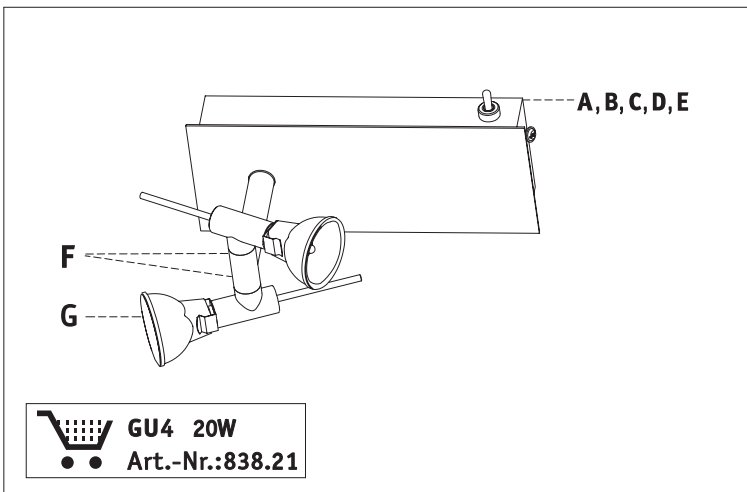
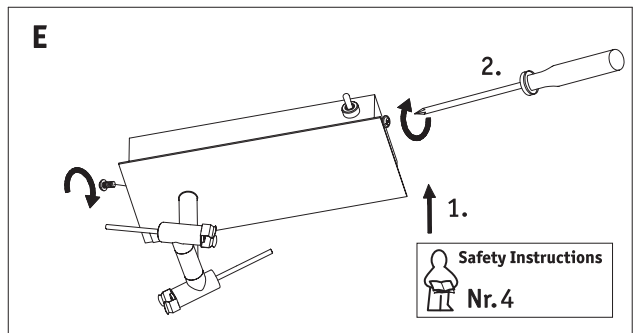
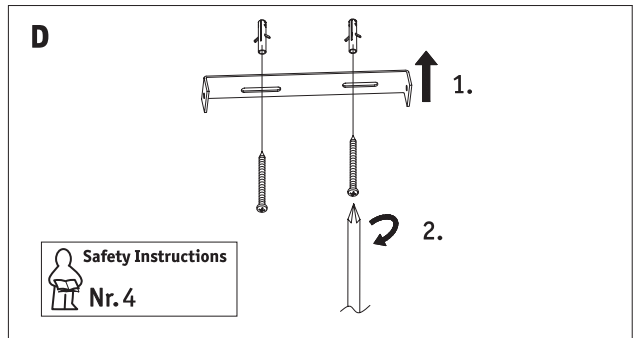
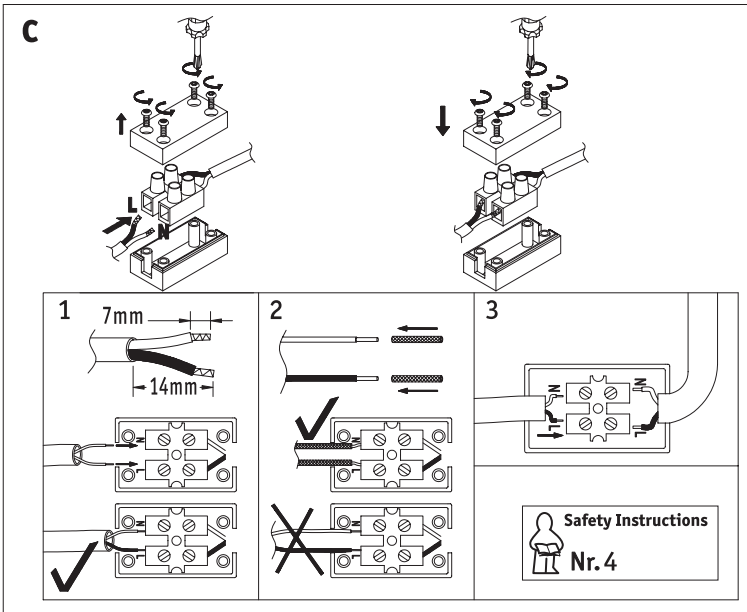
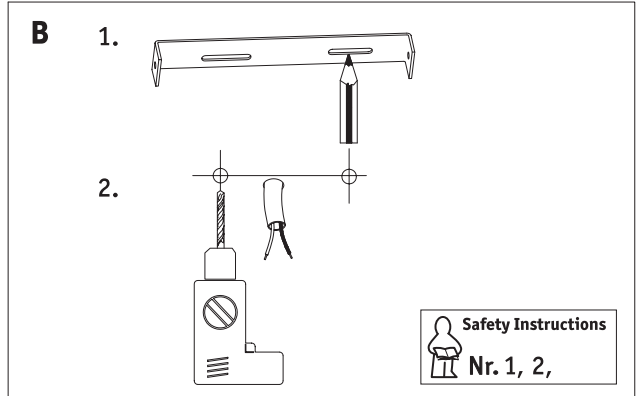
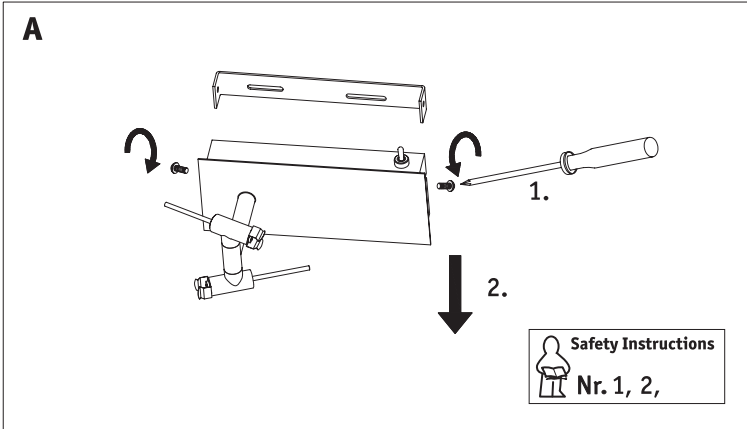
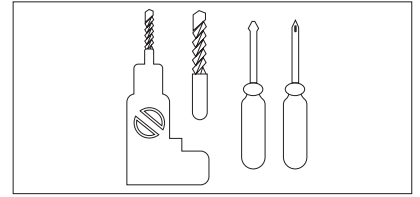
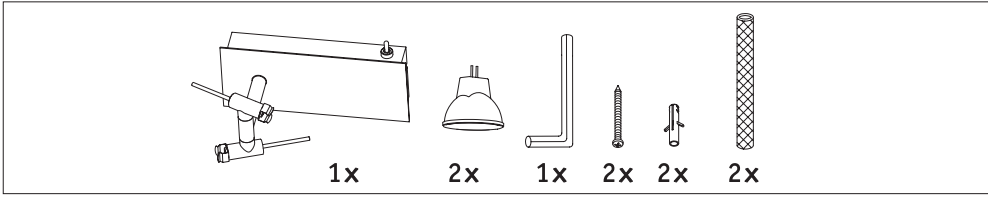
Fr. 7⁰⁰ - 17⁰⁰

Paulmann Licht GmbH
31832 Springe / Germany
www.paulmann.com

Art.-Nr.:
66464

(+MA 173)

PBZ 07/09



GU4 20W
● ● Art.-Nr.:838.21

Safety Instructions
Nr. 9