



Safety Instructions



0, 1, 2, 3, 4, 6, 7, 8, 9,
11, 15, 18, 20, 22, 25,
26, 27,



Info Hotline

+49 (0) 5041 998 389

Mon. - Do. 7⁰⁰ - 20⁰⁰

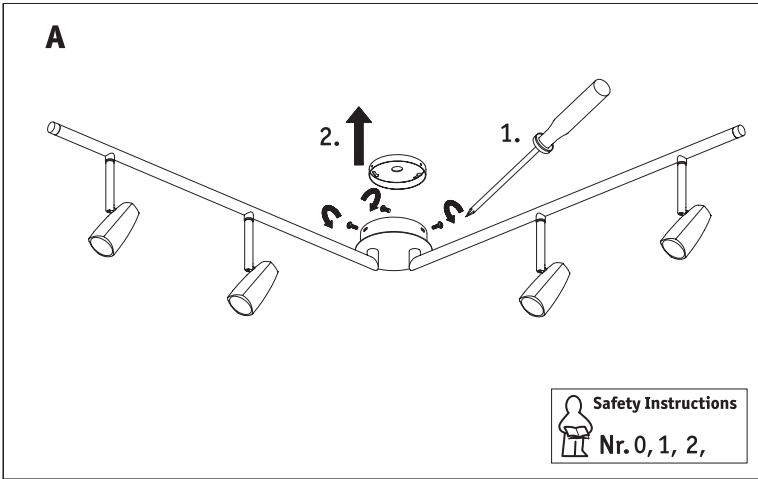
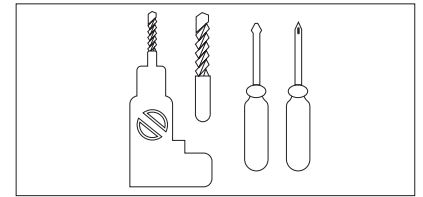
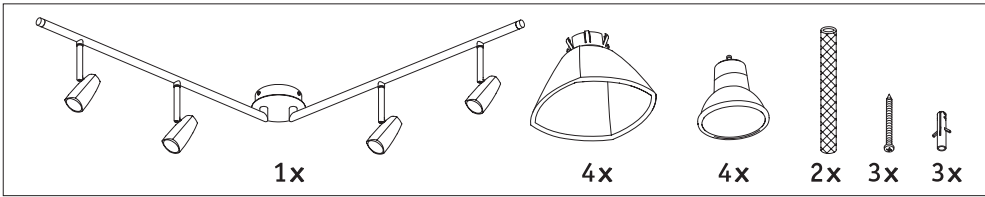
Fr. 7⁰⁰ - 17⁰⁰

Paulmann Licht GmbH
31832 Springe / Germany
www.paulmann.com

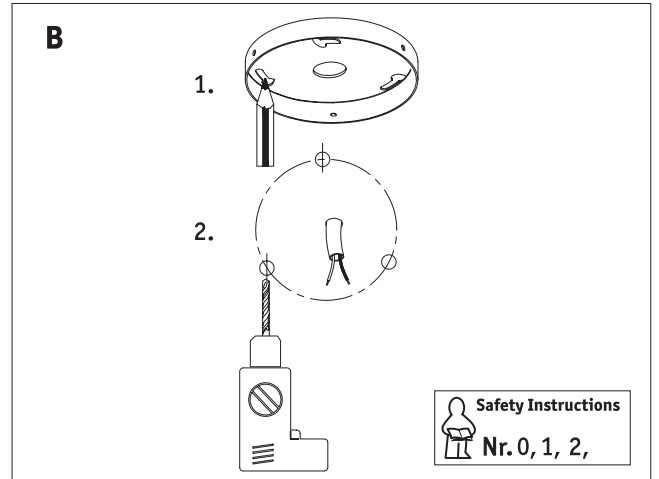
Art.-Nr.:
66470
66471

(+MA 173)

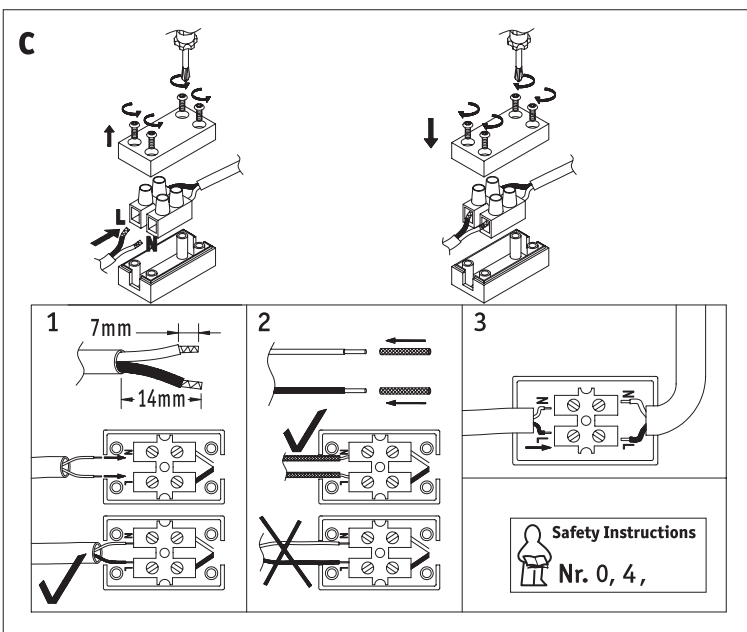
PBZ 07/09



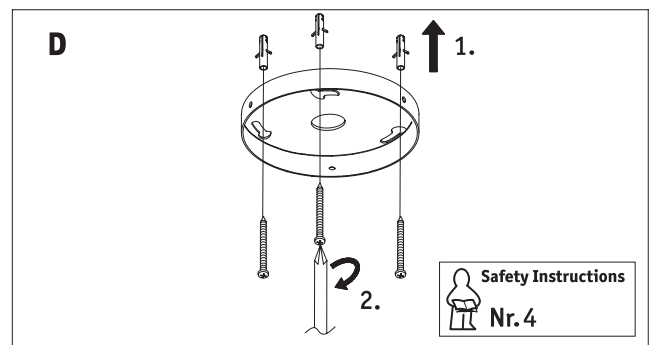
Safety Instructions
Nr. 0, 1, 2,



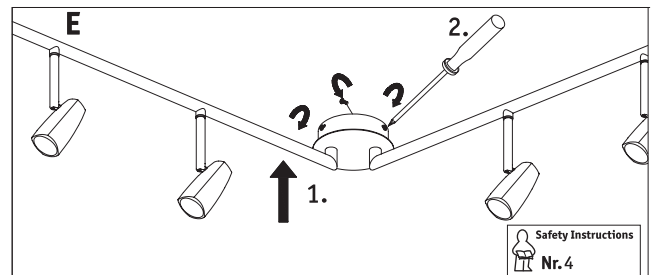
Safety Instructions
Nr. 0, 1, 2,



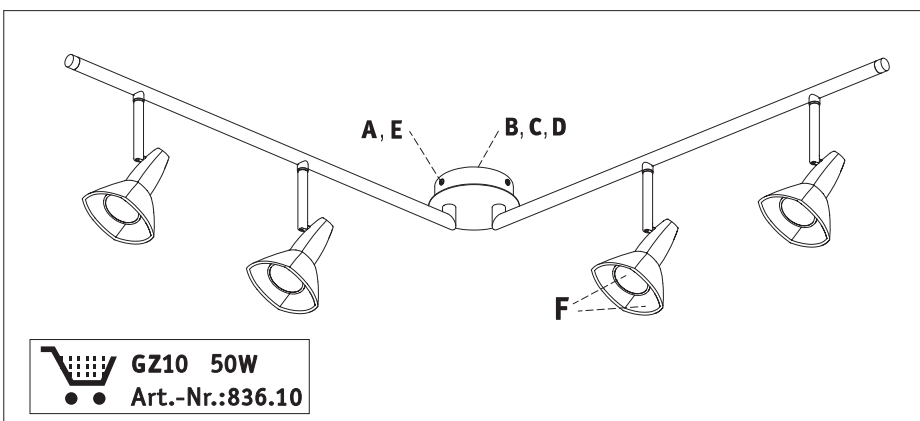
Safety Instructions
Nr. 0, 4,



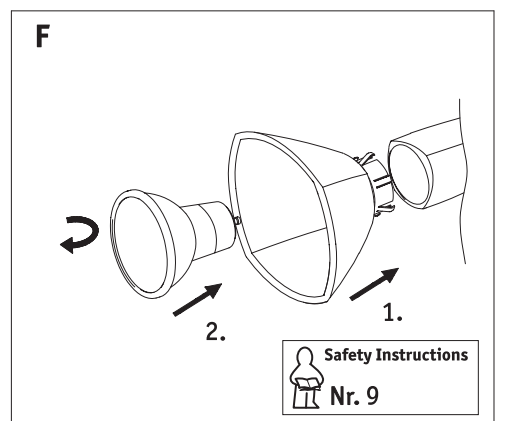
Safety Instructions
Nr. 4



Safety Instructions
Nr. 4



GZ10 50W
●● Art.-Nr.:836.10



Safety Instructions
Nr. 9

