

SAFETY INSTRUCTIONS



SAFETY INSTRUCTIONS

(0, 1, 2, 4, 6, 7, 8, 9, 11, 15, 18, 20, 22, 25)

??
??



PAULMANN LICHT GmbH
Quezinger Feld 2 • D-31832 Springe
www.Paulmann.com

+49 (0) 5041 998 389

7⁰⁰ - 20⁰⁰
Mon. - Fri.



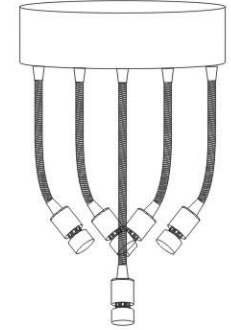
1X



5X9W



5X



1X

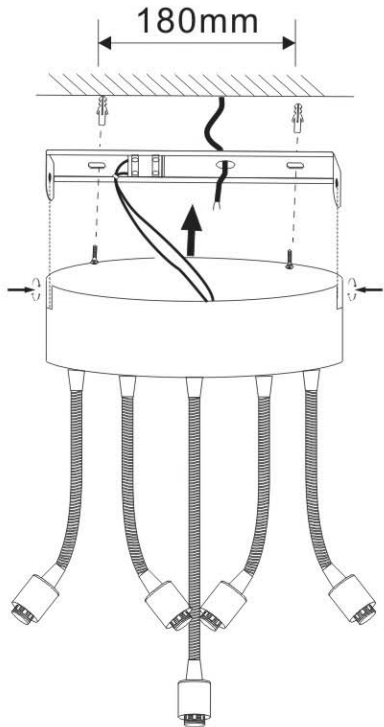


2X

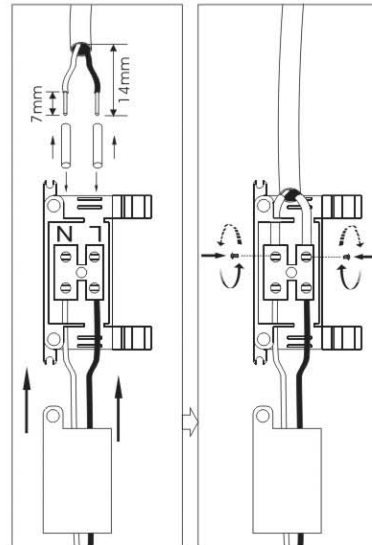


2X

A



B



C



D

