



Safety Instructions



0, 1, 2, 3, 4, 6, 7, 8, 9, 11,
15, 22, 25, 26, 27



Info Hotline **+49 (0) 5041 998 389**

Mon. - Do. 7⁰⁰ - 20⁰⁰

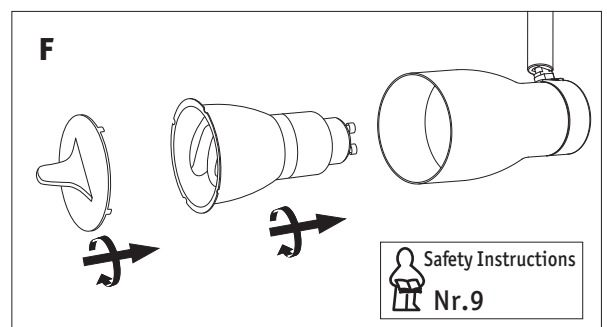
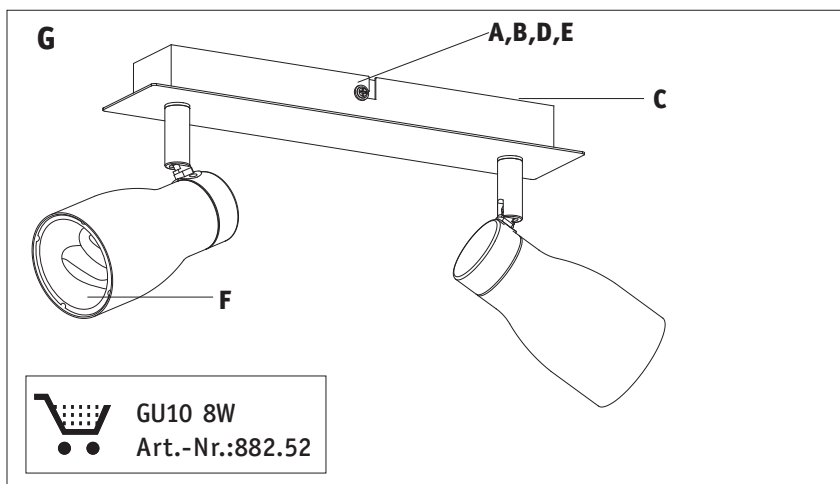
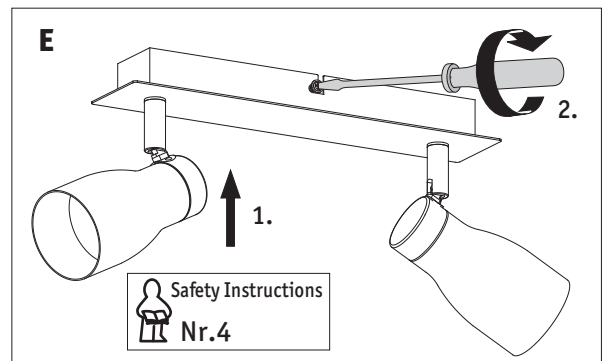
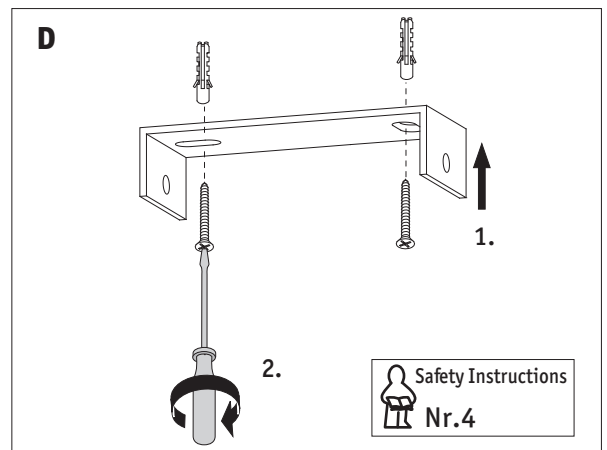
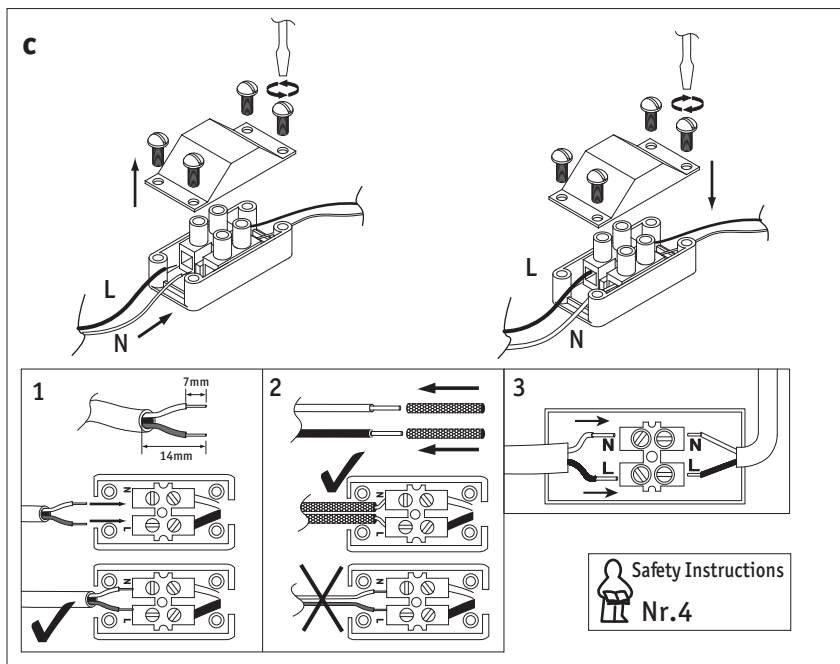
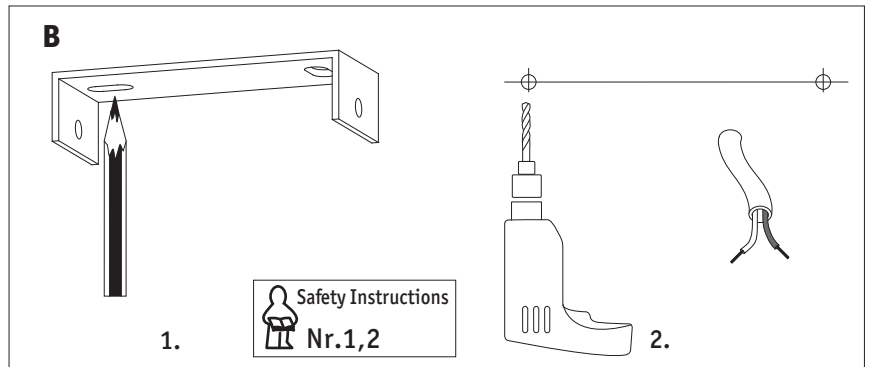
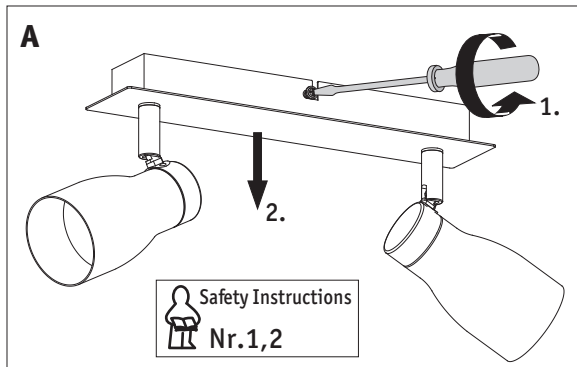
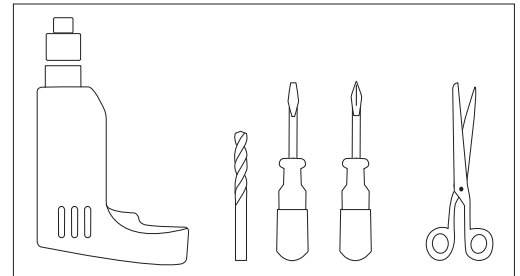
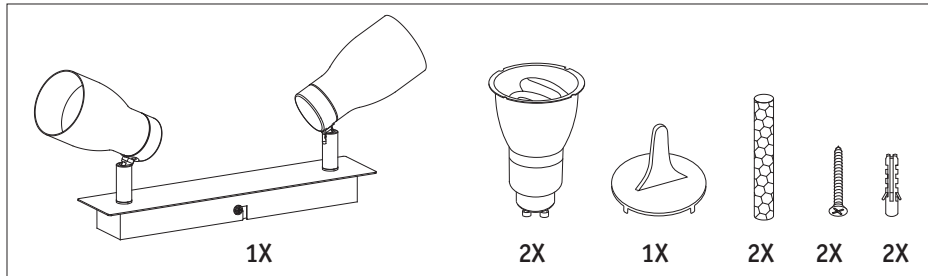
Fr. 7⁰⁰ - 17⁰⁰

Paulmann Licht GmbH
31832 Springe / Germany
www.paulmann.com

Art.-Nr.:
66584

(+MA 173)

PEA 06/09



GU10 8W
Art.-Nr.:882.52

Safety Instructions
Nr. 9