



Safety Instructions



0, 1, 2, 4, 6, 7, 8, 9, 11, 15,
22, 25, 27



Info Hotline

+49 (0) 5041 998 389

Mon. - Do. 7⁰⁰ - 20⁰⁰

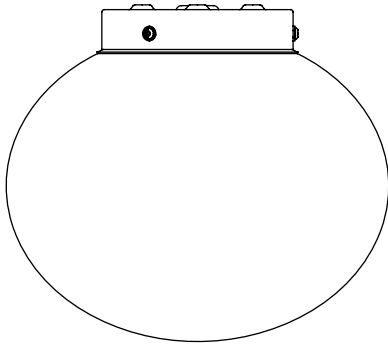
Fr. 7⁰⁰ - 17⁰⁰

Paulmann Licht GmbH
31832 Springe/Germany
www.paulmann.com

Art.-Nr.:
70139

(+MA 173)

PSP 03/10



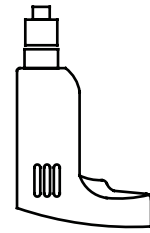
Incl.



3X

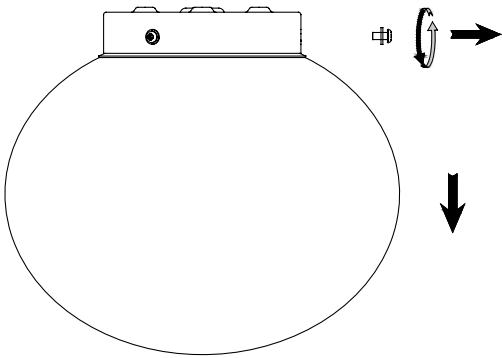
3X

2X



A

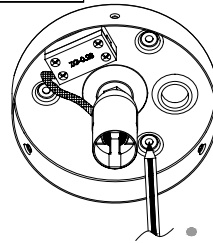
Safety Instructions
Nr.0,1



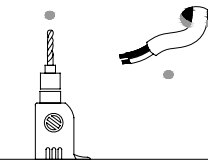
B

Safety Instructions
Nr.0,1

1.



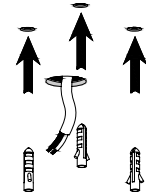
2.



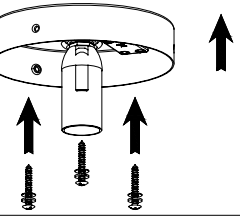
C

Safety Instructions
Nr.0,1,2

1.

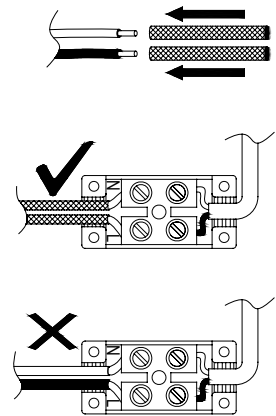
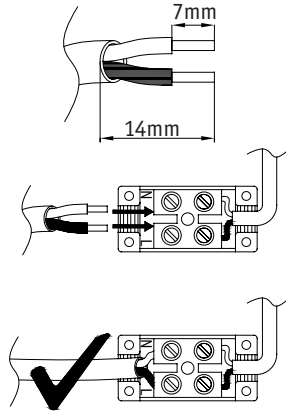
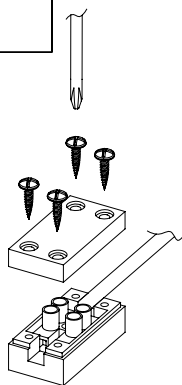


2.



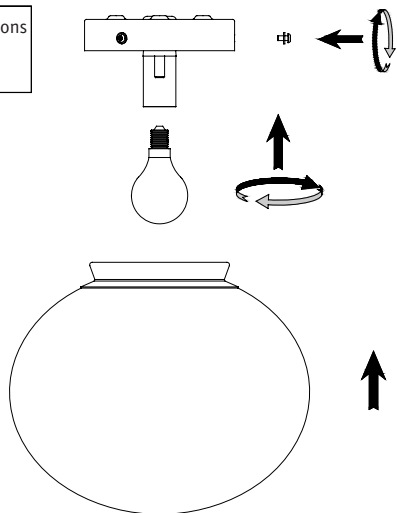
D

Safety Instructions
Nr.0,1,4



E

Safety Instructions
Nr.0,1



F

A,B,C,D,E

E

