



0, 1, 2, 4, 6, 7, 8, 9, 11, 15,  
22, 25, 27



Info Hotline 

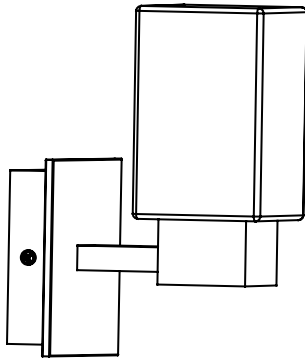
+49 (0) 5041 998 389  
Mon. - Do. 7<sup>00</sup> - 20<sup>00</sup>  
Fr. 7<sup>00</sup> - 17<sup>00</sup>

Paulmann Licht GmbH  
31832 Springe/Germany  
www.paulmann.com

Art.-Nr.:  
70143

(+MA 173)

PSP 03/10



Incl.



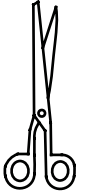
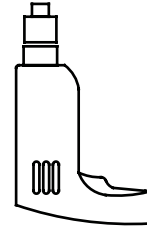
2x



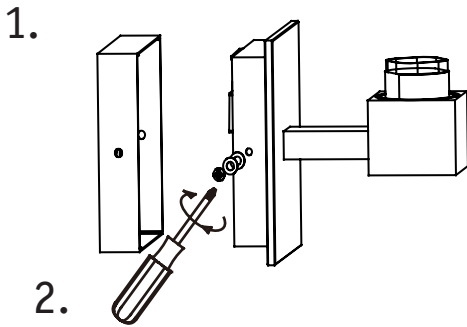
2x



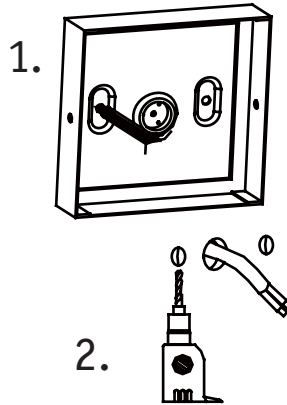
2x



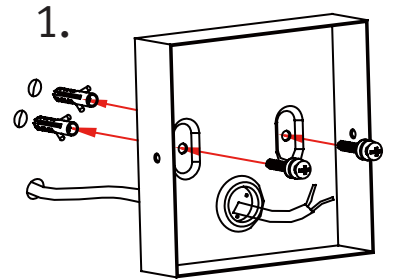
### A Safety Instructions Nr.0,1



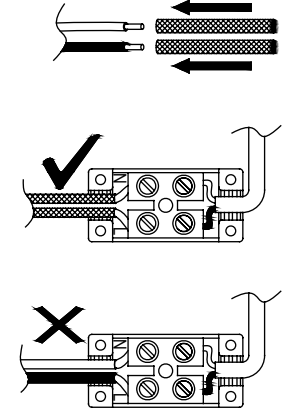
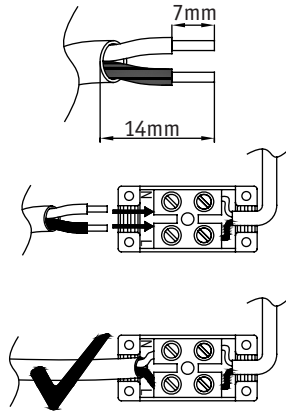
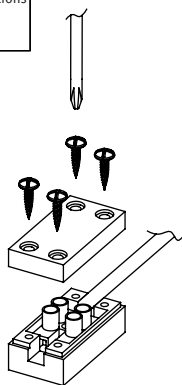
### B Safety Instructions Nr.0,1



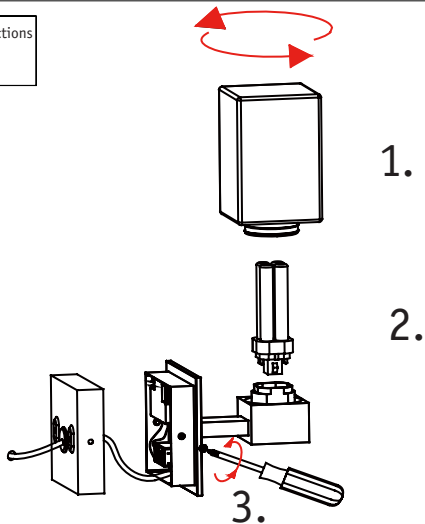
### C Safety Instructions Nr.0,1,2



### D Safety Instructions Nr.0,1,4



### E Safety Instructions Nr.0,1



### F

