



6,8,11,22



Info Hotline **+49 (0) 5041 998 389**

Mon. - Do. 7⁰⁰ - 20⁰⁰

Fr. 7⁰⁰ - 17⁰⁰

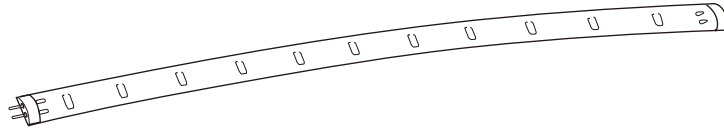
Paulmann Licht GmbH
31832 Springe / Germany
www.paulmann.com

Art.-Nr.:

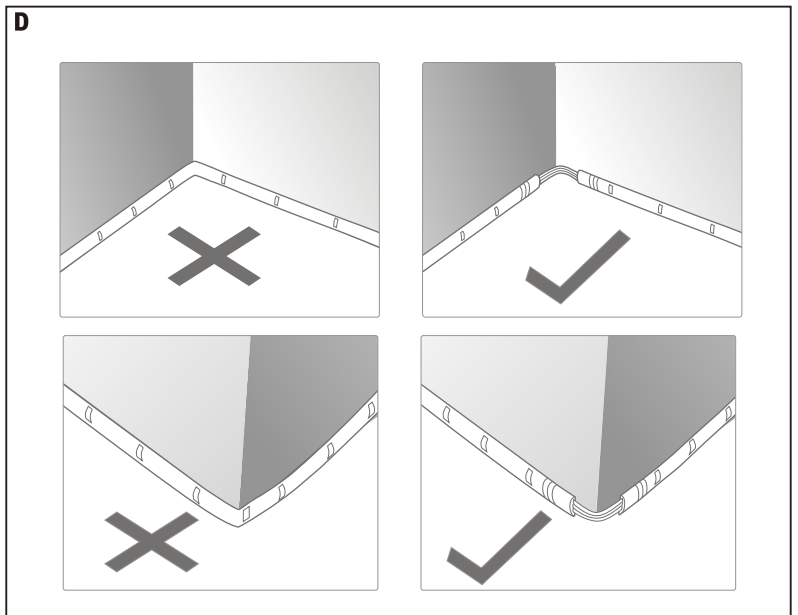
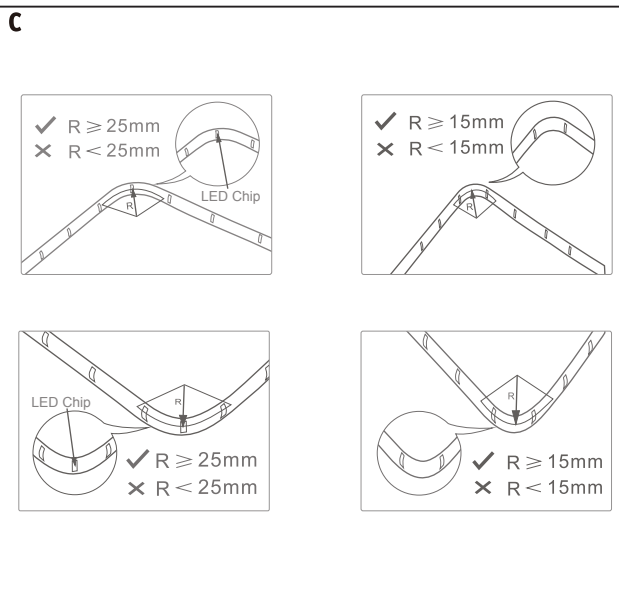
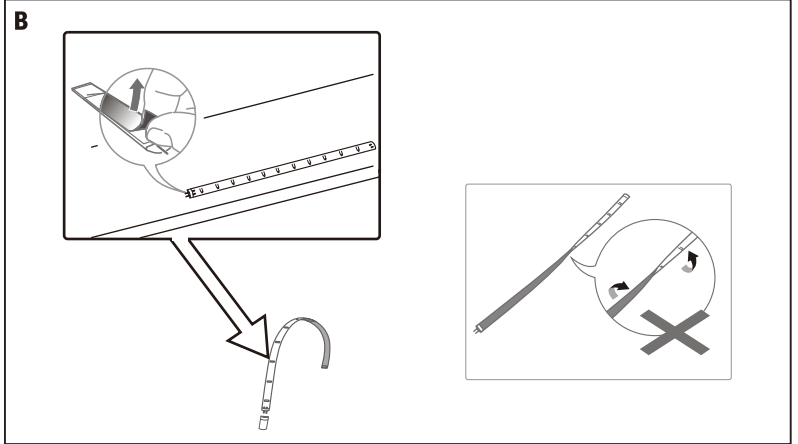
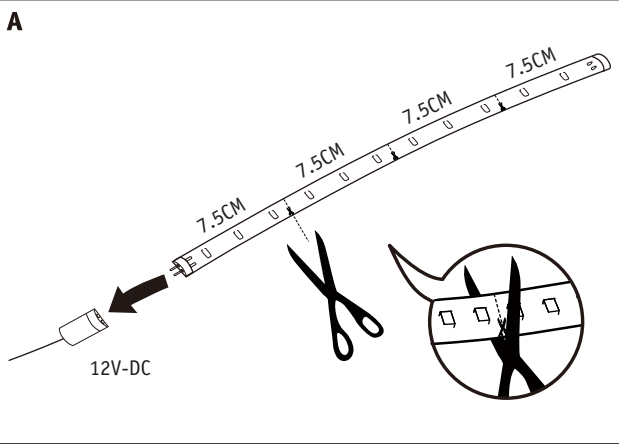
701.92

(+MA 173)

PSE 08/10



1x



12V-DC 