

P

Paulmann

Safety Instructions



0,1,2,4,6,7,8,9,11,
15,18,22,25,26,27



Info Hotline

+49 (0) 5041 998 389

Mon.-Do. 7⁰⁰-20⁰⁰

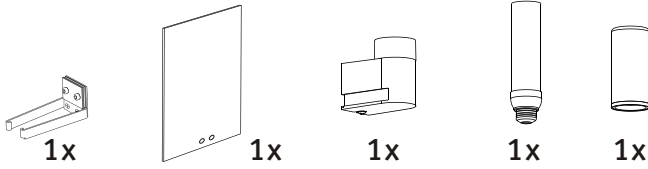
Fr. 7⁰⁰-17⁰⁰

Paulmann Licht GmbH
31832 Springe / Germany
www.paulmann.com

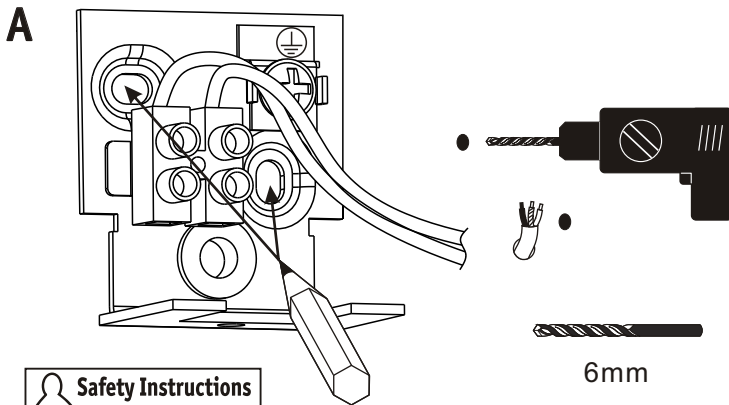
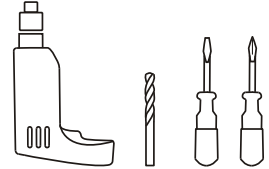
Art.-Nr.:
701.94
701.95

(+MA 173)

PBO 10/10



incl.



Safety Instructions
Nr.0,1,2

