



Safety Instructions

0,1,4,6,7,8,9,10,15,20,24,
25,26,27

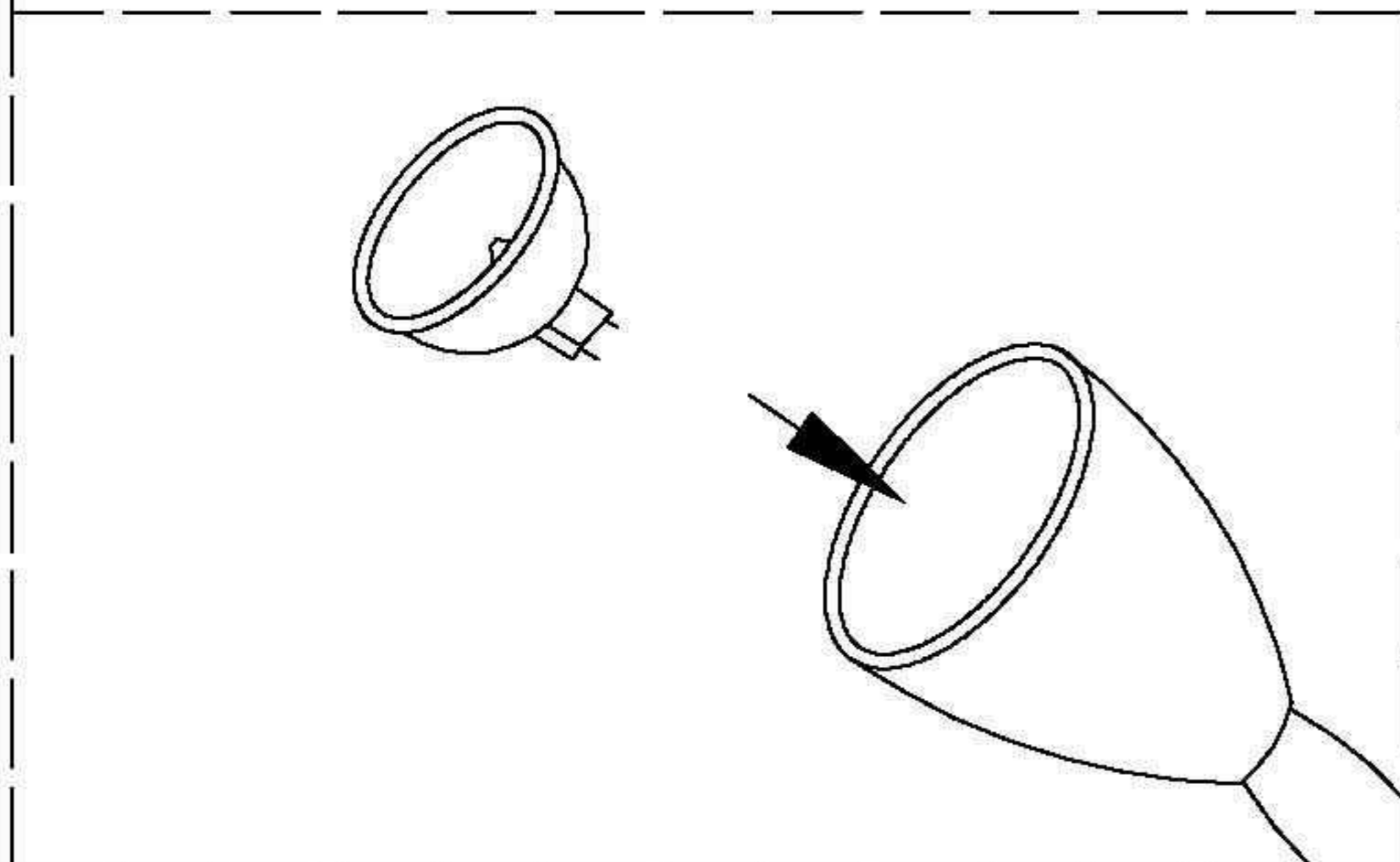
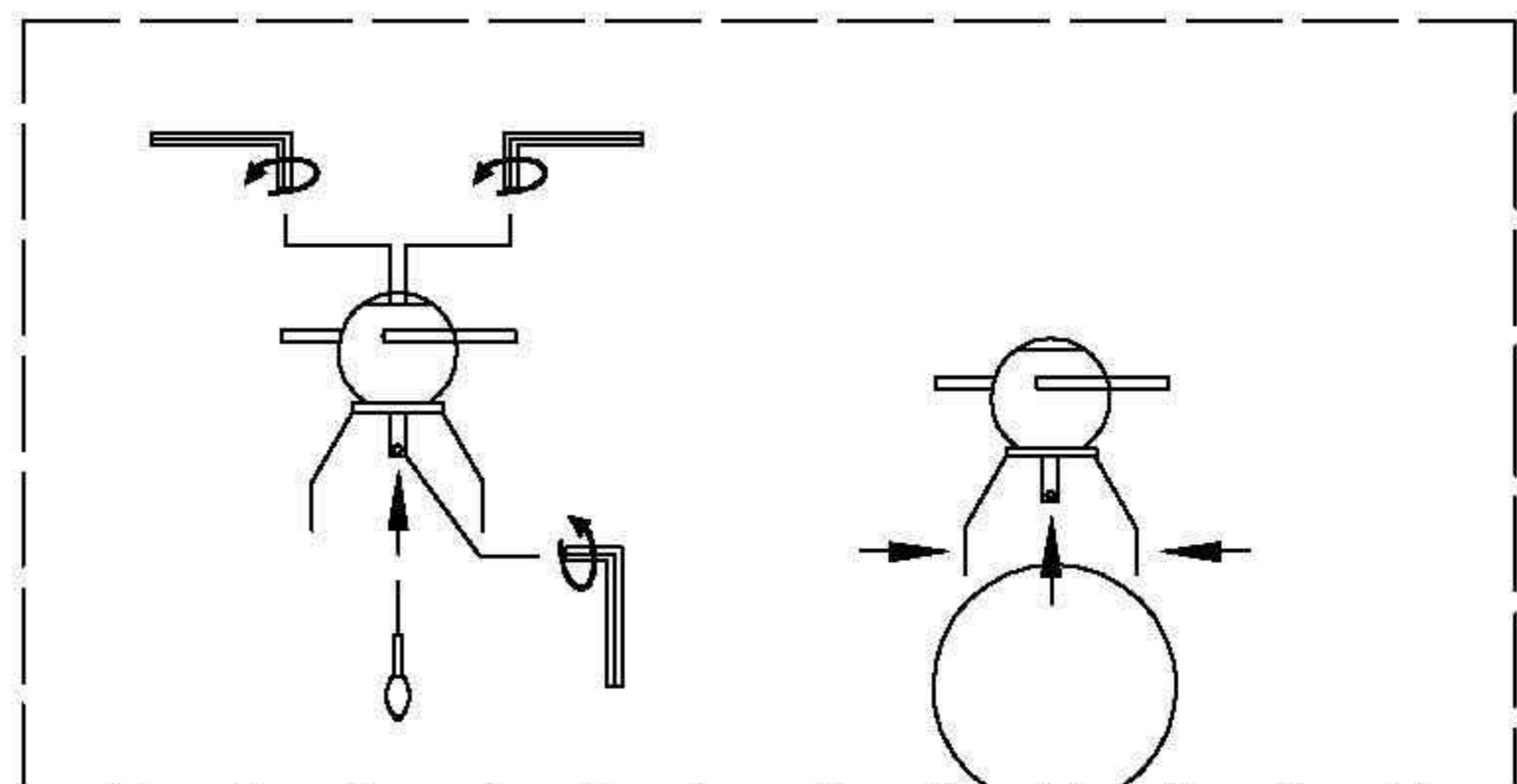
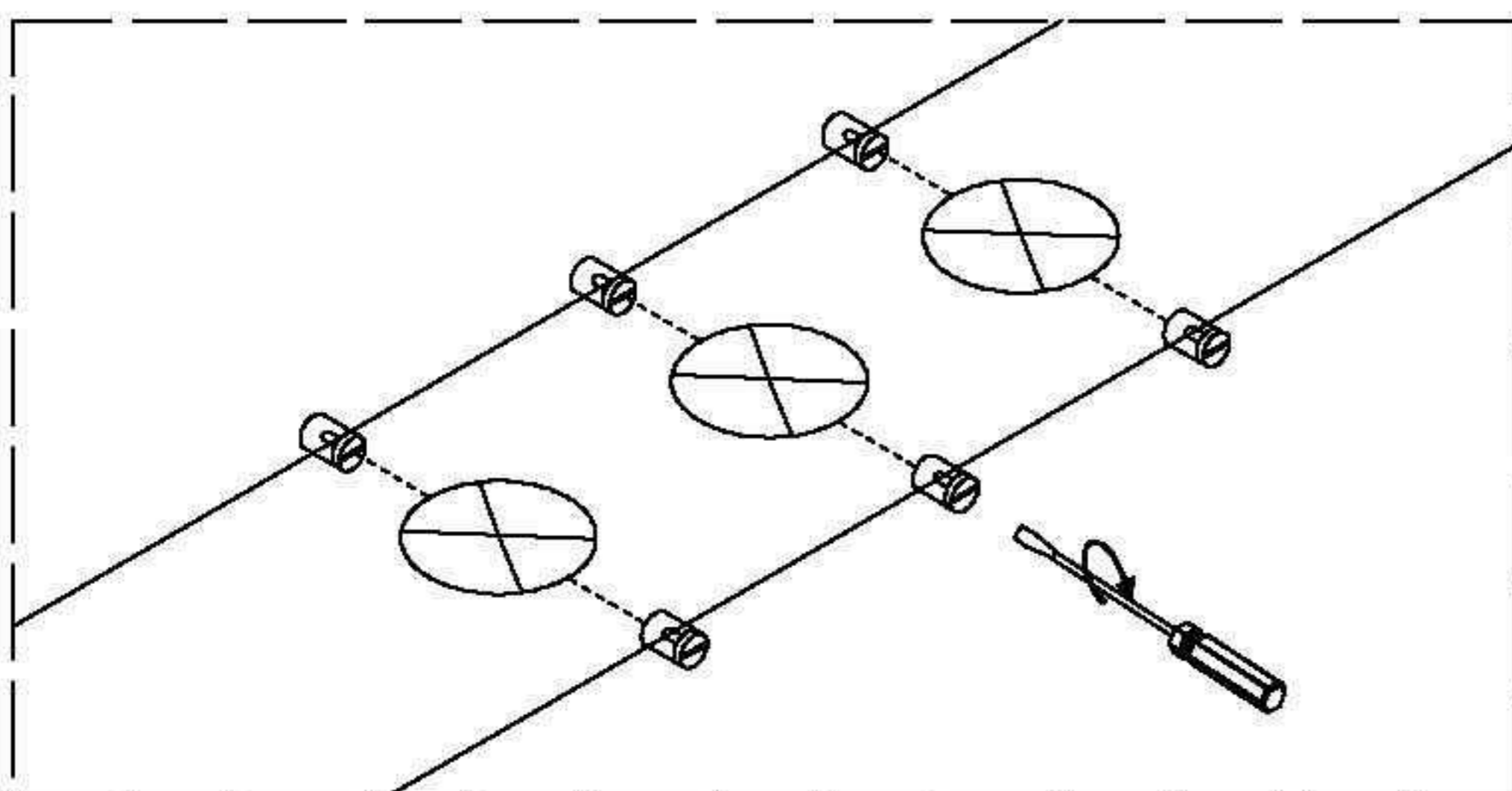
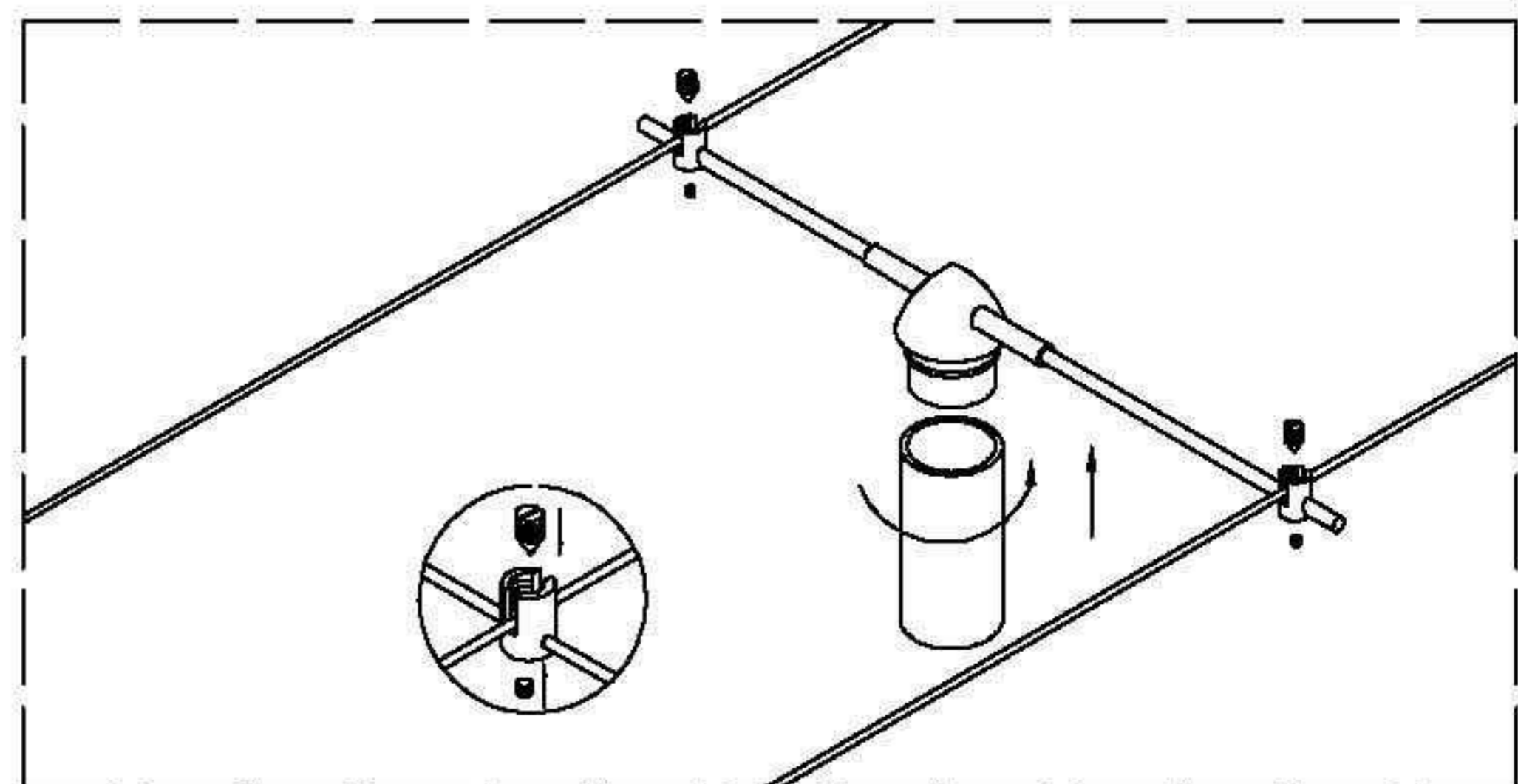
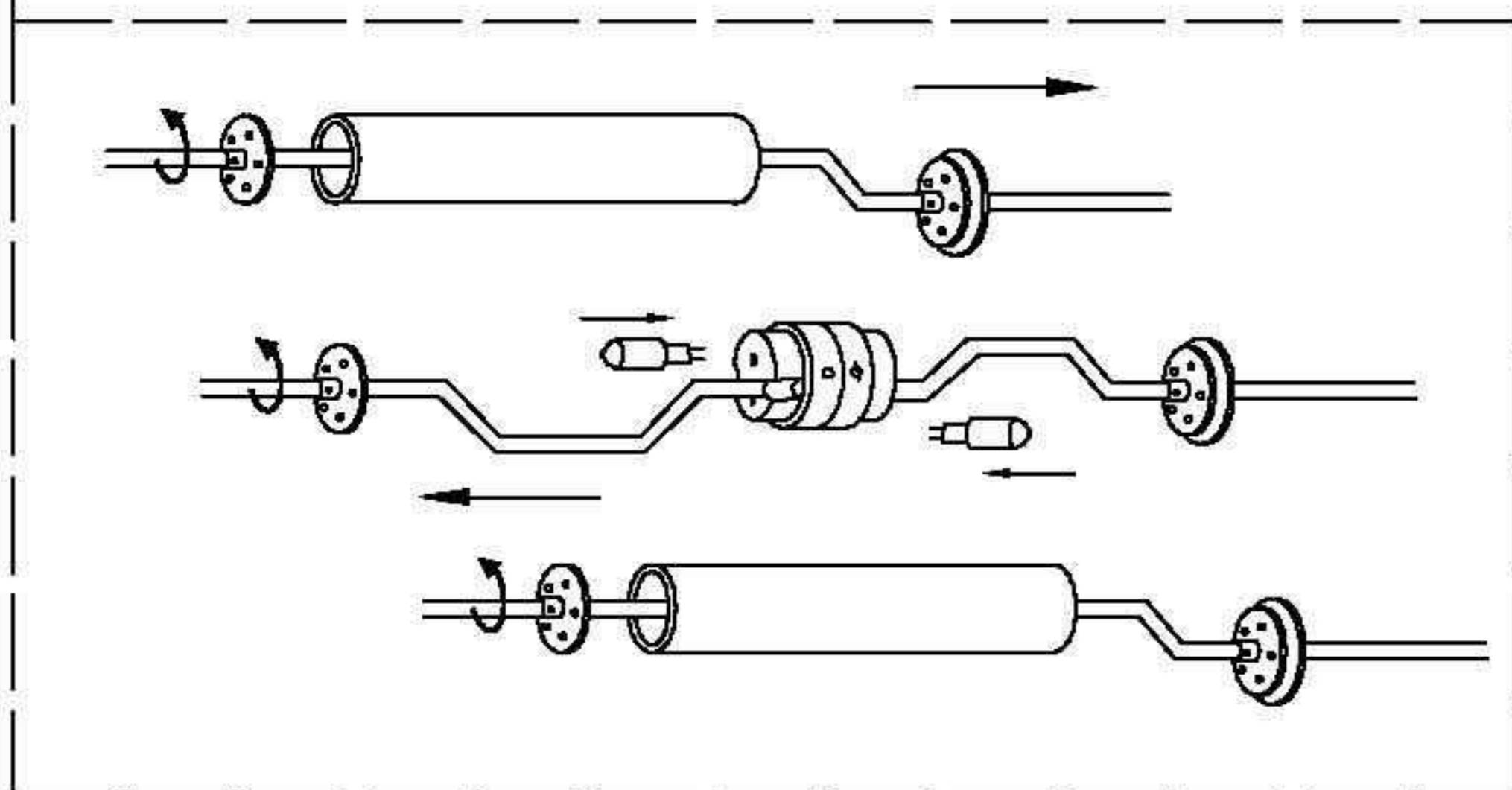
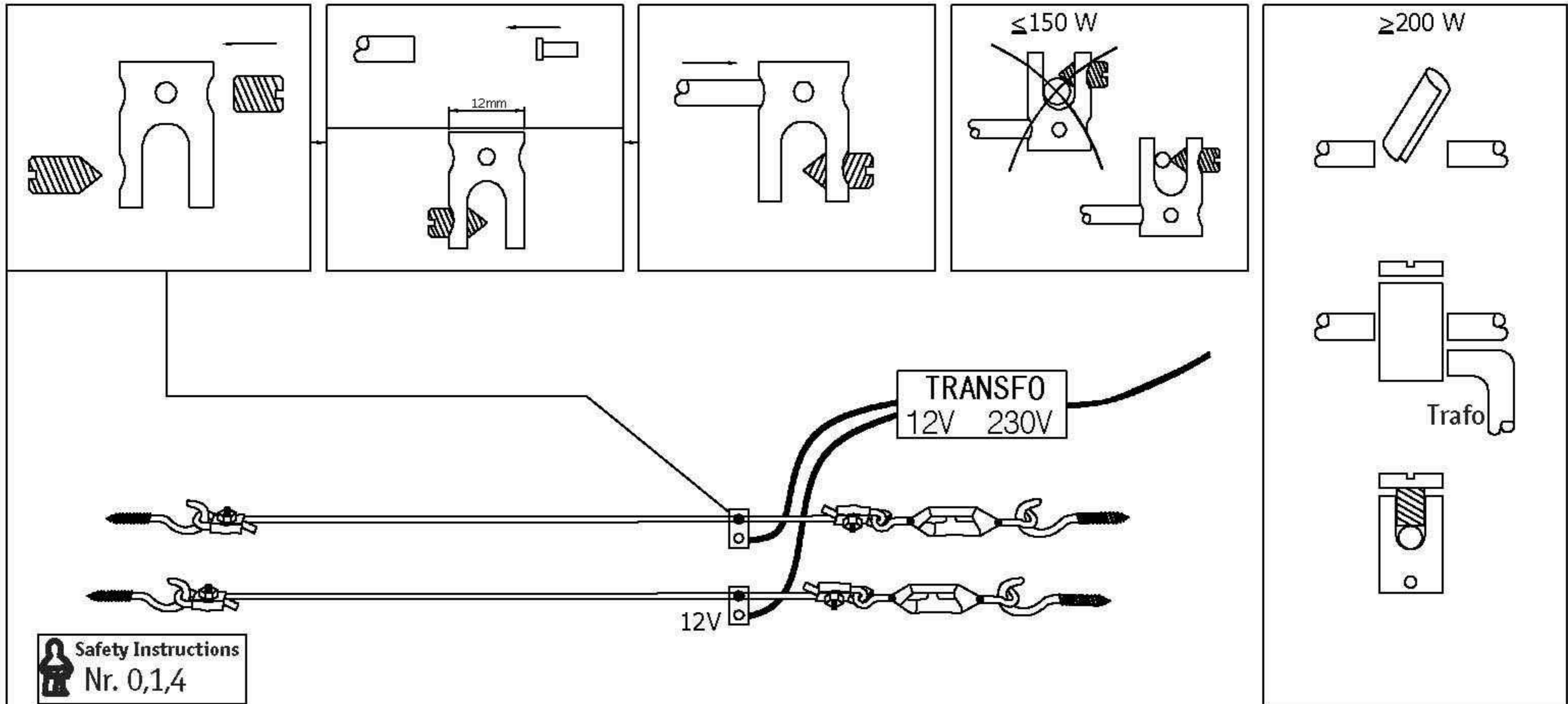
Info Hotline

+49 (0) 5041 998 389
Mon. - Do. 7⁰⁰ - 20⁰⁰
Fr. 7⁰⁰ - 17⁰⁰

Paulmann Licht GmbH
31832 Springe / Germany
www.paulmann.com

Art. Nr. :
02A01
v01 -50
7000225

(+MA 173)
PCK 07/09





Safety Instructions



0,1,4,6,7,8,9,10,15,20,24,
25,26,27



Info Hotline

+49 (0) 5041 998 389

Mon. - Do. 7⁰⁰ - 20⁰⁰

Fr. 7⁰⁰ - 17⁰⁰



Paulmann Licht GmbH
31832 Springe / Germany
www.paulmann.com

Art. Nr.:
02A01
v01 -50
7000225

(+MA 173)
PCK 07/09

