

Safety Instructions 



0,1,2,3,4,5a,6,7,8,9,
10,11,12,13,14,15,16,
20,21,22,23,24,26



Info Hotline

+49 (0) 5041 998 389

Mon. - Do. 7⁰⁰ - 20⁰⁰

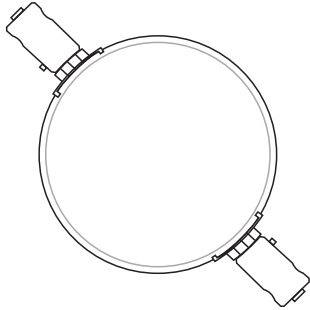
Fr. 7⁰⁰ - 17⁰⁰

Paulmann Licht GmbH
31832 Springe / Germany
www.paulmann.com

Art.-Nr.:
7062

(+MA 173)

PH 01/10



1x

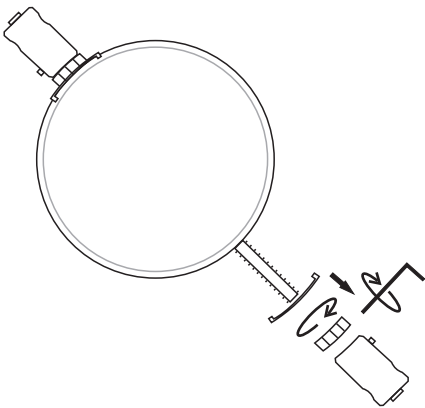


2x

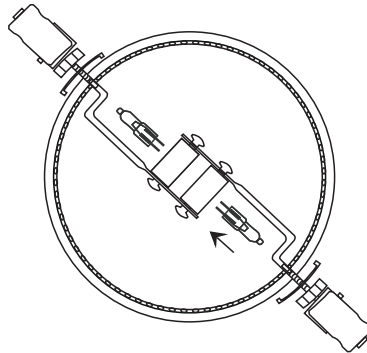
incl.



A



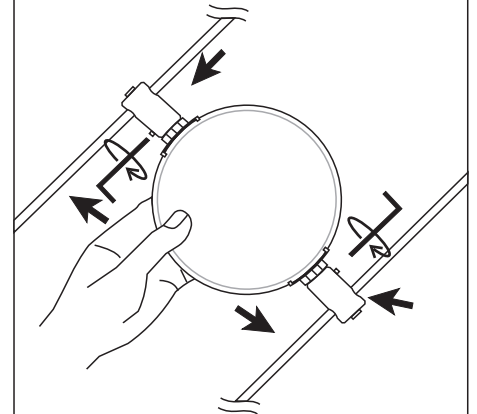
B



Safety Instructions

Nr.7,8

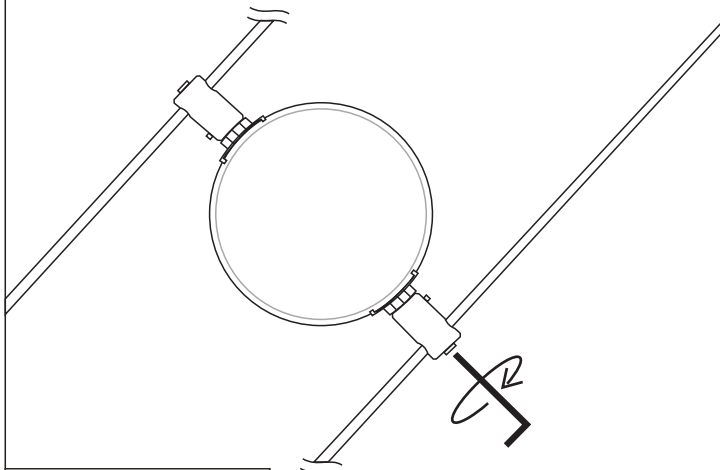
C



Safety Instructions

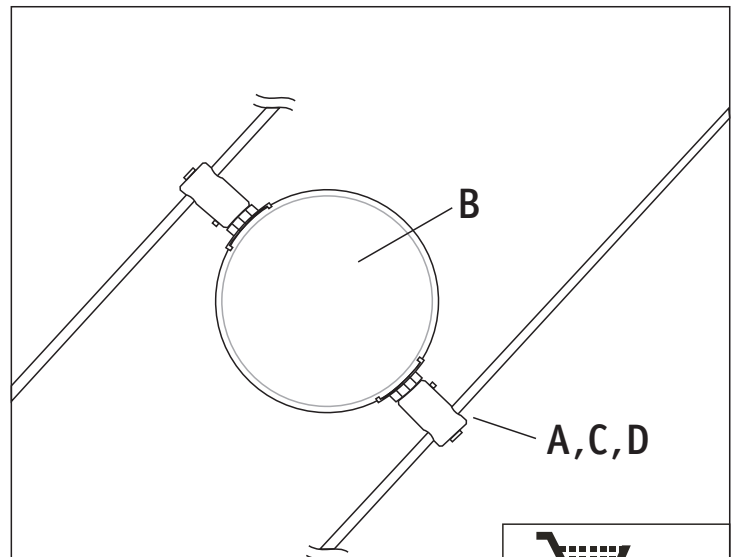
Nr.0,4

D



Safety Instructions

Nr.0,4



10W 9mm G4

Art.No.
831.109
831.15