



Safety Instructions



0, 1, 2, 4, 6, 8, 9, 11, 15,
22, 26, 27, 28



Info Hotline **+49 (0) 5041 998 389**

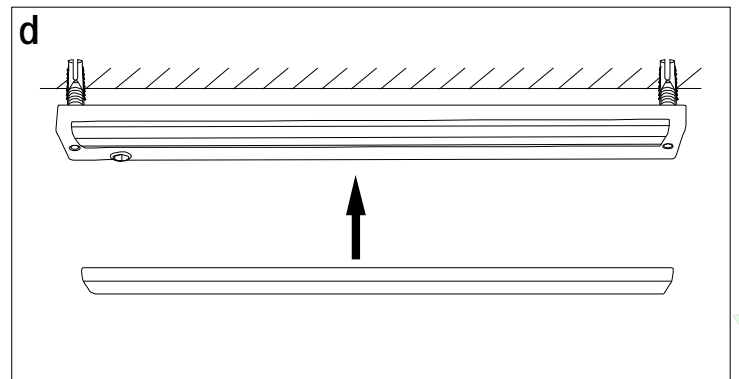
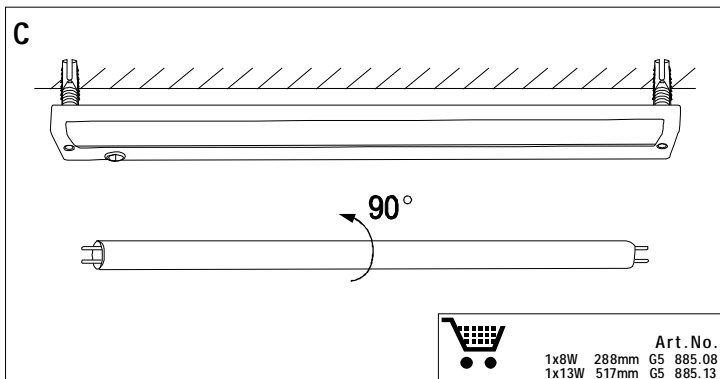
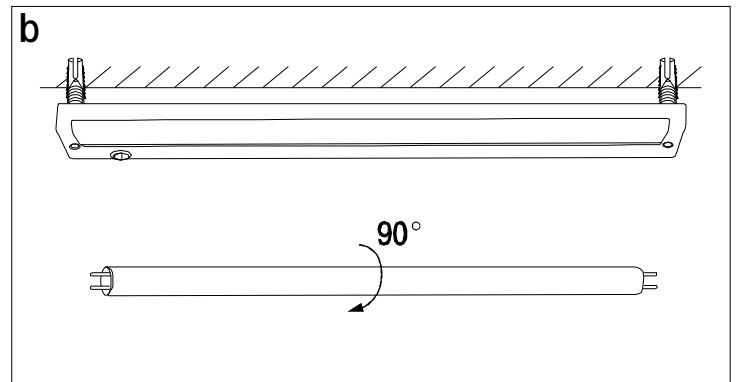
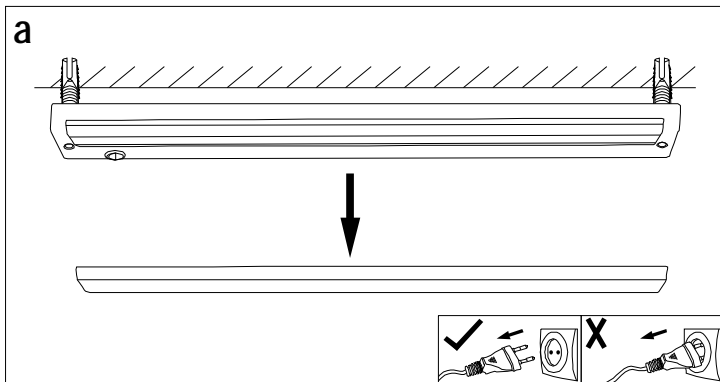
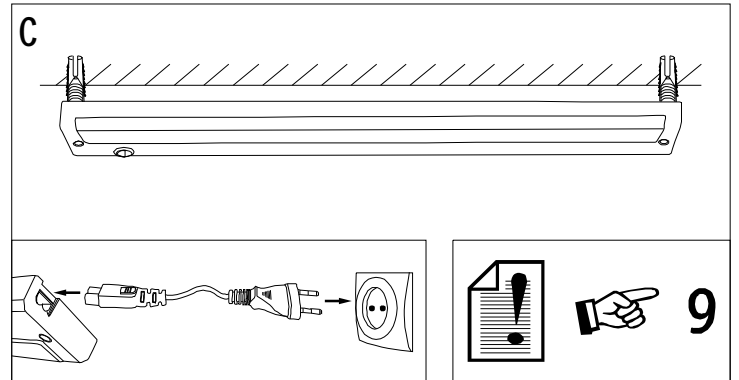
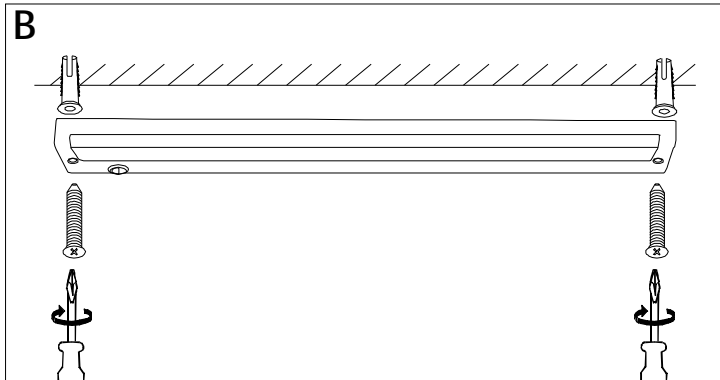
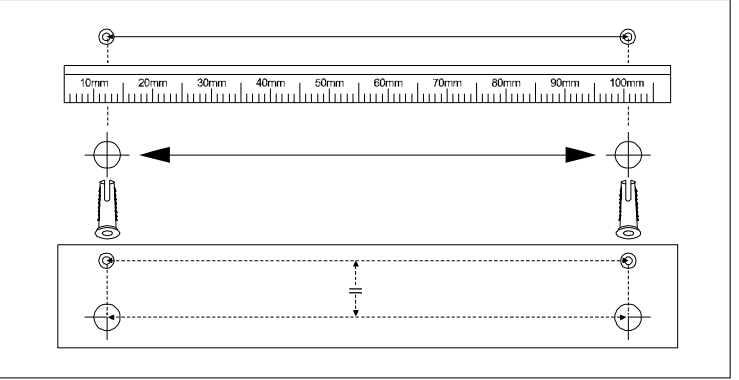
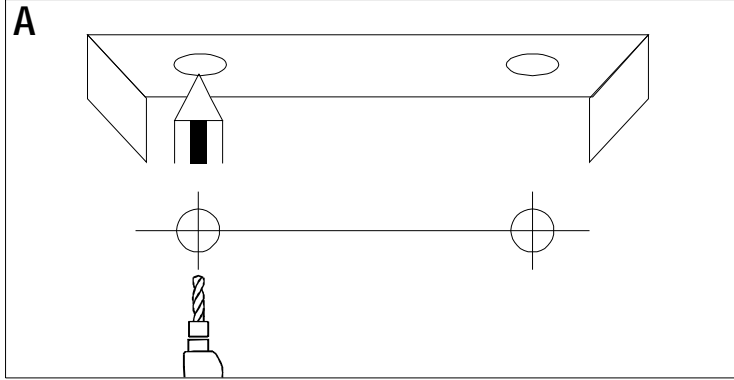
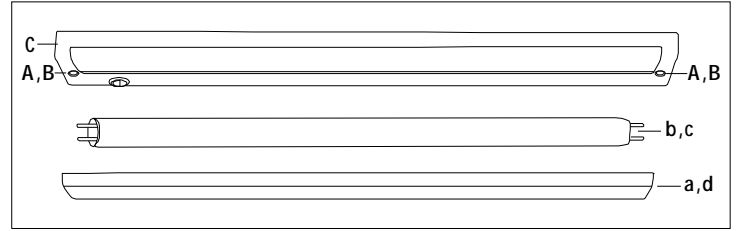
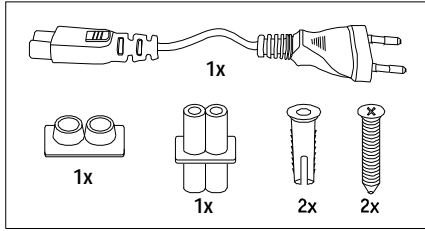
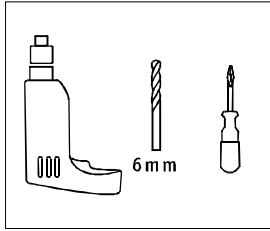
Mon. - Do. 7⁰⁰ - 20⁰⁰
Fr. 7⁰⁰ - 17⁰⁰

Paulmann Licht GmbH
31832 Springe / Germany
www.paulmann.com

Art.-Nr.:

750.03
750.08
750.09
750.13

(+MA 173)
PPH 06/09



Art.No.
1x8W 288mm G5 885.08
1x13W 517mm G5 885.13

